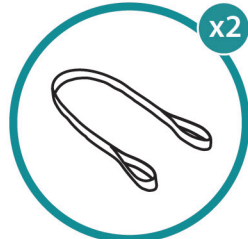
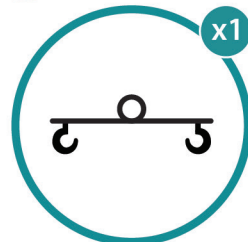
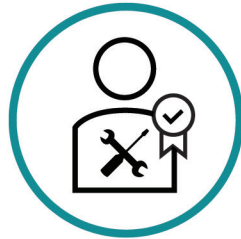


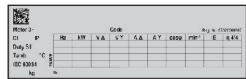


e-SVI hydrovar X Series

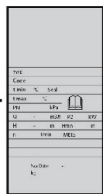
Electric pump with integrated variable
speed drive
SVIK, SVIX

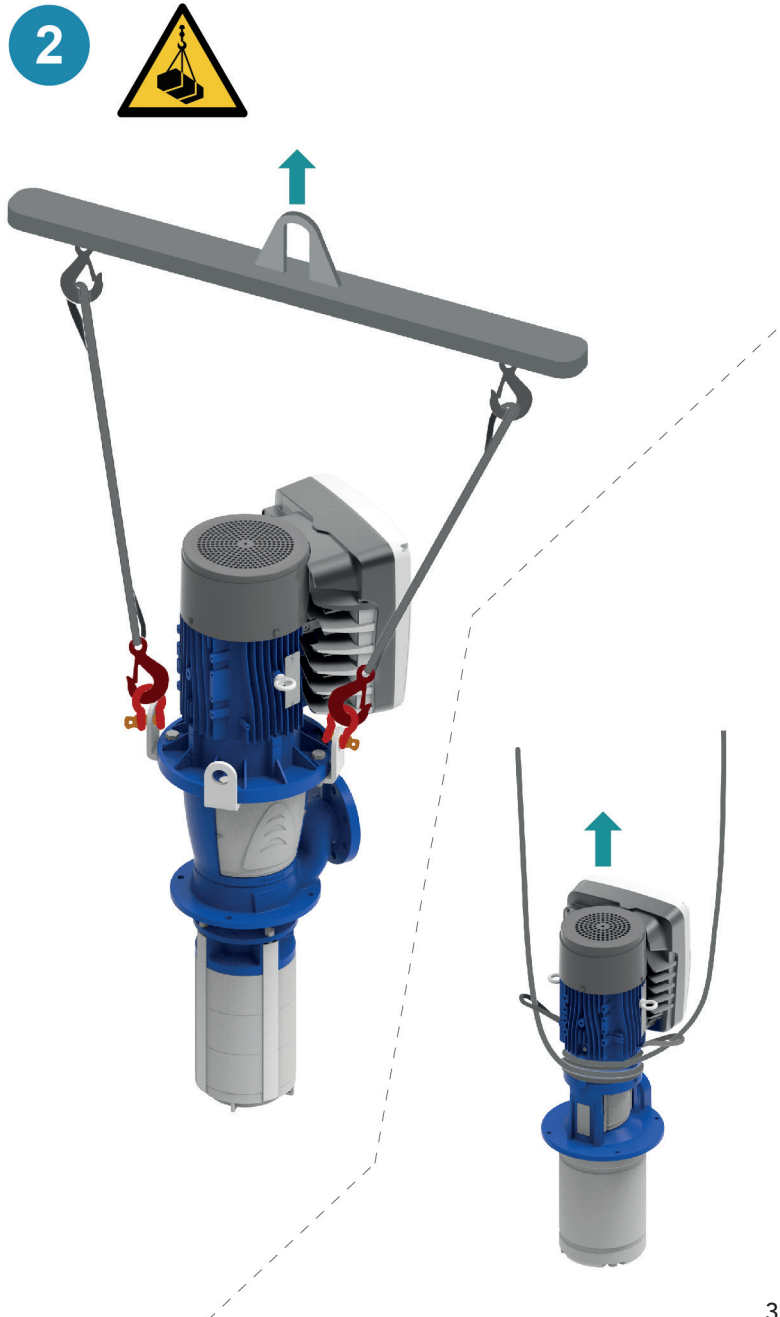
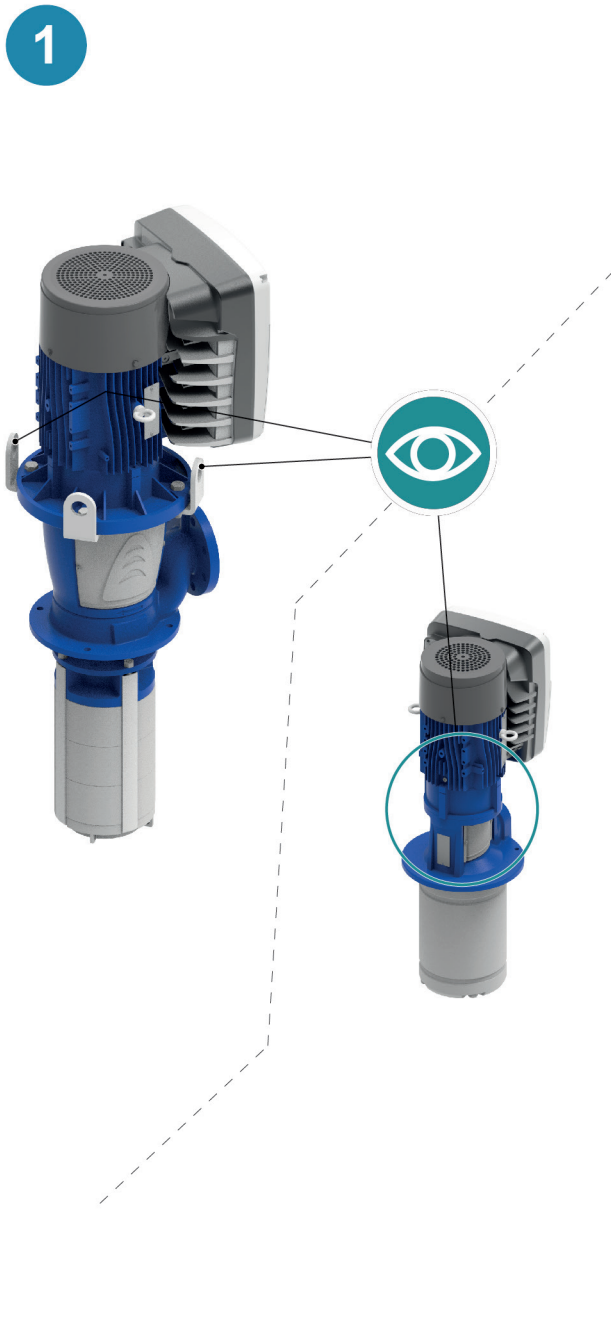
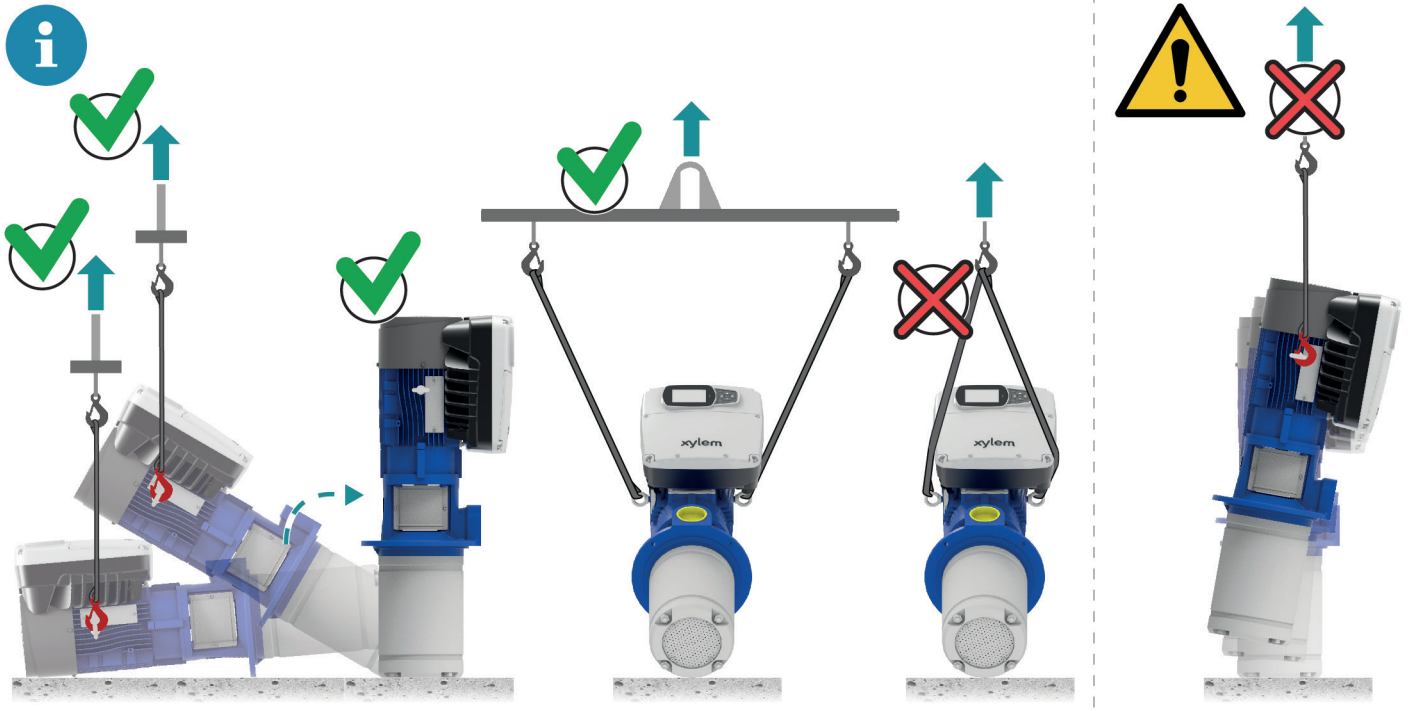


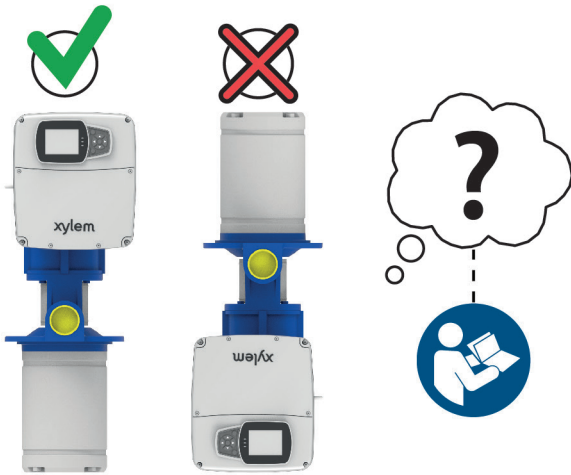
Torx



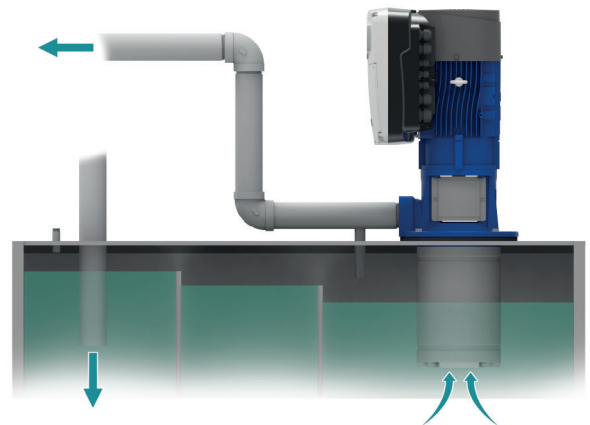
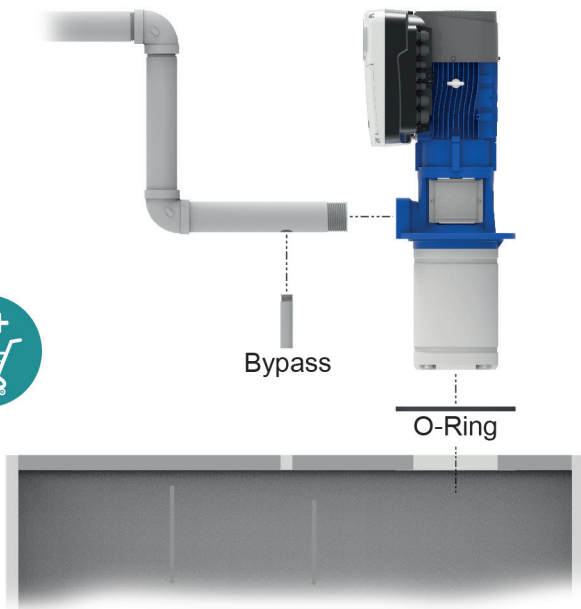
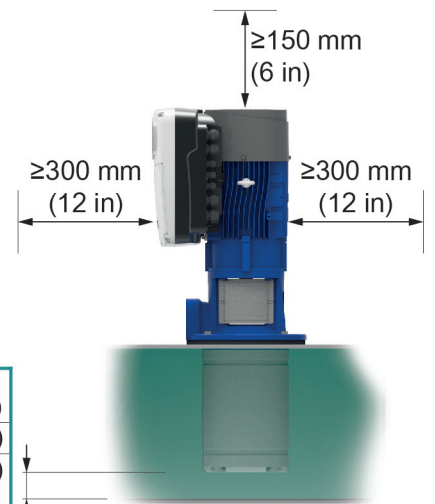
% <50% @ 40°C (104°F)







	mm (in)
3/5	20 (0.8)
10/15/22 /33/46/66 /92	25 (1.0)



3



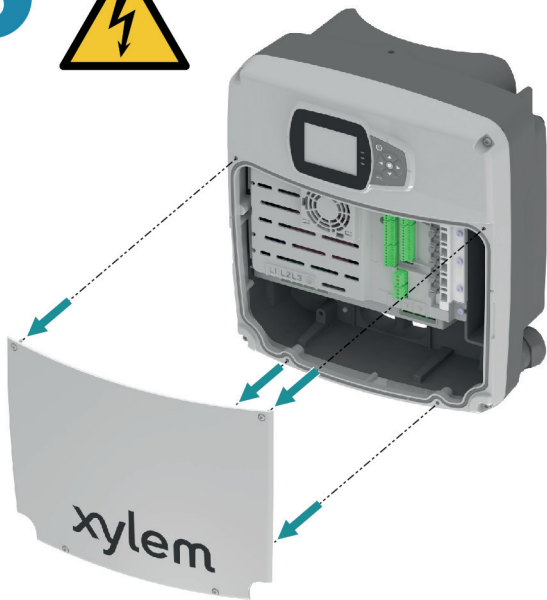
4



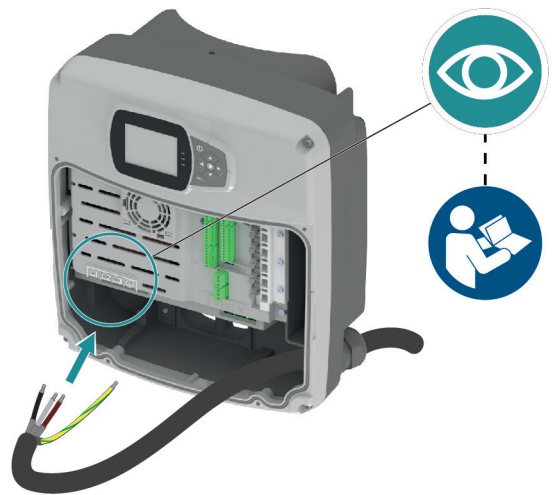
5



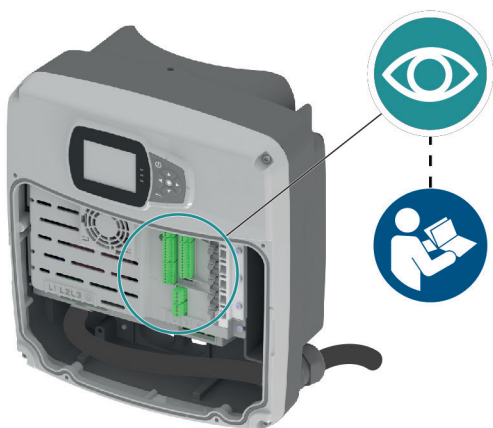
6



7




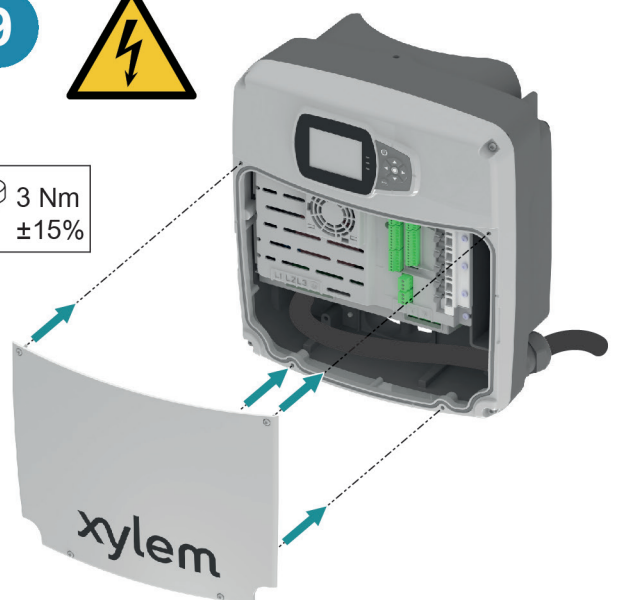
8



9



 3 Nm
±15%



10



11



i

SVIX (e-SVI hydrovar X+)



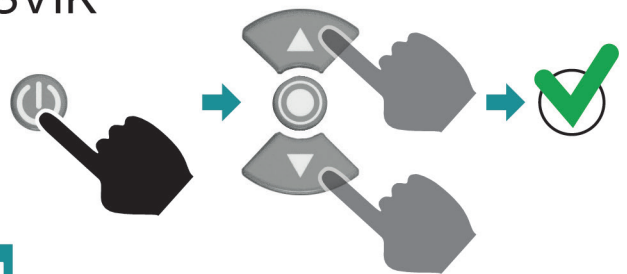
SVIK (e-SVI hydrovar X)



12 SVIX



SVIK



13





Xylem Service Italia S.r.l.
Via Vittorio Lombardi 14
36075 - Montecchio Maggiore (VI) - Italy

xylem.com/lowara
Visit our Web site for the latest version of this document and more information
© 2023 Xylem Inc
Cod.001087006 rev.A ed.04/2023