



# e-SVI Series

SUBMERSIBLE VERTICAL ELECTRIC PUMPS

EQUIPPED WITH IE2, IE3 MOTORS (REG. (EU) 2019/1781)

**ErP 2009/125/EC**

## Directive 2009/125/EC of the European Union

The **Directive 2005/32/EC** on energy-using products (**EuP**) and the subsequent **Directive 2009/125/EC** on energy-related products (**ErP**) established the ecodesign requirements for products to reduce their energy consumption and consequently their environmental impact.

These requirements apply to products placed and used in the European Economic Area (European Union plus Iceland, Liechtenstein and Norway) as a stand-alone unit or as integrated parts in other products.

The table shows the Regulations that define the requirements for Lowara products::

Product	Regulations	From	Target
Pumps*	(EU) N. 547/2012	1 January 2015	<b>MEI</b> ≥ 0,4
Circulators**	(EC) N. 641/2009, (EU) N. 622/2012 e (EU) 2019/1781	1 August 2015	<b>EEl</b> < 0,23
Electric motors	(EU) 2019/1781 e 2021/341	1 July 2021	<b>IE2</b> : three-phase motors with a rated output ≥ 0,12 and < 0,749 kW <b>IE3</b> : three-phase motors with a rated output ≥ 0,75 and < 1000 kW
Variable speed drives (VSD)***	(EU) 2019/1781 e 2021/341	1 July 2021	<b>IE2</b>

\* some types of pump, used for pumping clean water.

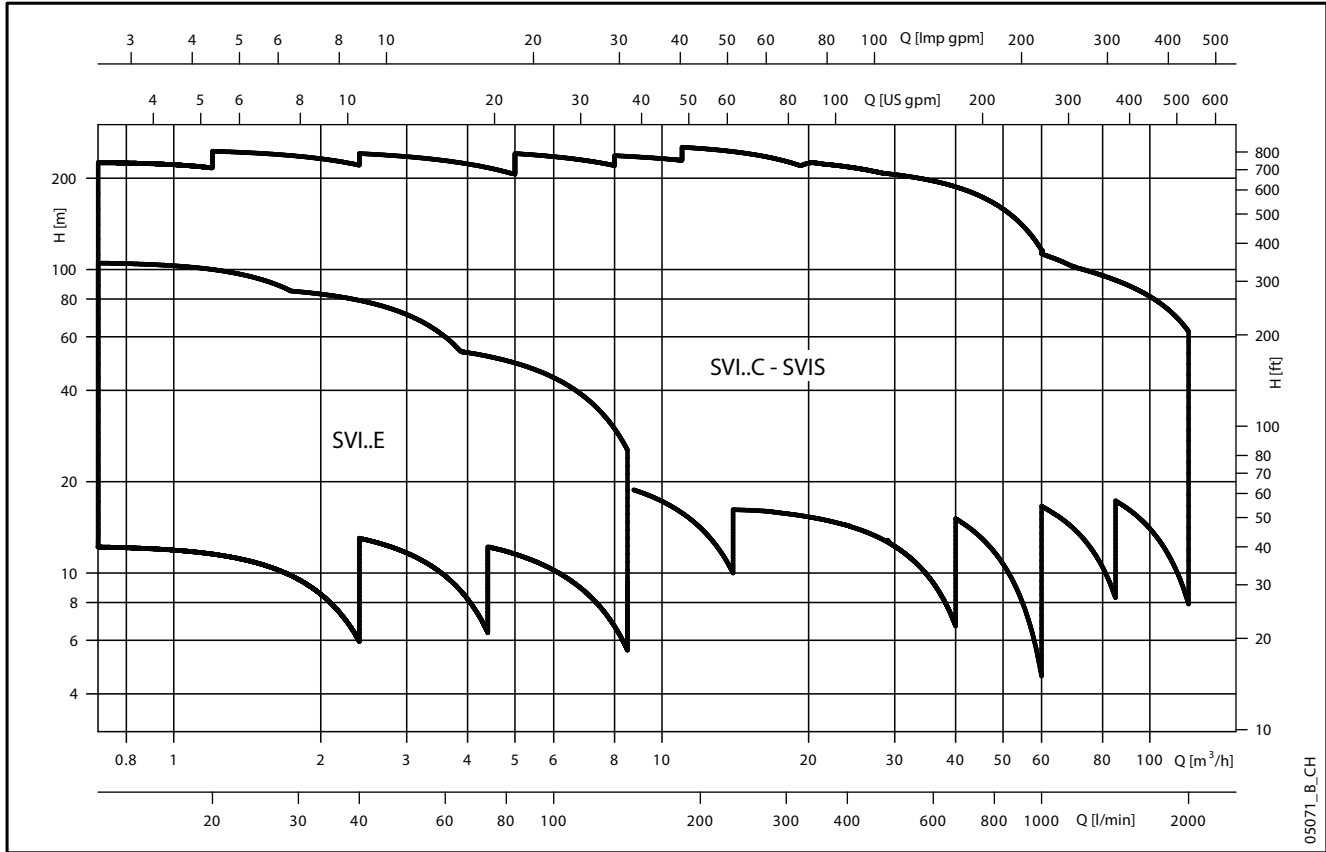
\*\* circulators with a rated hydraulic output power of between 1 and 2500 W, designed for use in heating systems or in secondary circuits of cooling distribution systems.

\*\*\* variable speed drives with three-phase input and rated output power from 0,12 kW up to 1000 kW, rated for operating with motor included in the same regulations.

From 1 July 2023 it will be introduced additional requirements.

## CONTENTS

SPECIFICATIONS .....	<b>5</b>
CHARACTERISTICS OF 1, 3, 5, 10, 15, 22SVI SERIES .....	<b>6</b>
CHARACTERISTICS OF SVI 33, 46, 66, 92 SERIES .....	<b>6</b>
GENERAL CHARACTERISTICS .....	<b>7</b>
IDENTIFICATION CODE .....	<b>9</b>
RATING PLATE .....	<b>10</b>
ELECTRIC PUMP CROSS SECTION AND MAIN COMPONENTS .....	<b>12</b>
MECHANICAL SEAL, ACCORDING TO EN 12756 .....	<b>15</b>
MOTORS (ErP 2009/125/EC) .....	<b>18</b>
PUMPS (ErP 2009/125/EC) .....	<b>23</b>
<b>e-SVI SERIES - COMPACT VERSION</b>	
HYDRAULIC PERFORMANCE RANGE AT 50 Hz, 2 POLES .....	<b>24</b>
DIMENSIONS AND WEIGHTS AT 50 Hz, 2 POLES .....	<b>26</b>
OPERATING CHARACTERISTICS AT 50 Hz, 2 POLES .....	<b>27</b>
<b>e-SVI SERIES - VERSION WITH COUPLING</b>	
HYDRAULIC PERFORMANCE RANGE AT 50 Hz, 2 POLES .....	<b>32</b>
DIMENSIONS AND WEIGHTS AT 50 Hz, 2 POLES .....	<b>36</b>
OPERATING CHARACTERISTICS AT 50 Hz, 2 POLES .....	<b>37</b>
INSTALLATION .....	<b>58</b>
EMPTY STAGES OPERATING CHARACTERISTICS AND DIMENSIONAL DATA .....	<b>59</b>
<b>e-SVI WITH VARIABLE FREQUENCY DRIVE</b>	
e-SVI WITH HYDROVAR .....	<b>64</b>
HYDROVAR (ErP 2009/125/EC) .....	<b>66</b>
e-SVIE: VERSION WITH DRIVE AND PERMANENT MAGNET MOTOR (e-SM DRIVE) .....	<b>70</b>
ACCESSORIES .....	<b>111</b>
FLANGE AND COUNTERFLANGES .....	<b>112</b>
TECHNICAL APPENDIX .....	<b>113</b>

**e-SVI SERIES  
HYDRAULIC PERFORMANCE RANGE AT 50 Hz**


## e-SVI SERIES

### VERTICAL MULTISTAGE ELECTRIC PUMP WITH SUBMERGED STEM

The e-SVI pump is a vertical axis multistage centrifugal pump with submerged stem for the suction of liquids inside tanks.

The e-SVI pump is available in several hydraulic sizes, with rated flow rates from 1 to 92 m<sup>3</sup>/h and a variable number of impeller alternatives, capable of dealing with a wide range of duty points. Moreover, it can also be configured by adding empty stages, so that the length of the submerged section may be modified to reach the desired suction depth.

The e-SVI pump is available in two versions:

- coupled with coupling with a standard motor (C and M, S and N version)
- compact version without coupling (E version; 1SVI, 3SVI and 5SVI models only).

The high efficiency hydraulic components, which ensure life savings during the whole life cycle, are designed for maximum reliability and, thanks to the 1 to 22 m<sup>3</sup>/h impeller design, to also reduce the axial load on the motor.

## SPECIFICATIONS

### PUMP

- **Delivery:** up to 120 m<sup>3</sup>/h.
- **Head:** up to 240 m.
- **Temperature** of pumped liquid (with standard mechanical seal):
  - from -10°C to +90°C for version with coupling (C, M, S, N)
  - from -10°C to +60°C for version with extended shaft (E)
- Maximum **operating pressure:**
  - PN 25 for version with coupling (C, M, N, S) (PN 16 for SVI 66 and 92 series)
  - PN10 for version with extended shaft (E)
- Hydraulic performance compliant with ISO 9906:2012 - Grade 3B (ex ISO 9906:1999 - Annex A).
- Direction of rotation: clockwise looking at the pump from the top down (marked with an arrow on the adapter and on the coupling).

### MOTOR

- Squirrel cage in short circuit, enclosed construction with external ventilation.
- Standard motor for versions with coupling (C, M, S, N)
- Extended shaft motor for the compact version (E)
- **IP55 protection.**
- **Class 155 (F) insulation.**
- Performances according to EN 60034-1.
- Standard voltage:
  - Single-phase version: 220-240 V, 50 Hz.
  - Three-phase version:
    - 220-240/380-415 V, 50 Hz, for power up to 3 kW
    - 380-415/660-690 V, 50 Hz, for power above 3 kW



## APPLICATIONS

- Cooling and lubricating circuits for tools (emulsions, cutting oil).
- Cooling systems (mixtures water-glycols in high quantity).
- Washing systems (mixtures water-detergents).

## CONSTRUCTION

The hydraulic components are in stainless steel, while the pump body with the discharge port is available in both AISI 316 stainless steel and cast iron.

The mechanical seal for 1 to 22 m<sup>3</sup>/h models with coupling can consist of either a strong cartridge construction (C version), or it can be traditional (M version for 1 to 22 m<sup>3</sup>/h models and higher). With motors with powers from 5.5 kW and higher, the traditional seal may be replaced without removing the motor from the pump.

Compact models with motor with extended shaft (version E) are supplied as standard with a chamber for the draining of significant liquid leaks inside the suction tank, caused by a break of the mechanical seal.

e-SVI pumps can be supplied with Hydrovar control system or e-SM drive, for the efficient management of the pump at variable speeds

## **e-SVI SERIES**

### **CHARACTERISTICS OF 1, 3, 5, 10, 15, 22SVI SERIES**

- The following versions are available:
    - C: version with coupling and cartridge mechanical seal.
    - E: version with extended shaft (1, 3, 5SVI only).
    - M: version with coupling and standard mechanical seal according to EN 12756 (ex DIN 24960) and ISO 3069 for 1, 3, 5SVI series and 10, 15, 22SVI series (up to 4 kW).
  - Possible choice of the following materials:
    - G: AISI 304 hydraulic components; cast iron body and discharge port.
    - N: AISI 316 hydraulic components, body and discharge port
  - Reduced axial thrusts enable the use of standard motors that are easily found in the market.
  - Liquid temperature between -30°C and +90°C, depending on the mechanical seal used.
  - Minimum liquid level at the suction 20 mm.
- 

### **CHARACTERISTICS OF SVI 33, 46, 66, 92 SERIES**

- Vertical pump with submersible body.
  - The following versions are available:
    - S: version with standard motor; impellers, diffusers, tie-rods, suction base and filter made entirely of stainless steel. Adapter and upper head in cast iron.
    - N: version with standard motor; made entirely of AISI 316 stainless steel.
  - Delivery port can be coupled to counter-flanges, according to EN 1092.
  - Balanced mechanical seal according to EN 12756 (ex DIN 24960) and ISO 3069, which can be replaced without removing the motor from the pump.
  - Standard version for liquid temperatures ranging from -10°C and +90°C.
- 

Inlet pressure of the pump plus static pressure of the water within the pump cannot exceed the nominal pressure (PN). Using different motors from those provided could limit inlet pressure. In this event please contact customer services.

---

### **AVAILABLE ON REQUEST**

Special versions are available to suit many applications.

- 4 poles version.
  - Special voltages.
  - Special materials for mechanical seals and gaskets.
  - Horizontal installation.
-

## GENERAL CHARACTERISTICS

### e-SVI 2 POLES

	COMPACT VERSION			VERSION WITH COUPLING										
	1SVI	3SVI	5SVI	1SVI	3SVI	5SVI	10SVI	15SVI	22SVI	SVI 33	SVI 46	SVI 66	SVI92	
Max efficiency flow (m <sup>3</sup> /h)	1,7	3	5,5	1,7	3	5,5	10,5	16,5	20,5	33	42	74	92	
Flow range (m <sup>3</sup> /h)	min	0,7	1,2	2,4	0,7	1,2	2,4	5	8	11	15	22	30	45
	max	2,4	4,4	8,5	2,4	4,4	8,5	14	24	29	40	60	85	120
Maximum head (m)	105	88	58	230	250	250	250	250	260	240	220	150	130	
Motor power (kW)	min	0,37	0,37	0,37	0,37	0,37	0,37	0,75	1,1	1,1	2,2	3	4	5,5
	max	1,1	1,1	1,1	2,2	3	5,5	11	15	18,5	30	30	30	30
Max $\eta$ (%) of pump	50	60	70	50	60	70	71	72	73	76,5	79	78	79,5	
Standard temperature (°C)	-10 +60			-10 +90										

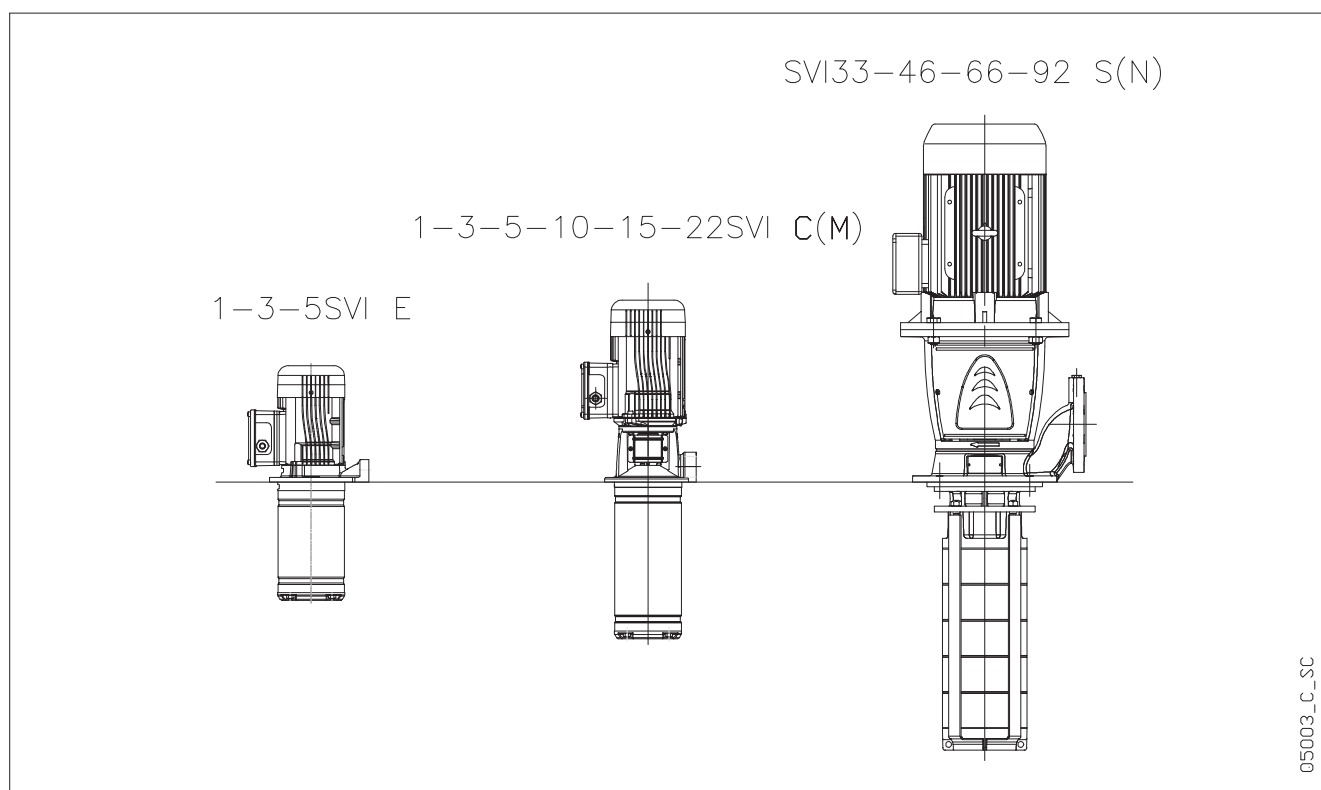
svi-2p50-en\_c\_tg

## e-SVI VERSIONS

	VERSION	MECH. SEAL	HYDRAULIC	UPPER HEAD	DELIVERY PORT
1-3-5SVI..EG	Close-coupled	Standard	AISI 304	Cast iron	Threaded Rp 3/4
1-3-5SVI..EN	Close-coupled	Standard	AISI 316	AISI 316	Threaded Rp 3/4
1-3-5SVI..CG	With coupling	Cartridge	AISI 304	Cast iron	Threaded Rp 1 1/4
1-3-5SVI..CN	With coupling	Cartridge	AISI 316	AISI 316	Threaded Rp 1 1/4
10-15-22SVI..CG	With coupling	Cartridge	AISI 304	Cast iron	Threaded Rp 2
10-15-22SVI..CN	With coupling	Cartridge	AISI 316	AISI 316	Threaded Rp 2
1-3-5SVI..MG	With coupling	Standard	AISI 304	Cast iron	Threaded Rp 1 1/4
1-3-5SVI..MN	With coupling	Standard	AISI 316	AISI 316	Threaded Rp 1 1/4
10-15-22SVI..MG	With coupling	Standard	AISI 304	Cast iron	Threaded Rp 2
10-15-22SVI..MN	With coupling	Standard	AISI 316	AISI 316	Threaded Rp 2
SVI33-46-66-92S	With coupling	Standard	AISI 304	Cast iron	Flanged DN 80
SVI33-46-66-92N	With coupling	Standard	AISI 316	AISI 316	Flanged DN 80

svi-vers-2p50-en\_b\_tc

## VERSION DIAGRAM



## **e-SVI SERIES** **TYPICAL APPLICATIONS**

Thanks to its flexibility and reliability, the e-SVI pump is suitable for use in several industrial applications, from machine tools to filtering systems, to process control, and similar, even outside the industrial sector. The pumps are suitable for handling clean fluids without abrasive substances or fibers.

### **APPLICATIONS**

- Cooling circuits and tool lubrication.
- Cooling systems
- Process temperature control
- Industrial washing systems (degreasing of mechanical components).
- Clean liquid pressure boosting.
- Transfer of condensation.
- Filtering systems.
- Washing and cleaning systems (washing of wells, cars and trucks).
- Electronic industrial sector circuit washing.
- Commercial washers.

### **PUMPED LIQUID**

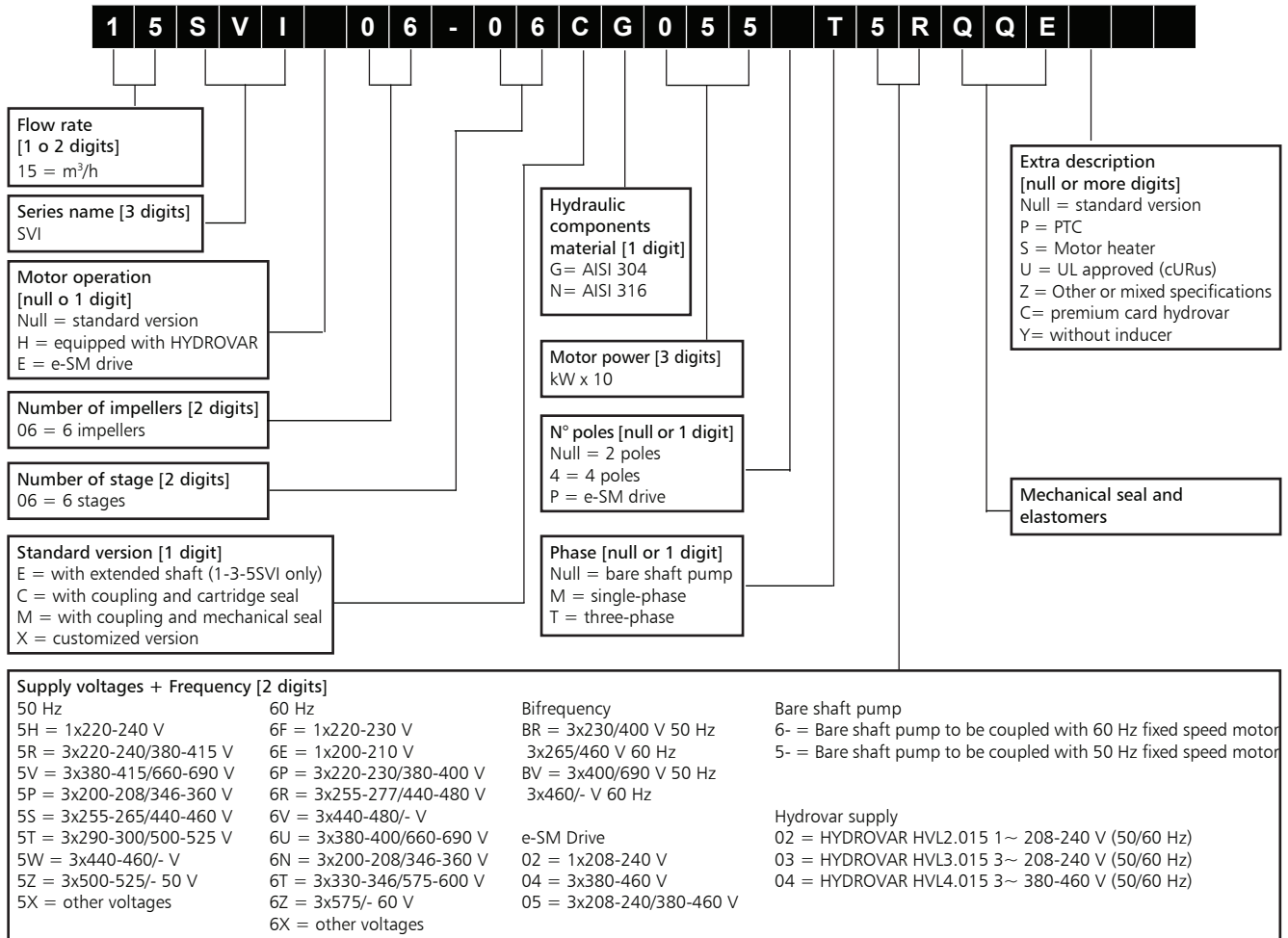
- Coolants.
- Emulsions.
- Cutting oil.
- Condensation.
- Mixtures water-detergents.
- Mixtures water-glycols.





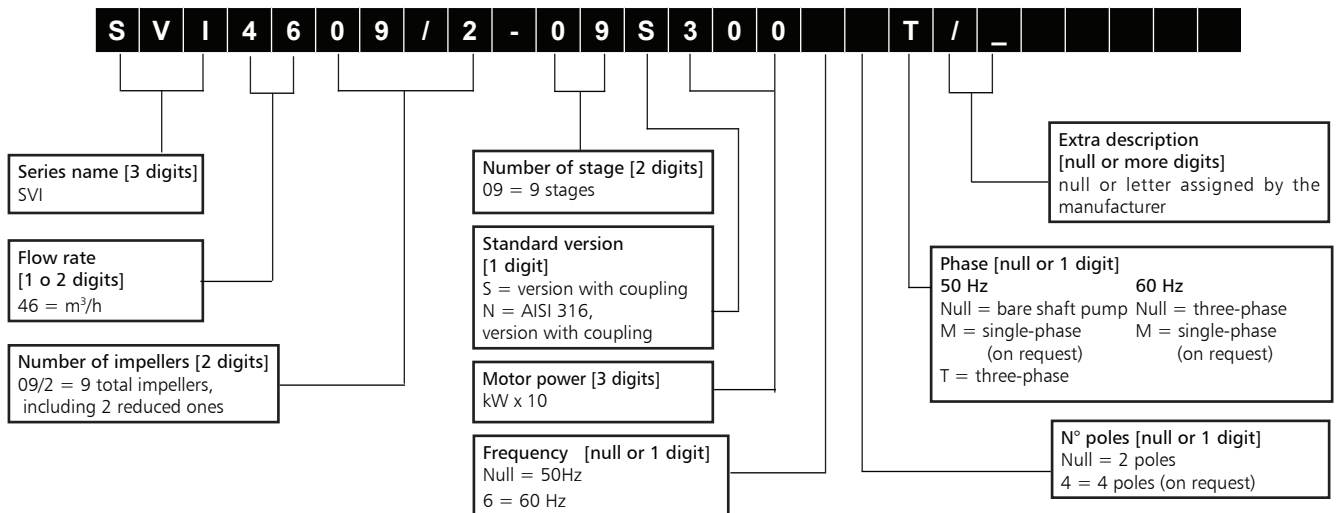
**IDENTIFICATION CODE**

**1, 3, 5, 10, 15, 22SVI SERIES**



EXAMPLE : 15SVI06-06CG055T5RQQE  
e-SVI series electric pump, nominal flow 15 m<sup>3</sup>/h, number of impellers 6, number of stages 6, C version with coupling and cartridge mechanical seal, made of AISI 304, motor power 5,5 kW, 2 pole three-phase 50 Hz version, supply voltage 3x220-240/380-415 V, SiC-SiC-EPDM mech. seal.

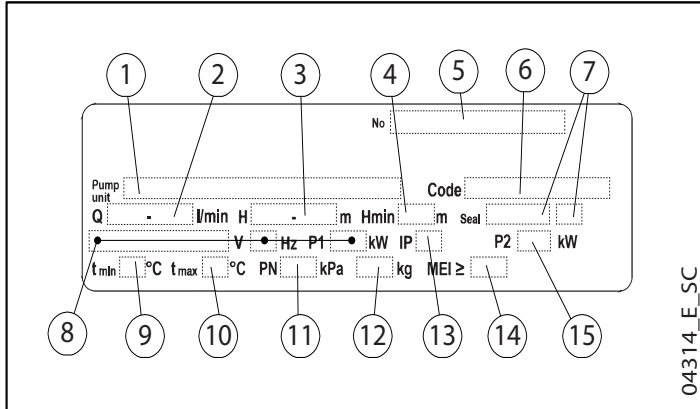
**SVI 33, 46, 66, 92 SERIES**



EXAMPLE : SVI4609/2-09S300T  
SVI Series Electric pump, flow rate 46 m<sup>3</sup>/h, number of impellers 9 including 2 reduced ones, number of stages 9, S version with coupling, rated motor power 30 kW, 50 Hz version, three-phase.

## RATING PLATE

### 1, 3, 5SVI (E) - SINGLE PHASE

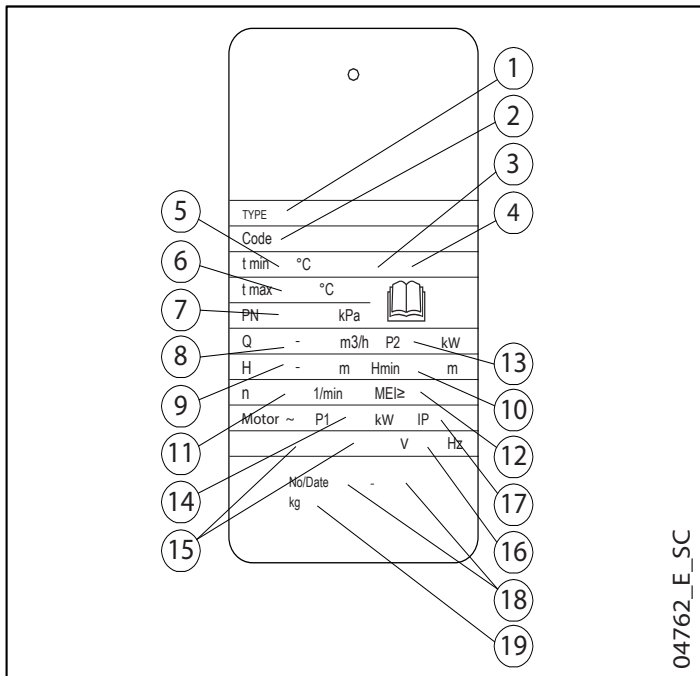


### LEGEND

- 1 - Electric pump / Pump type
- 2 - Delivery range
- 3 - Head range
- 4 - Minimum head (EN 60335-2-41)
- 5 - Serial number
- 6 - Code
- 7 - Mechanical seal material identification code  
O-ring material identification code
- 8 - Electrical data (rated voltage range, frequency, electric pump unit absorbed power)
- 9 - Minimum operating temperature<sup>1</sup>
- 10 - Maximum operating liquid temperature<sup>1</sup>  
(uses as EN 60335-2-41)
- 11 - Maximum operating pressure<sup>1</sup>
- 12 - Weight
- 13 - Protection class
- 14 - MEI (Regulation (EU) n. 547/2012)
- 15 - Motor nominal power

<sup>1</sup> Pressure/temperature limit diagrams (pages 15-17).

### 1, 3, 5SVI (E) - THREE PHASE 1, 3, 5, 10, 15, 22SVI (C, M)



### LEGEND

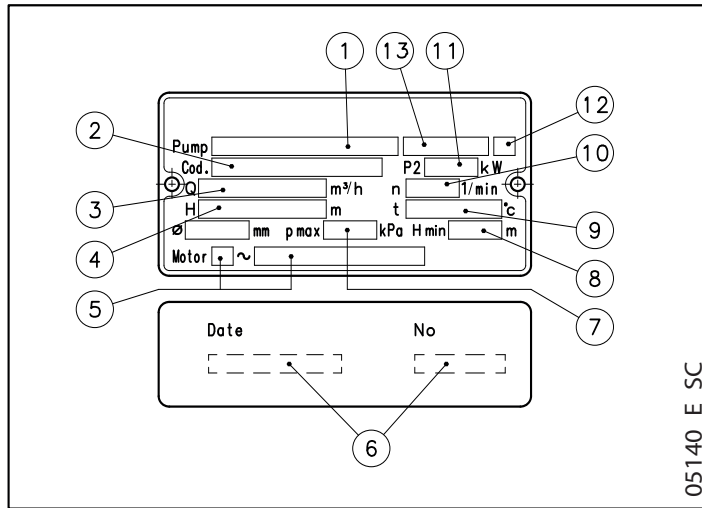
- 1 - Electric pump / Pump type
- 2 - Code
- 3 - Mechanical seal material identification code
- 4 - O-ring material identification code
- 5 - Minimum operating temperature<sup>1</sup>
- 6 - Maximum operating liquid temperature<sup>1</sup>  
(uses as EN 60335-2-41)
- 7 - Maximum operating pressure<sup>1</sup>
- 8 - Delivery range
- 9 - Head range
- 10 - Minimum head (EN 60335-2-41)
- 11 - Speed
- 12 - MEI (Regulation (EU) n. 547/2012)
- 13 - Motor nominal power
- 14 - Electric pump unit absorbed power<sup>2</sup>
- 15 - Rated voltage range<sup>2</sup>
- 16 - Frequency<sup>2</sup>
- 17 - Protection class<sup>2</sup>
- 18 - Serial number (date + progressive number)
- 19 - Weight

<sup>1</sup> Pressure/temperature limit diagrams (pages 15-17).

<sup>2</sup> Only on the electric pump rating plate.

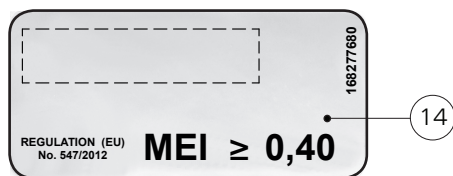
## RATING PLATE

### SVI 33, 46, 66, 92 (S, N)



## LEGEND

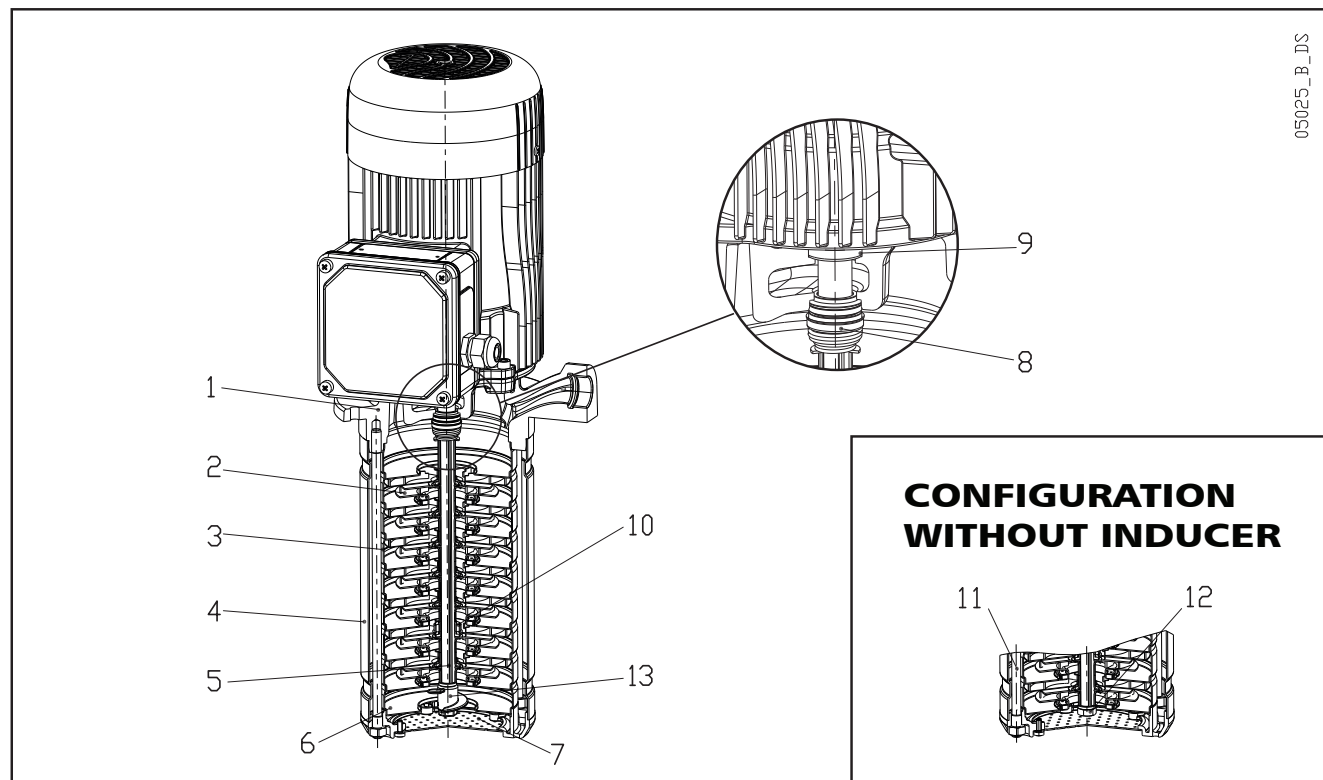
- 1 - Electric pump type
- 2 - Code
- 3 - Delivery range
- 4 - Head range
- 5 - Motor type<sup>2</sup>
- 6 - Date of manufacturing and serial number
- 7 - Maximum operating pressure<sup>1</sup>
- 8 - Minimum head
- 9 - Maximum operating temperature<sup>1</sup>
- 10 - Speed
- 11 - Rated power
- 12 - O-ring material identification code
- 13 - Mechanical seal material identification code
- 14 - MEI (Regulation (EU) n. 547/2012) accordingly to value in the MEI column of the tables in the Hydraulic Performance section



<sup>1</sup> Pressure/temperature limit diagrams (pages 15-17).

<sup>2</sup> Only on the electric pump rating plate.

## 1, 3, 5SVI SERIES - COMPACT VERSION (E) ELECTRIC PUMP CROSS SECTION AND MAIN COMPONENTS



### G VERSION

REF. N.	NAME	MATERIAL	REFERENCE STANDARDS	
			EUROPE	USA
1	Adapter	Cast iron	EN 1561-GJL-250 (JL1040)	ASTM Class 35
2	Impeller	Stainless steel	EN 10088-1-X5CrNi18-10 (1.4301)	AISI 304
3	Diffuser	Stainless steel	EN 10088-1-X5CrNi18-10 (1.4301)	AISI 304
4	Outer sleeve	Stainless steel	EN 10088-1-X2CrNiMo17-12-2 (1.4404)	AISI 316L
5	Shaft	Stainless steel	EN 10088-1-X5CrNi18-10 (1.4301)	AISI 304
6	Suction base	Stainless steel	EN 10213-4-GX5CrNiMo19-11-2 (1.4408)	ASTM CF8M (AISI 316 cast)
7	Strainer	Stainless steel	EN 10088-1-X5CrNiMo17-12-2 (1.4401)	AISI 316
8	Mechanical seal	Silicon carbide / Carbon / FKM* / AISI 316		
9	Sealing ring	NBR		
10	Shaft sleeve and bushing	Tungsten carbide		
11	Tie rods	Stainless steel	EN 10088-1-X5CrNiMo17-12-2 (1.4401)	AISI 316
12	Screws	Stainless steel	EN 10088-1-X5CrNiMo17-12-2 (1.4401)	AISI 316
13	Inducer	Stainless steel	EN 10213-4-GX5CrNiMo19-11-2 (1.4408)	ASTM CF8M (AISI 316 cast)

svie-g-en a tm

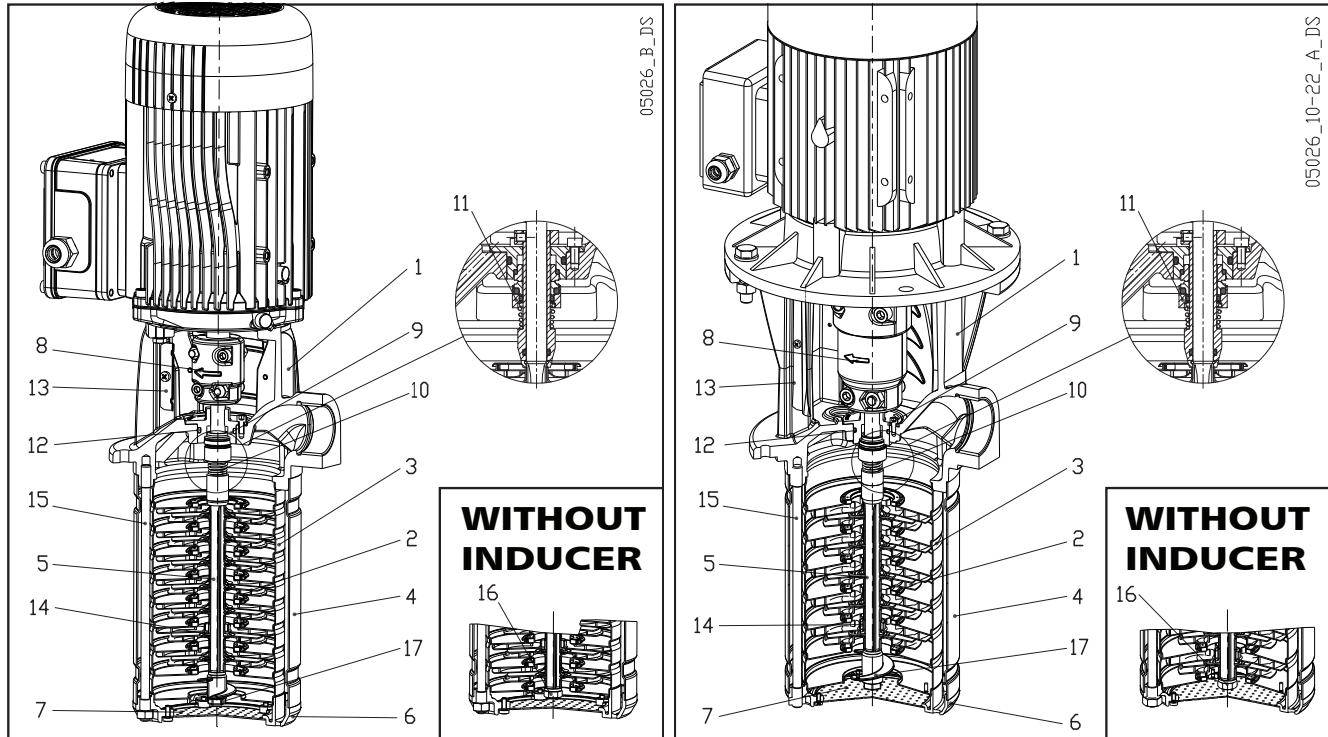
### N VERSION

REF. N.	NAME	MATERIAL	REFERENCE STANDARDS	
			EUROPE	USA
1	Adapter	Stainless steel	EN 10213-4-GX5CrNiMo19-11-2 (1.4408)	ASTM CF8M (AISI 316 cast)
2	Impeller	Stainless steel	EN 10088-1-X2CrNiMo17-12-2 (1.4404)	AISI 316L
3	Diffuser	Stainless steel	EN 10088-1-X2CrNiMo17-12-2 (1.4404)	AISI 316L
4	Outer sleeve	Stainless steel	EN 10088-1-X2CrNiMo17-12-2 (1.4404)	AISI 316L
5	Shaft	Stainless steel	EN 10088-1-X5CrNiMo17-12-2 (1.4401)	AISI 316
6	Suction base	Stainless steel	EN 10213-4-GX5CrNiMo19-11-2 (1.4408)	ASTM CF8M (AISI 316 cast)
7	Strainer	Stainless steel	EN 10088-1-X5CrNiMo17-12-2 (1.4401)	AISI 316
8	Mechanical seal	Silicon carbide / Carbon / FKM* / AISI 316		
9	Sealing ring	NBR		
10	Shaft sleeve and bushing	Tungsten carbide		
11	Tie rods	Stainless steel	EN 10088-1-X5CrNiMo17-12-2 (1.4401)	AISI 316
12	Screws	Stainless steel	EN 10088-1-X5CrNiMo17-12-2 (1.4401)	AISI 316
13	Inducer	Stainless steel	EN 10213-4-GX5CrNiMo19-11-2 (1.4408)	ASTM CF8M (AISI 316 cast)

svie-n-en a tm

\* Fluoro-elastomer: FPM (old ISO), FKM (ASTM & new ISO).

**1, 3, 5, 10, 15, 22SVI SERIES - VERSION WITH COUPLING (C, M)  
ELECTRIC PUMP CROSS SECTION AND MAIN COMPONENTS**



**G VERSION**

REF. N.	NAME	MATERIAL	REFERENCE STANDARDS	
			EUROPE	USA
1	Adapter	Cast iron	EN 1561-GJL-250 (JL1040)	ASTM Class 35
2	Impeller	Stainless steel	EN 10088-1-X5CrNi18-10 (1.4301)	AISI 304
3	Diffuser	Stainless steel	EN 10088-1-X5CrNi18-10 (1.4301)	AISI 304
4	Outer sleeve	Stainless steel	EN 10088-1-X2CrNiMo17-12-2 (1.4404)	AISI 316L
5	Shaft	Stainless steel	EN 10088-1-X5CrNi18-10 (1.4301)	AISI 304
6	Suction base	Stainless steel	EN 10213-4-GX5CrNiMo19-11-2 (1.4408)	ASTM CF8M (AISI 316 cast)
7	Strainer	Stainless steel	EN 10088-1-X5CrNiMo17-12-2 (1.4401)	AISI 316
8	Coupling	Aluminium	EN 1706-AC-AISI11Cu2 (Fe) (AC46100)	-
9	Removable seal housing	Stainless steel	EN 10213-4-GX5CrNiMo19-10-2 (1.4308)	ASTM CF8M (AISI 316 cast)
10	Mechanical seal	Silicon carbide / Carbon / FKM* / AISI 316		
11	Cartridge seal	Silicon carbide / Carbon / FKM* / AISI 316		
12	Elastomers	FKM*		
13	Coupling protection	Stainless steel	EN 10088-1-X5CrNi18-10 (1.4301)	AISI 304
14	Shaft sleeve and bushing	Tungsten carbide		
15	Tie rods	Stainless steel	EN 10088-1-X5CrNiMo17-12-2 (1.4401)	AISI 316
16	Screws	Stainless steel	EN 10088-1-X5CrNiMo17-12-2 (1.4401)	AISI 316
17	Inducer	Stainless steel	EN 10213-4-GX5CrNiMo19-11-2 (1.4408)	ASTM CF8M (AISI 316 cast)

svi1-22-s-en\_a\_tm

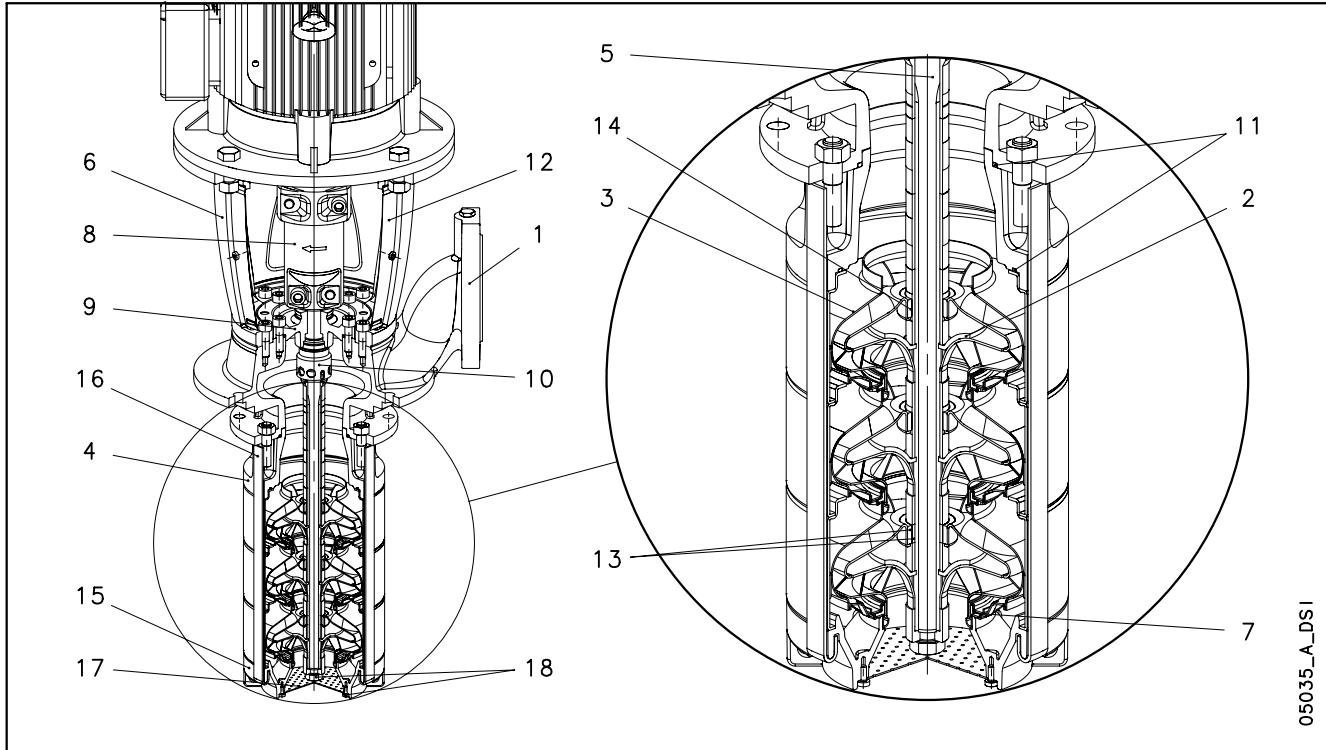
**N VERSION**

REF. N.	NAME	MATERIAL	REFERENCE STANDARDS	
			EUROPE	USA
1	Adapter	Stainless steel	EN 10213-4-GX5CrNiMo19-11-2 (1.4408)	ASTM CF8M (AISI 316 cast)
2	Impeller	Stainless steel	EN 10088-1-X2CrNiMo17-12-2 (1.4404)	AISI 316L
3	Diffuser	Stainless steel	EN 10088-1-X2CrNiMo17-12-2 (1.4404)	AISI 316L
4	Outer sleeve	Stainless steel	EN 10088-1-X2CrNiMo17-12-2 (1.4404)	AISI 316L
5	Shaft	Stainless steel	EN 10088-1-X5CrNiMo17-12-2 (1.4401)	AISI 316
6	Suction base	Stainless steel	EN 10213-4-GX5CrNiMo19-11-2 (1.4408)	ASTM CF8M (AISI 316 cast)
7	Strainer	Stainless steel	EN 10088-1-X5CrNiMo17-12-2 (1.4401)	AISI 316
8	Coupling	Aluminium	EN 1706-AC-AISI11Cu2 (Fe) (AC46100)	-
9	Removable seal housing	Stainless steel	EN 10213-4-GX5CrNiMo19-10-2 (1.4308)	ASTM CF8M (AISI 316 cast)
10	Mechanical seal	Silicon carbide / Carbon / FKM* / AISI 316		
11	Cartridge seal	Silicon carbide / Carbon / FKM* / AISI 316		
12	Elastomers	FKM*		
13	Coupling protection	Stainless steel	EN 10088-1-X5CrNi18-10 (1.4301)	AISI 304
14	Shaft sleeve and bushing	Tungsten carbide		
15	Tie rods	Stainless steel	EN 10088-1-X5CrNiMo17-12-2 (1.4401)	AISI 316
16	Screws	Stainless steel	EN 10088-1-X5CrNiMo17-12-2 (1.4401)	AISI 316
17	Inducer	Stainless steel	EN 10213-4-GX5CrNiMo19-11-2 (1.4408)	ASTM CF8M (AISI 316 cast)

\* Fluoro-elastomer: FPM (old ISO), FKM (ASTM & new ISO).

svi1-22-n-en\_a\_tm

## SVI 33, 46, 66, 92 SERIES - VERSION WITH COUPLING (S, N) ELECTRIC PUMP CROSS SECTION AND MAIN COMPONENTS



### S VERSION

REF. N.	NAME	MATERIAL	REFERENCE STANDARDS	
			EUROPE	USA
1	Upper head	Cast iron	EN 1561-GJL-250 (JL1040)	ASTM Class 35
2	Impeller	Stainless steel	EN 10088-1-X2CrNiMo17-12-2 (1.4404)	AISI 316L
3	Diffuser	Stainless steel	EN 10088-1-X5CrNi18-10 (1.4301)	AISI 304
4	Adapter	Cast iron	EN 1561-GJL-250 (JL1040)	ASTM Class 35
5	Shaft	Stainless steel	EN 10088-1 - X17CrNi16-2 (1.4057)	AISI 431
6	Motor adapter	Cast iron	EN 1561-GJL-200 (JL1030)	ASTM Class 25
7	Wear ring	Technopolymer PPS		
8	Coupling	Cast iron	EN 1561-GJL-200 (JL1030)	ASTM Class 25
9	Seal housing	Cast iron	EN 1561-GJL-250 (JL1040)	ASTM Class 35
10	Mechanical seal	Silicon carbide / Carbon / FKM*		
11	Elastomers	FKM*		
12	Coupling protection	Stainless steel	EN 10088-1-X5CrNi18-10 (1.4301)	AISI 304
13	Shaft sleeve and bushing	Tungsten carbide		
14	Bushing for diffuser	Carbon		
15	Suction base	Stainless steel	EN 10213-4-GX5CrNiMo19-11-2 (1.4408)	ASTM CF8M (AISI 316 cast)
16	Tie rods	Stainless steel	EN 10088-1-X5CrNi18-10 (1.4301)	AISI 304
17	Strainer	Stainless steel	EN 10088-1-X5CrNiMo17-12-2 (1.4401)	AISI 316
18	Screws	Stainless steel	EN 10088-1-X5CrNiMo17-12-2 (1.4401)	AISI 316

svi33-92-s-en\_b\_tm

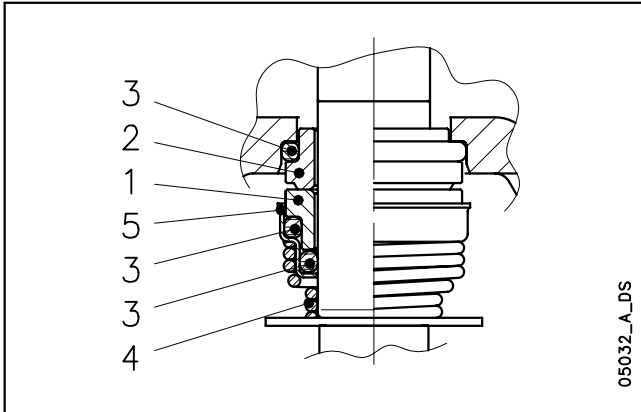
### N VERSION

REF. N.	NAME	MATERIAL	REFERENCE STANDARDS	
			EUROPE	USA
1	Upper head	Stainless steel	EN 10213-4-GX5CrNiMo19-11-2 (1.4408)	ASTM CF8M (AISI 316 cast)
2	Impeller	Stainless steel	EN 10088-1-X2CrNiMo17-12-2 (1.4404)	AISI 316L
3	Diffuser	Stainless steel	EN 10088-1-X2CrNiMo17-12-2 (1.4404)	AISI 316L
4	Adapter	Stainless steel	EN 10213-4-GX5CrNiMo19-11-2 (1.4408)	ASTM CF8M (AISI 316 cast)
5	Shaft	Duplex stainless steel	EN 10088-1-X2CrNiMoN22-5-3 (1.4462)	UNS S 31803
6	Motor adapter	Cast iron	EN 1561-GJL-200 (JL1030)	ASTM Class 25
7	Wear ring	Technopolymer PPS		
8	Coupling	Cast iron	EN 1561-GJL-200 (JL1030)	ASTM Class 25
9	Seal housing	Stainless steel	EN 10213-4-GX5CrNiMo19-11-2 (1.4408)	ASTM CF8M (AISI 316 cast)
10	Mechanical seal	Silicon carbide / Carbon / FKM*		
11	Elastomers	FKM*		
12	Coupling protection	Stainless steel	EN 10088-1-X5CrNi18-10 (1.4301)	AISI 304
13	Shaft sleeve and bushing	Tungsten carbide		
14	Bushing for diffuser	Carbon		
15	Suction base	Stainless steel	EN 10213-4-GX5CrNiMo19-11-2 (1.4408)	ASTM CF8M (AISI 316 cast)
16	Tie rods	Stainless steel	EN 10088-1-X2CrNiMo17-12-2 (1.4404)	AISI 316L
17	Strainer	Stainless steel	EN 10088-1-X5CrNiMo17-12-2 (1.4401)	AISI 316
18	Screws	Stainless steel	EN 10088-1-X5CrNiMo17-12-2 (1.4401)	AISI 316

svi33-92-n-en\_b\_tm

\* Fluoro-elastomer: FPM (old ISO), FKM (ASTM & new ISO).

## 1, 3, 5SVI SERIES - COMPACT VERSION (E) MECHANICAL SEAL, ACCORDING TO EN 12756



### LIST OF MATERIALS

POSITION 1 - 2	POSITION 3	POSITION 4 - 5
<b>B<sub>3</sub></b> : Resin impregnated carbon	<b>V</b> : FKM (FPM)*	<b>G</b> : AISI 316
<b>Q<sub>6</sub></b> : Silicon Carbide	<b>E</b> : EPDM	
<b>U<sub>1</sub></b> : Tungsten Carbide		

\* Fluoro-elastomer: FPM (old ISO), FKM (ASTM & new ISO).

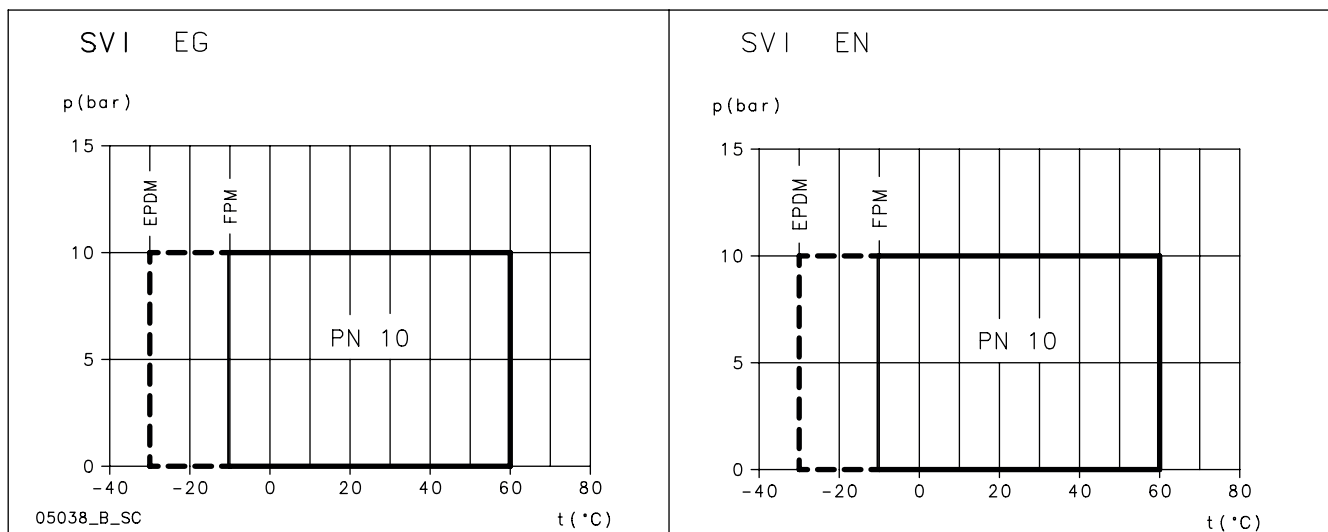
svi-e\_ten-mec-en\_c\_tm

### SEAL TYPES

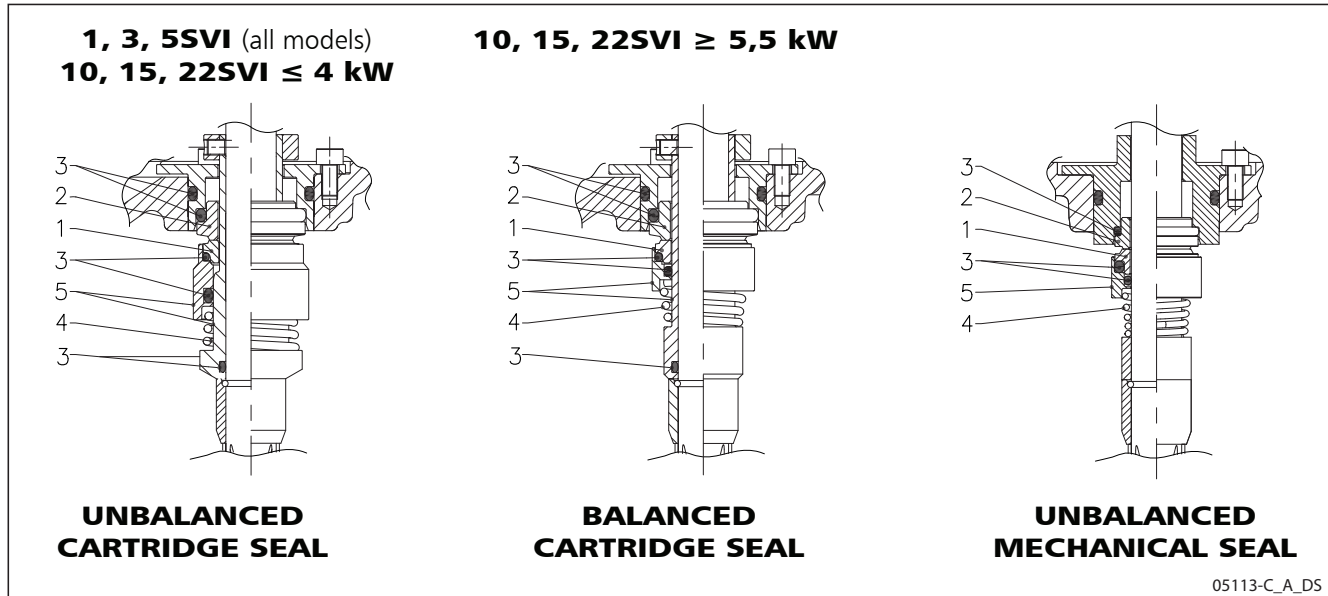
TYPE	POSITION					TEMPERATURE (°C)
	1 ROTATING PART	2 STATIONARY PART	3 ELASTOMERS	4 SPRINGS	5 OTHER COMPONENTS	
<b>STANDARD MECHANICAL SEAL</b>						
<b>Q<sub>6</sub> B<sub>3</sub> V G G</b>	<b>Q<sub>6</sub></b>	<b>B<sub>3</sub></b>	<b>V</b>	<b>G</b>	<b>G</b>	-10 +60
<b>OTHER TYPES OF MECHANICAL SEAL</b>						
<b>Q<sub>6</sub> Q<sub>6</sub> E G G</b>	<b>Q<sub>6</sub></b>	<b>Q<sub>6</sub></b>	<b>E</b>	<b>G</b>	<b>G</b>	-30 +60
<b>Q<sub>6</sub> Q<sub>6</sub> V G G</b>	<b>Q<sub>6</sub></b>	<b>Q<sub>6</sub></b>	<b>V</b>	<b>G</b>	<b>G</b>	-10 +60
<b>U<sub>1</sub> U<sub>1</sub> V G G</b>	<b>U<sub>1</sub></b>	<b>U<sub>1</sub></b>	<b>V</b>	<b>G</b>	<b>G</b>	-10 +60

svi-e\_tipi-ten-mec-en\_c\_tc

### COMPLETE PUMP PRESSURE / TEMPERATURE OPERATING LIMITS



**1, 3, 5, 10, 15, 22SVI SERIES - VERSION WITH COUPLING (C, M)  
MECHANICAL SEAL, ACCORDING TO EN 12756**



05113-C\_A\_DS

**LIST OF MATERIALS**

POSITION 1 - 2	POSITION 3	POSITION 4 - 5
Q <sub>1</sub> : Silicon Carbide	V : FKM (FPM)*	G : AISI 316
B : Resin impregnated carbon	E : EPDM	
U <sub>3</sub> : Tungsten Carbide		

\* Fluoro-elastomer: FPM (old ISO), FKM (ASTM & new ISO).

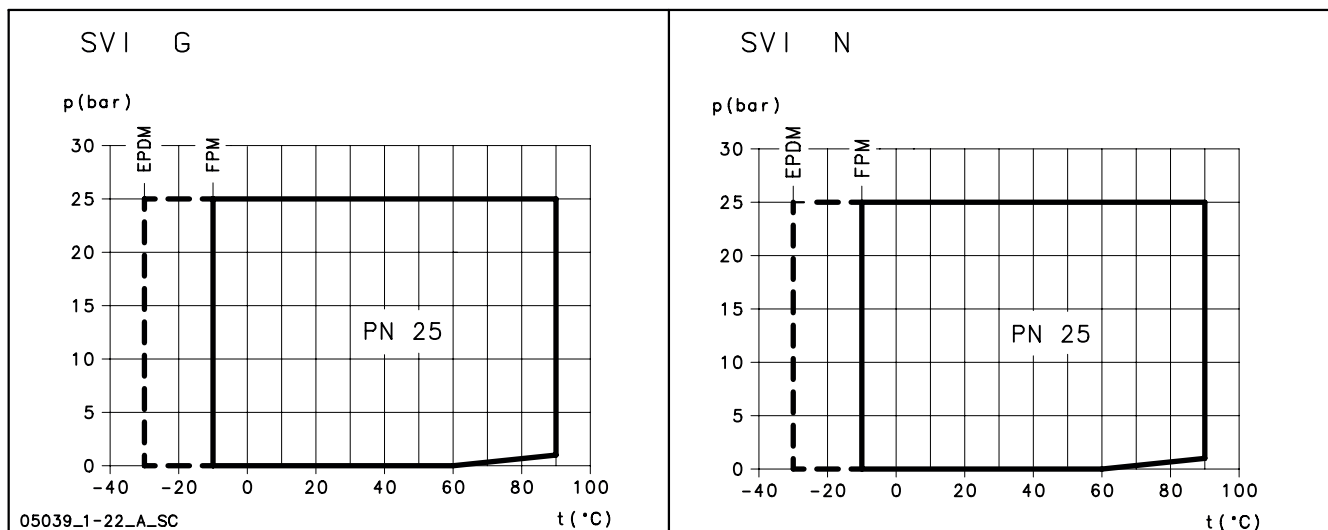
svi-c\_ten-mec-en\_a\_tm

**SEAL TYPES**

TYPE	POSITION					TEMPERATURE (°C)
	1 ROTATING PART	2 STATIONARY PART	3 ELASTOMERS	4 SPRINGS	5 OTHER COMPONENTS	
<b>STANDARD MECHANICAL SEAL</b>						
Q <sub>1</sub> B V G G	Q <sub>1</sub>	B	V	G	G	-10 +90
<b>OTHER TYPES OF MECHANICAL SEAL</b>						
Q <sub>1</sub> Q <sub>1</sub> V G G	Q <sub>1</sub>	Q <sub>1</sub>	V	G	G	-10 +90
Q <sub>1</sub> Q <sub>1</sub> E G G	Q <sub>1</sub>	Q <sub>1</sub>	E	G	G	-30 +90
U <sub>3</sub> U <sub>3</sub> V G G	U <sub>3</sub>	U <sub>3</sub>	V	G	G	-10 +90

svi-c\_tipi-ten-mec-en\_a\_tc

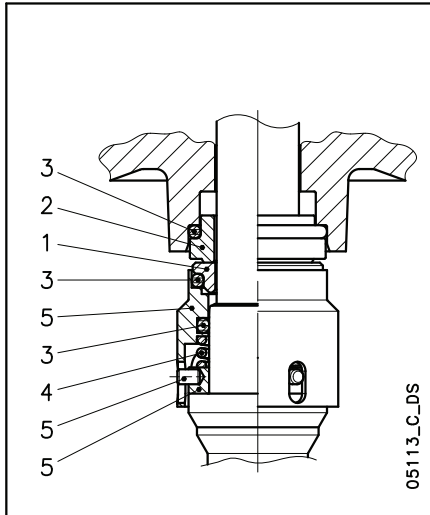
**COMPLETE PUMP PRESSURE / TEMPERATURE OPERATING LIMITS**



05039\_1-22\_A\_SC



**SVI 33, 46, 66, 92 SERIES - VERSION WITH COUPLING (S, N)  
MECHANICAL SEAL, ACCORDING TO EN 12756**



**LIST OF MATERIALS**

POSITION 1 - 2	POSITION 3	POSITION 4 - 5
Q <sub>1</sub> : Silicon Carbide	V : FKM (FPM)*	G : AISI 316
B : Resin impregnated carbon	E : EPDM	
U <sub>3</sub> : Tungsten Carbide	T : PTFE	

\* Fluoro-elastomer: FPM (old ISO), FKM (ASTM & new ISO).

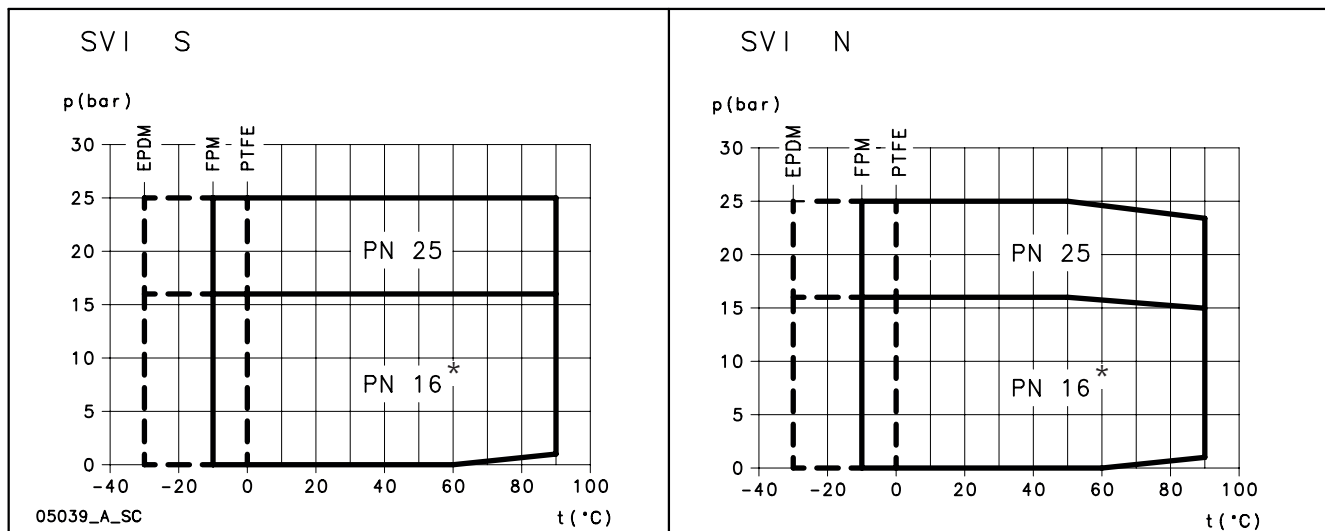
svi-s\_ten-mec-en\_c\_tm

**SEAL TYPES**

TYPE	POSITION					TEMPERATURE (°C)
	1 ROTATING PART	2 STATIONARY PART	3 ELASTOMERS	4 SPRINGS	5 OTHER COMPONENTS	
<b>STANDARD MECHANICAL SEAL</b>						
Q <sub>1</sub> B V G G	Q <sub>1</sub>	B	V	G	G	-10 +90
<b>OTHER TYPES OF MECHANICAL SEAL</b>						
Q <sub>1</sub> Q <sub>1</sub> V G G	Q <sub>1</sub>	Q <sub>1</sub>	V	G	G	-10 +90
Q <sub>1</sub> Q <sub>1</sub> E G G	Q <sub>1</sub>	Q <sub>1</sub>	E	G	G	-30 +90
Q <sub>1</sub> Q <sub>1</sub> T G G	Q <sub>1</sub>	Q <sub>1</sub>	T	G	G	0 +90
U <sub>3</sub> U <sub>3</sub> V G G	U <sub>3</sub>	U <sub>3</sub>	V	G	G	-10 +90

svi-s\_tipi-ten-mec-en\_b\_tc

**COMPLETE PUMP PRESSURE / TEMPERATURE OPERATING LIMITS**



\* = PN16 limit for SVI 66 and SVI 92 series

## e-SVI SERIES MOTORS (ErP 2009/125/EC)

- Short-circuit squirrel-cage motor, enclosed construction with external ventilation (TEFC).
- **IP 55** protection degree.
- Insulation class **155 (F)**.
- Electrical performances according to EN 60034-1.
- **Supplied three-phase surface motors with IE2 efficiency level for power < 0,75 kW, IE3 efficiency level for power ≥ 0,75 kW as standard according to EN 60034-30:2009 and EN 60034-30-1:2014.**
- Metric cable gland according to EN 50262.
- PTC included in motors from 30 kW (one per phase, 155°C).
- **Single-phase** version:  
0,37 to 2,2 kW (2-pole)  
220-240 V 50 Hz  
Built-in automatic reset overload protection up to 2,2 kW.
- **Three-phase** version:  
0,37 to 30 kW (2-pole)  
220-240/380-415 V 50 Hz for power up to 3 kW.  
380-415/660-690 V 50 Hz for power above 3 kW.  
Overload protection to be provided by the user.

From 1 July 2021 in accordance with the **Regulations (EU) 2019/1781 and 2021/341**, the three-phase 50 Hz, 60 Hz or 50/60 Hz **surface motors** with **power outputs ranging from 0,12 to 0,749 kW** must have a minimum level **IE2** efficiency; the ones with power outputs ranging **from 0,75 and 1000 kW** must have a minimum level of **IE3** efficiency.

From 1 July 2023, it will be introduced additional requirements.

The following tables also contain the mandatory information pursuant to Annex I, section 2, of the aforementioned Regulations.

## SINGLE-PHASE MOTORS AT 50 Hz, 2 POLES e-SVI (E) SERIES

P <sub>N</sub> kW	MOTOR TYPE	IEC SIZE	Construction Design	INPUT CURRENT		CAPACITOR		DATA FOR 230 V 50 Hz VOLTAGE						OPERATING CONDITIONS **		
				In (A) 220-240 V	μF	V	min <sup>-1</sup>	Is / In	η %	cosφ	Tn Nm	Ts/Tn	Tm/Tn	Altitude asl m	T. amb min/max °C	ATEX
0,50	SM63SVIE/1055	63	SPECIAL	3,46-3,30	16	450	2705	2,90	66,9	0,98	1,76	0,56	1,61	≤ 1000	-15/40	No
0,55	SM71SVIE/1055	71		3,76-3,99	16	450	2820	3,72	68,9	0,91	1,86	0,61	2,00			
0,75	SM71SVIE/1075	71		4,90-4,85	20	450	2765	3,42	70,1	0,96	2,59	0,58	1,75			
1,1	SM80SVIE/1115	80		6,88-6,65	30	450	2800	3,89	74,7	0,96	3,75	0,46	1,72			

\*\* Operating conditions related only to the motor. For the electric pump refer to the IOM.

1-22svie-motm\_2p50-en\_a\_te

## e-SVI (C, M, S, N) SERIES

P <sub>N</sub> kW	MOTOR TYPE	IEC SIZE*	Construction Design	INPUT CURRENT		CAPACITOR		DATA FOR 230 V 50 Hz VOLTAGE						OPERATING CONDITIONS **		
				In (A) 220-240 V	μF	V	min <sup>-1</sup>	Is / In	η %	cosφ	Tn Nm	Ts/Tn	Tm/Tn	Altitude asl m	T. amb min/max °C	ATEX
0,37	SM71RB14/104	71R	V18/B14	2,79-2,85	14	450	2745	2,64	65,1	0,96	1,39	0,68	1,63	≤ 1000	-15/40	No
0,55	SM71B14/105	71		3,76-3,99	16	450	2820	3,72	68,9	0,91	1,86	0,61	2,00			
0,75	SM80RB14/107	80R		4,90-4,85	20	450	2765	3,42	70,1	0,96	2,59	0,58	1,75			
1,1	SM80B14/111	80		6,88-6,65	30	450	2800	3,89	74,7	0,96	3,75	0,46	1,72			
1,5	SM90RB14/115	90R		9,21-8,58	40	450	2810	4,00	76,1	0,98	5,09	0,39	1,74			
2,2	PLM90B14/122	90		12,5-11,6	70	450	2825	4,47	82,4	0,97	7,43	0,53	1,87			

\* R = Reduced size of motor casing as compared to shaft extension and flange.

1-22sv-motm\_2p50-en\_c\_te

\*\* Operating conditions related only to the motor. For the electric pump refer to the IOM.

## e-SVI (E) SERIES THREE-PHASE MOTORS AT 50 Hz, 2 POLES

P <sub>N</sub> kW	Manufacturer		IEC SIZE	Construction Design	N. of Poles	f <sub>N</sub> Hz	Data for 400 V / 50 Hz Voltage				
	Xylem Service Italia Srl Reg. No. 07520560967 Montecchio Maggiore Vicenza - Italia						cosφ	I <sub>s</sub> / I <sub>N</sub>	T <sub>N</sub> Nm	T <sub>s</sub> /T <sub>N</sub>	T <sub>m</sub> /T <sub>N</sub>
0,37	SM63SVIE(N)/304/E		63	SPECIAL	2	50	0,64	4,35	1,37	4,14	4,10
0,55	SM71SVIE(N)/305/E		71				0,71	6,25	1,84	3,96	3,97
0,75	SM80SVIE(N)/307/E PE		80				0,78	7,38	2,48	3,57	3,75
1,1	SM80SVIE(N)/311/E PE		80				0,79	8,31	3,63	3,95	3,95

P <sub>N</sub> kW	Voltage U <sub>N</sub> V											n <sub>N</sub> min <sup>-1</sup>	Operating conditions **		
	Δ			Y			Δ			Y			Altitude Above Sea Level (m)	T. amb min/max °C	ATEX
	220 V	230 V	240 V	380 V	400 V	415 V	380 V	400 V	415 V	660 V	690 V				
	I <sub>N</sub> (A)														
0,37	2,03	2,18	2,32	1,17	1,26	1,34	-	-	-	-	-	2745 ÷ 2800	≤ 1000	-15 / 40	No
0,55	2,46	2,49	2,56	1,42	1,44	1,48	-	-	-	-	-	2835 ÷ 2865			
0,75	2,96	2,94	2,96	1,71	1,7	1,71	1,70	1,69	1,70	0,98	0,98	2875 ÷ 2895			
1,1	4,19	4,14	4,16	2,42	2,39	2,4	2,41	2,38	2,38	1,39	1,37	2870 ÷ 2900			

P <sub>N</sub> kW	Efficiency η <sub>N</sub> %																		IE
	Δ 220 V			Δ 230 V			Δ 240 V			Δ 380 V			Δ 400 V			Δ 415 V			
	Y 380 V			Y 400 V			Y 415 V			Y 660 V			Y 690 V						
	4/4	3/4	2/4	4/4	3/4	2/4	4/4	3/4	2/4	4/4	3/4	2/4	4/4	3/4	2/4	4/4	3/4	2/4	
0,37	70,4	73,2	68,9	70,4	70,3	64,5	70,4	67,2	60,2	-	-	-	-	-	-	-	-	-	2
0,55	74,1	74,2	70,4	74,1	73,6	68,8	74,1	72,7	67,1	-	-	-	-	-	-	-	-	-	3
0,75	82,5	83,1	81,3	82,8	82,7	80,1	82,6	82,0	78,9	82,5	82,0	78,9	82,5	82,0	78,9	82,5	82,0	78,9	
1,1	84,0	84,7	83,4	84,4	84,5	82,5	84,3	84,0	81,4	84,0	84,0	81,4	84,0	84,0	81,4	84,0	84,0	81,4	

\*\* Operating conditions to be referred to motor only. About electric pump, refer to limits in user's manual.

svi-e-IE3-mott-2p50-en\_c\_te

## e-SVI (C, M, S, N) SERIES THREE-PHASE MOTORS AT 50 Hz, 2 POLES (up to 22 kW)

P <sub>N</sub> kW	Manufacturer		IEC SIZE*	Construction Design	N. of Poles	f <sub>N</sub> Hz	Data for 400 V / 50 Hz Voltage				
	Xylem Service Italia Srl Reg. No. 07520560967 Montecchio Maggiore Vicenza - Italia						cosφ	I <sub>s</sub> / I <sub>N</sub>	T <sub>N</sub> Nm	T <sub>s</sub> /T <sub>N</sub>	T <sub>m</sub> /T <sub>N</sub>
	Model										
0,37	SM71RB14/304/E		71R	V18/B14	2	50	0,64	4,35	1,37	4,14	4,10
0,55	SM71B14/305/E		71				0,71	6,25	1,84	3,96	3,97
0,75	SM80B14/307/E PE		80				0,78	7,38	2,48	3,57	3,75
1,1	SM80B14/311/E PE		80				0,79	8,31	3,63	3,95	3,95
1,5	SM90RB14/315/E PE		90R				0,80	8,80	4,96	4,31	4,10
2,2	PLM90B14/322 E3		90				0,80	8,77	7,28	3,72	3,70
3	PLM100RB14/330 E3		100R				0,79	7,81	9,93	4,26	3,94
4	PLM112RB14S6/340 E3		112R				0,85	9,13	13,2	3,82	4,32
5,5	PLM132RB5/355 E3		132R				0,85	10,5	18,1	4,74	5,11
7,5	PLM132B5/375 E3		132				0,85	10,2	24,4	3,43	4,76
11	PLM160RB5/3110 E3		160R	V1/B5			0,86	9,89	35,9	3,46	4,59
15	PLM160B5/3150 E3		160				0,88	9,51	48,6	2,73	4,32
18,5	PLM160B5S1/3185 E3		160				0,88	9,81	59,9	2,81	4,53
22	PLM180RB5S1/3220 E3		180R				0,85	10,9	71,1	3,26	5,12

P <sub>N</sub> kW	Voltage U <sub>N</sub> V										n <sub>N</sub> min <sup>-1</sup>	Operating conditions **			
	Δ		Y			Δ		Y				Altitude Above Sea Level (m)	T. amb min/max °C	ATEX	
	220 V	230 V	240 V	380 V	400 V	415 V	380 V	400 V	415 V	660 V					690 V
	I <sub>N</sub> (A)														
0,37	2,03	2,18	2,32	1,17	1,26	1,34	-	-	-	-	-	2745 ÷ 2800	≤ 1000	-15 / 40	No
0,55	2,46	2,49	2,56	1,42	1,44	1,48	-	-	-	-	-	2835 ÷ 2865			
0,75	2,96	2,94	2,96	1,71	1,70	1,71	1,70	1,69	1,70	0,98	0,98	2875 ÷ 2895			
1,1	4,19	4,14	4,16	2,42	2,39	2,40	2,41	2,38	2,38	1,39	1,37	2870 ÷ 2900			
1,5	5,56	5,49	5,51	3,21	3,17	3,18	3,21	3,18	3,19	1,85	1,84	2870 ÷ 2895			
2,2	7,97	7,90	7,98	4,6	4,56	4,61	4,57	4,54	4,57	2,64	2,62	2880 ÷ 2900			
3	11,0	11,0	11,2	6,35	6,33	6,44	6,29	6,27	6,34	3,63	3,62	2865 ÷ 2895			
4	13,6	13,4	13,4	7,87	7,75	7,74	7,80	7,62	7,61	4,50	4,40	2885 ÷ 2910			
5,5	18,1	17,9	18,1	10,4	10,4	10,4	10,6	10,5	10,7	6,10	6,05	2880 ÷ 2910			
7,5	24,8	24,4	24,3	14,3	14,1	14,0	14,4	14,1	14,2	8,32	8,16	2920 ÷ 2935			
11	35,7	35,0	34,9	20,6	20,2	20,2	20,6	20,2	20,2	11,9	11,7	2910 ÷ 2930			
15	47,6	46,1	45,2	27,5	26,6	26,1	27,5	26,6	26,1	15,9	15,3	2940 ÷ 2950			
18,5	58,3	56,7	55,6	33,7	32,7	32,1	34,0	33,0	32,7	19,6	19,0	2940 ÷ 2950			
22	72,9	73,1	73,7	42,1	42,2	42,6	40,9	40,4	40,6	23,6	23,3	2950 ÷ 2960			

P <sub>N</sub> kW	Efficiency η <sub>N</sub> %																IE		
	Δ 220 V			Δ 230 V			Δ 240 V			Δ 380 V			Δ 400 V			Δ 415 V			
	Y 380 V			Y 400 V			Y 415 V			Y 660 V			Y 690 V						
	4/4	3/4	2/4	4/4	3/4	2/4	4/4	3/4	2/4	4/4	3/4	2/4	4/4	3/4	2/4	4/4	3/4	2/4	
0,37	70,4	73,2	68,9	70,4	70,3	64,5	70,4	67,2	60,2	-	-	-	-	-	-	-	-	-	2
0,55	74,1	74,2	70,4	74,1	73,6	68,8	74,1	72,7	67,1	-	-	-	-	-	-	-	-	-	
0,75	82,5	83,1	81,3	82,8	82,7	80,1	82,6	82,0	78,9	82,5	82,0	78,9	82,5	82,0	78,9	82,5	82,0	78,9	
1,1	84,0	84,7	83,4	84,4	84,5	82,5	84,3	84,0	81,4	84,0	84,0	81,4	84,0	84,0	81,4	84,0	84,0	81,4	
1,5	85,6	86,5	85,8	85,9	86,4	84,9	86,0	86,0	84,0	85,6	86,0	84,0	85,6	86,0	84,0	85,6	86,0	84,0	
2,2	86,5	87,4	86,8	86,4	86,9	85,7	86,6	86,7	85,0	86,4	86,7	85,0	86,4	86,7	85,0	86,4	86,7	85,0	
3	87,2	88,5	88,3	87,5	88,2	87,5	87,5	87,8	86,4	87,2	87,8	86,4	87,2	87,8	86,4	87,2	87,8	86,4	
4	89,1	90,1	89,2	89,1	90,1	89,2	89,1	90,1	89,2	89,1	90,3	90,4	89,6	90,4	89,9	89,6	90,1	89,2	
5,5	89,5	89,6	88,0	89,5	89,6	88,0	89,5	89,6	88,0	89,5	90,3	89,9	89,7	90,0	89,0	89,6	89,6	88,0	
7,5	90,6	90,5	89,0	90,6	90,5	89,0	90,6	90,5	89,0	90,6	91,0	90,2	90,8	90,8	89,6	90,7	90,5	89,0	
11	91,3	92,0	91,1	91,3	92,0	91,1	91,3	92,0	91,1	91,3	92,2	92,2	91,6	92,2	91,7	91,7	92,0	91,1	
15	92,5	92,4	91,2	92,5	92,4	91,2	92,5	92,4	91,2	92,7	93,3	92,9	93,1	93,3	92,7	92,5	92,4	91,2	
18,5	92,6	93,1	92,4	92,6	93,1	92,4	92,6	93,1	92,4	92,6	93,2	93,0	92,9	93,3	92,8	92,9	93,1	92,4	
22	93,0	92,7	91,3	93,0	92,7	91,3	93,0	92,7	91,3	93,0	93,2	92,4	93,1	93,0	91,9	93,0	92,7	91,3	

\* R = Reduced size of motor casing as compared to shaft extension and flange.

\*\* Operating conditions to be referred to motor only. About electric pump, refer to limits in user's manual.

## e-SVI (S, N) SERIES THREE-PHASE MOTORS AT 50 Hz, 2 POLES (30 kW)

P <sub>N</sub> kW	Manufacturer	IEC SIZE	Construction Design	N. of Poles	f <sub>N</sub> Hz	Data for 400 V / 50 Hz Voltage				
	Model					cosφ	I <sub>s</sub> / I <sub>N</sub>	T <sub>N</sub> Nm	T <sub>s</sub> /T <sub>N</sub>	T <sub>m</sub> /T <sub>N</sub>
30	OMEGA MOTOR SANAYI A.Ş. Dudullu Organize Sanayi Bölgesi 2. Cadde No: 10 34775 Ümraniye İSTANBUL/TURKEY Reg.No.913733	200	V1	2	50	0,89	7,80	96,9	2,60	3,10

P <sub>N</sub> kW	Voltage U <sub>N</sub> V					n <sub>N</sub> min <sup>-1</sup>	Operating conditions **		
	Δ		Y				Altitude Above Sea Level (m)	T. amb min/max °C	ATEX
	380 V	400 V	415 V	660 V	690 V				
30	55,3	52,2	50,8	31,8	30,3	2965	≤ 1000	-20 / 50	No

P <sub>N</sub> kW	Efficiency η <sub>N</sub> %									
	Δ 380 V Y 660 V			Δ 400 V Y 690 V			Δ 415 V			IE
	4/4	3/4	2/4	4/4	3/4	2/4	4/4	3/4	2/4	
30	93,0	93,1	93,0	93,3	93,5	93,4	93,4	93,6	93,4	3

\*\* Operating conditions to be referred to motor only. About electric pump, refer to limits in user's manual.

svi-s-IE3-mott30-2p50-en\_c\_te

## POWER LOSSES THREE-PHASE MOTORS AT 50 Hz, 2 POLES

P <sub>N</sub> kW	IEC Size	Phase	Power losses (PL) % P <sub>N</sub> (% rated speed; % rated torque)							IE
			25;25	25;100	50;25	50;50	50;100	90;50	90;100	
0,37	63	~3	26,4%	34,6%	28,8%	30,5%	37,3%	35,9%	43,0%	2
0,55	71		15,3%	26,7%	17,5%	19,8%	29,0%	24,8%	34,2%	
0,75	80		7,8%	17,8%	9,2%	11,3%	19,5%	14,6%	23,4%	
1,1	80		6,2%	15,2%	7,5%	9,4%	16,8%	12,5%	20,4%	3
1,5	80		5,2%	13,5%	6,3%	8,0%	14,9%	10,5%	18,0%	
3	90		4,4%	12,2%	5,2%	6,8%	13,3%	8,8%	15,8%	
4	100		3,1%	10,3%	3,8%	5,3%	11,1%	6,8%	12,9%	
5,5	112		3,2%	9,3%	4,1%	5,4%	10,4%	7,3%	12,7%	
11	132		2,1%	7,3%	2,6%	3,7%	8,1%	5,0%	9,8%	

SVI\_2P50-pl-en\_a\_te

## AVAILABLE VOLTAGES MOTORS FOR e-SVI SERIES

P <sub>N</sub> kW	SINGLE-PHASE							
	50 Hz				60 Hz			
0,37	s	o	o	s	-	o	-	-
0,55	s	o	o	s	o	o	o	o
0,75	s	o	o	s	o	o	o	o
1,1	s	-	o	s	-	o	-	o
1,5	s	-	-	s	-	o	-	o
2,2	s	-	-	s	-	-	-	-

P <sub>N</sub> kW	THREE-PHASE																			
	50 Hz						60 Hz						50/60 Hz							
0,37	s	o	o	o	o	o	o	o	o	o	o	o	o	o	o	o	o	o	o	o
0,55	s	o	o	o	o	o	o	o	o	o	o	o	o	o	o	o	o	o	o	o
0,75	s	o	o	o	o	o	o	o	o	o	o	o	o	o	o	o	o	o	o	o
1,1	s	o	o	o	o	o	o	o	o	o	o	o	o	o	o	o	o	o	o	o
1,5	s	o	o	o	o	o	o	o	o	o	o	o	o	o	o	o	o	o	o	o
2,2	s	o	o	o	o	o	o	o	o	o	o	o	o	o	o	o	o	o	o	o
3	s	o	o	o	o	o	o	o	o	s	o	o	o	o	o	o	o	o	o	o
4	o	s	o	o	o	o	o	o	o	s	o	o	o	o	o	o	o	o	o	o
5,5	o	s	o	o	o	o	o	o	o	s	o	o	o	o	o	o	o	o	o	o
7,5	o	s	o	o	o	o	o	o	o	s	o	o	o	o	o	o	o	o	o	o
11	o	s	o	o	o	o	o	o	o	s	o	o	o	o	o	o	o	o	o	o
15	o	s	o	o	o	o	o	o	o	s	o	o	o	o	o	o	o	o	o	o
18,5	o	s	o	o	o	o	o	o	o	s	o	o	o	o	o	o	o	o	o	o
22	o	s	o	o	o	o	o	o	o	s	o	o	o	o	o	o	o	o	o	o

s = Standard voltage    o = voltage upon request    - = Not available

sv-volt-low-a-en\_b\_te

Please contact the sales network to check other available voltages.

### Tolerances on nominal voltages

#### • 50 Hz:

± 10% on the single voltage value shown on the rating plate.  
± 5% on voltage range shown on the rating plate.

#### • 60 Hz:

± 10% on the voltage values shown on the rating plate.

## MOTOR NOISE

### THREE-PHASE 50 Hz, 2 POLES MOTORS

The tables below show the mean sound pressure levels (Lp) measured at 1 meter distance in a free field according to EN ISO 11203. The noise values are measured on 50 Hz motors and have a tolerance of 3 dB (A) according to EN ISO 4871.

#### e-SVI (E)

POWER kW	MOTOR TYPE IEC SIZE	NOISE LpA dB
0,37	63	<70
0,55	71	<70
0,75	80	<70
1,1	80	<70

#### e-SVI (C, M, S, N)

POWER kW	MOTOR TYPE IEC SIZE*	NOISE LpA dB
0,37	71R	<70
0,55	71	<70
0,75	80R	<70
1,1	80	<70
1,5	90R	<70
2,2	90R	<70
3	100R	<70
4	112R	<70
5,5	132R	<70
7,5	132	71
11	160R	73
15	160	71
18,5	160	73
22	180R	70
30	200	72

\*R=Reduced motor casing size with respect to shaft extension and related flange.

## e-SVI SERIES PUMPS (ErP 2009/125/EC)

With the **Regulation (EU) N. 547/2012**, the European Commission has established the requirements of ecodesign for some typologies of pumps used for pumping clean water, placed on the market and operated as stand-alone units or as parts of other products.

For vertical multi-stage pumps (MS-V for the Regulations), the requirements refers to:

- just the pump and not the pump and motor assembly (electric or combustion);
- pumps with:
  - a nominal pressure PN not higher than 25 bar (2500 kPa);
  - a speed of 2900 min<sup>-1</sup> (for electric pumps this means 50 Hz 2-pole electric motors);
  - a maximum flow of 100 m<sup>3</sup>/h;
- use with clean water at a temperature ranging from -10°C to 120°C (the test is performed with cold water at a temperature not higher than 40°C).

This regulation states that water pumps shall have index MEI coming from a dedicated formula which considers hydraulic efficiency values at 'best efficiency point' (BEP), 75 % of the flow at BEP (Part load – PL) and 110 % of the flow at BEP (Over load – OL).

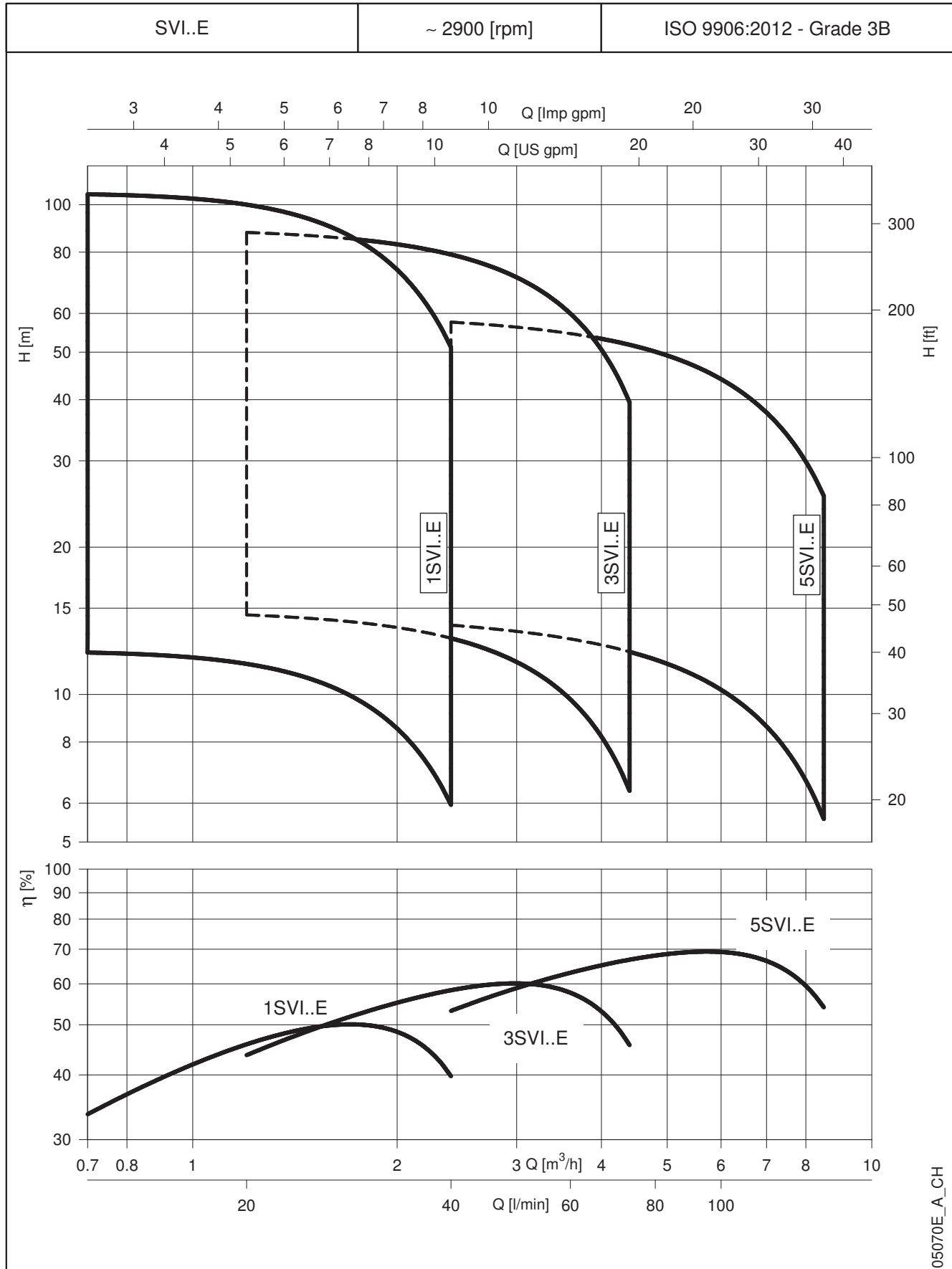
The Regulation also establishes the following deadline:

from	minimum efficiency index (MEI)
1 <sup>st</sup> January 2015	MEI ≥ 0,4

### Regulation (EU) n. 547/2012 – Annex II – point 2 (Product information requirements)

- 1) Minimum efficiency index: see the MEI column in the tables in the *Hydraulic performance* section.
- 2) The benchmark for most efficient water pumps is MEI ≥ 0,70.
- 3) Year of manufacture: see date on rating plate (≥ 2021).
- 4) Manufacturer: Xylem Service Italia Srl - Reg. No 07520560967 - Montecchio Maggiore, Vicenza, Italy.
- 5) Product type: see the PUMP TYPE column in the tables in the *Hydraulic performance* section.
- 6) Hydraulic pump efficiency with trimmed impeller: not applicable to these products.
- 7) Pump performance curves, including the performance curve: see the *Operating Characteristics* graphs in the following pages.
- 8) The efficiency of a pump with a trimmed impeller is usually lower than that of a pump with the full impeller diameter. The trimming of the impeller will adapt the pump to a fixed duty point, leading to reduced energy consumption. The minimum efficiency index (MEI) is based on the full impeller diameter.
- 9) The operation of this water pump with variable duty points may be more efficient and economic when controlled, for example, by the use of a variable speed drive that matches the pump duty to the system.
- 10) Information relevant for disassembly, recycling or disposal at end-of-life: observe the current laws and by-laws governing sorted waste disposal. Consult the product operating manual.
- 11) "Designed for use below – 10 °C only": note not applicable to these products.
- 12) "Designed for use above 120 °C only": note not applicable to these products.
- 13) Specific instructions for pumps as per points 11 and 12: not applicable to these products.
- 14) "Information on benchmark efficiency is available at": [www.europump.org](http://www.europump.org) (Ecodesign section).
- 15) The benchmark efficiency graphs with MEI = 0.7 and MEI = 0.4 are available at [www.europump.org](http://www.europump.org), (Ecodesign, Efficiency charts). Refer to "Multistage Vertical 2900 rpm"

**1, 3, 5SVI SERIES - COMPACT VERSION**  
**HYDRAULIC PERFORMANCE RANGE AT 50 Hz, 2 POLES**



05070E\_A\_CH



### 1, 3, 5SVI SERIES - COMPACT VERSION

### TABLE OF HYDRAULIC PERFORMANCES AT 50 Hz, 2 POLES

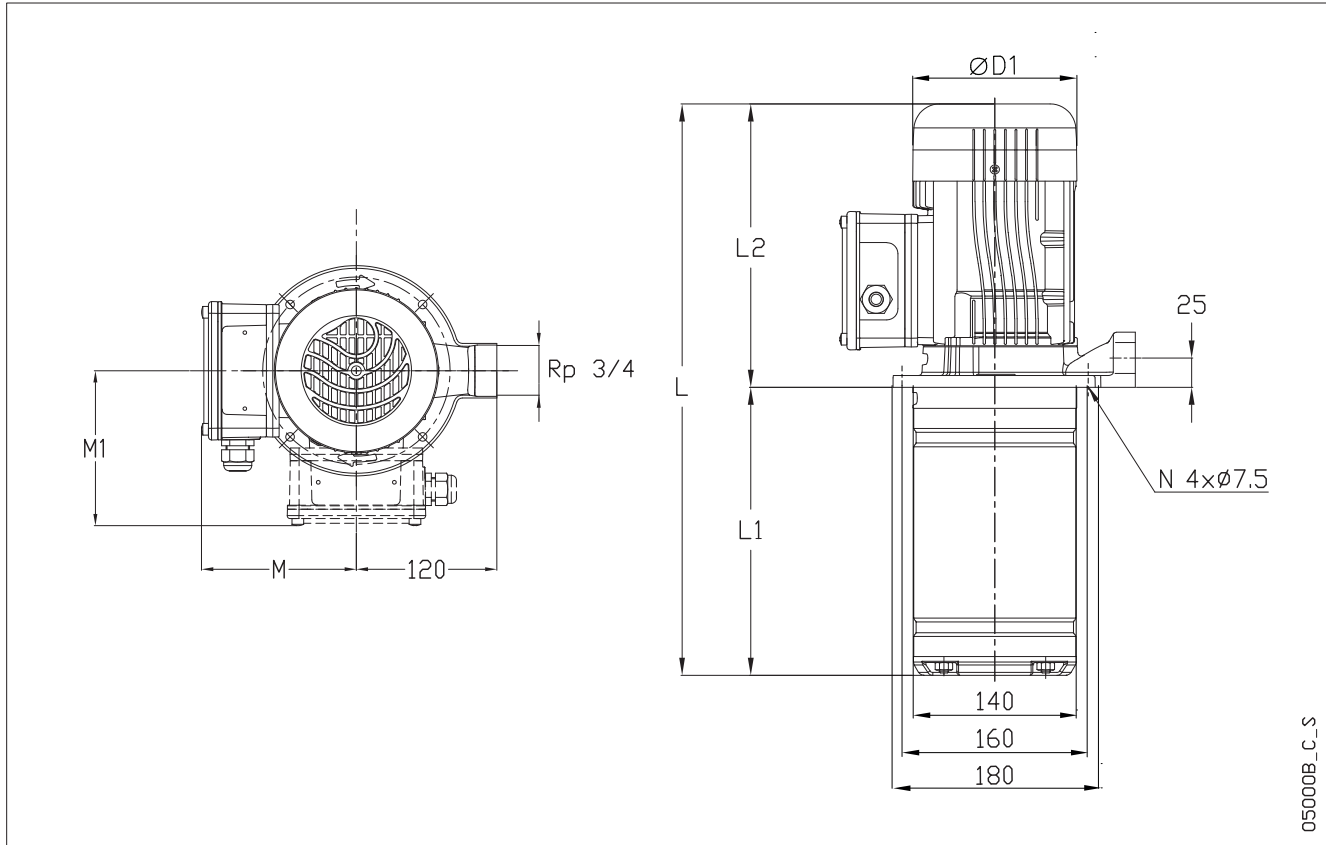
PUMP TYPE SVI..E	RATED*		MEI ≥	Q = DELIVERY													
	POWER			l/min	12	20	25	30	35	40	45	50	60	73	100	120	141
	kW	HP		m <sup>3</sup> /h	0,7	1,2	1,5	1,8	2,1	2,4	2,7	3,0	3,6	4,4	6,0	7,2	8,5
H = TOTAL HEAD IN METRES OF COLUMN OF WATER																	
1SVI02-02E	0,37	0,5	0,70	12,2	12,2	11,5	10,7	9,5	7,9	6,0							
1SVI03-03E	0,37	0,5	0,70	18,0	18,0	17,0	15,7	13,8	11,4	8,4							
1SVI04-04E	0,37	0,5	0,70	23,7	23,5	22,1	20,4	17,9	14,6	10,6							
1SVI05-05E	0,37	0,5	0,70	29,3	28,9	27,0	24,8	21,6	17,4	12,5							
1SVI06-06E	0,37	0,5	0,70	34,8	34,2	31,7	28,9	25,0	20,0	14,0							
1SVI07-07E	0,37	0,5	0,70	40,2	39,2	36,1	32,7	28,1	22,2	15,2							
1SVI08-08E	0,55	0,75	0,70	48,1	47,9	45,2	41,8	36,8	30,4	22,4							
1SVI09-09E	0,55	0,75	0,70	53,7	53,4	50,4	46,4	40,8	33,5	24,6							
1SVI10-10E	0,55	0,75	0,70	59,4	59,0	55,5	51,0	44,7	36,6	26,6							
1SVI11-11E	0,55	0,75	0,70	65,1	64,5	60,4	55,5	48,5	39,5	28,5							
1SVI12-12E	0,75	1	0,70	73,3	73,1	69,3	64,3	57,1	47,6	35,7							
1SVI13-13E	0,75	1	0,70	79,2	78,9	74,8	69,4	61,6	51,2	38,2							
1SVI15-15E	0,75	1	0,70	90,9	90,5	85,6	79,3	70,1	58,1	43,1							
1SVI17-17E	1,1	1,5	0,70	105,2	104,9	100,0	93,1	82,6	68,6	51,2							
3SVI02-02E	0,37	0,5	0,70	14,9		14,5	14,3	14,0	13,5	13,0	12,4	11,7	9,8	6,5			
3SVI03-03E	0,37	0,5	0,70	22,0		21,2	20,8	20,3	19,6	18,7	17,7	16,6	13,7	8,6			
3SVI04-04E	0,37	0,5	0,70	28,9		27,7	27,1	26,2	25,2	23,9	22,5	20,8	16,8	10,1			
3SVI05-05E	0,55	0,75	0,70	37,2		36,4	35,8	35,0	33,9	32,6	31,1	29,2	24,5	16,2			
3SVI06-06E	0,55	0,75	0,70	44,4		43,4	42,6	41,6	40,2	38,6	36,6	34,3	28,5	18,5			
3SVI07-07E	0,75	1	0,70	52,5		51,8	51,0	50,0	48,7	47,0	45,0	42,5	36,1	24,6			
3SVI08-08E	0,75	1	0,70	60,0		59,1	58,2	57,0	55,4	53,4	51,0	48,1	40,7	27,5			
3SVI09-09E	1,1	1,5	0,70	67,7		66,8	65,8	64,5	62,8	60,6	57,9	54,6	46,4	31,6			
3SVI10-10E	1,1	1,5	0,70	75,0		73,8	72,7	71,3	69,3	66,9	63,8	60,2	51,0	34,5			
3SVI11-11E	1,1	1,5	0,70	82,3		81,0	79,7	78,0	75,8	73,1	69,7	65,7	55,5	37,4			
3SVI12-12E	1,1	1,5	0,70	89,6		87,8	86,4	84,5	82,1	79,1	75,5	71,1	59,9	40,1			
5SVI02-02E	0,37	0,5	0,70	14,8						13,8	13,7	13,4	13,0	12,2	10,2	5,7	
5SVI03-03E	0,55	0,8	0,70	22,8						21,8	21,6	21,3	20,7	19,7	16,9	10,3	
5SVI04-04E	0,55	0,75	0,70	30,0						28,2	27,9	27,5	26,6	25,2	21,2	17,3	
5SVI05-05E	0,75	1,00	0,70	38,0						36,4	36,0	35,5	34,5	32,9	28,2	23,5	
5SVI06-06E	1,1	2	0,70	45,3						43,7	43,3	42,8	41,6	39,6	33,9	28,1	
5SVI07-07E	1,1	1,5	0,70	52,7						50,7	50,1	49,5	48,1	45,8	39,1	32,2	
5SVI08-08E	1,1	1,5	0,70	60,1						57,6	57,0	56,2	54,6	51,8	44,1	36,2	

Hydraulic performances in compliance with ISO 9906:2012 - Grade 3B (ex ISO 9906:1999 - Annex A)

1-5svi-2p50-en\_c\_th

\* For single-phase versions refer to 0.50 kW rated power, instead of 0.37 kW.

## 1SVI..E SERIES DIMENSIONS AND WEIGHTS AT 50 Hz, 2 POLES



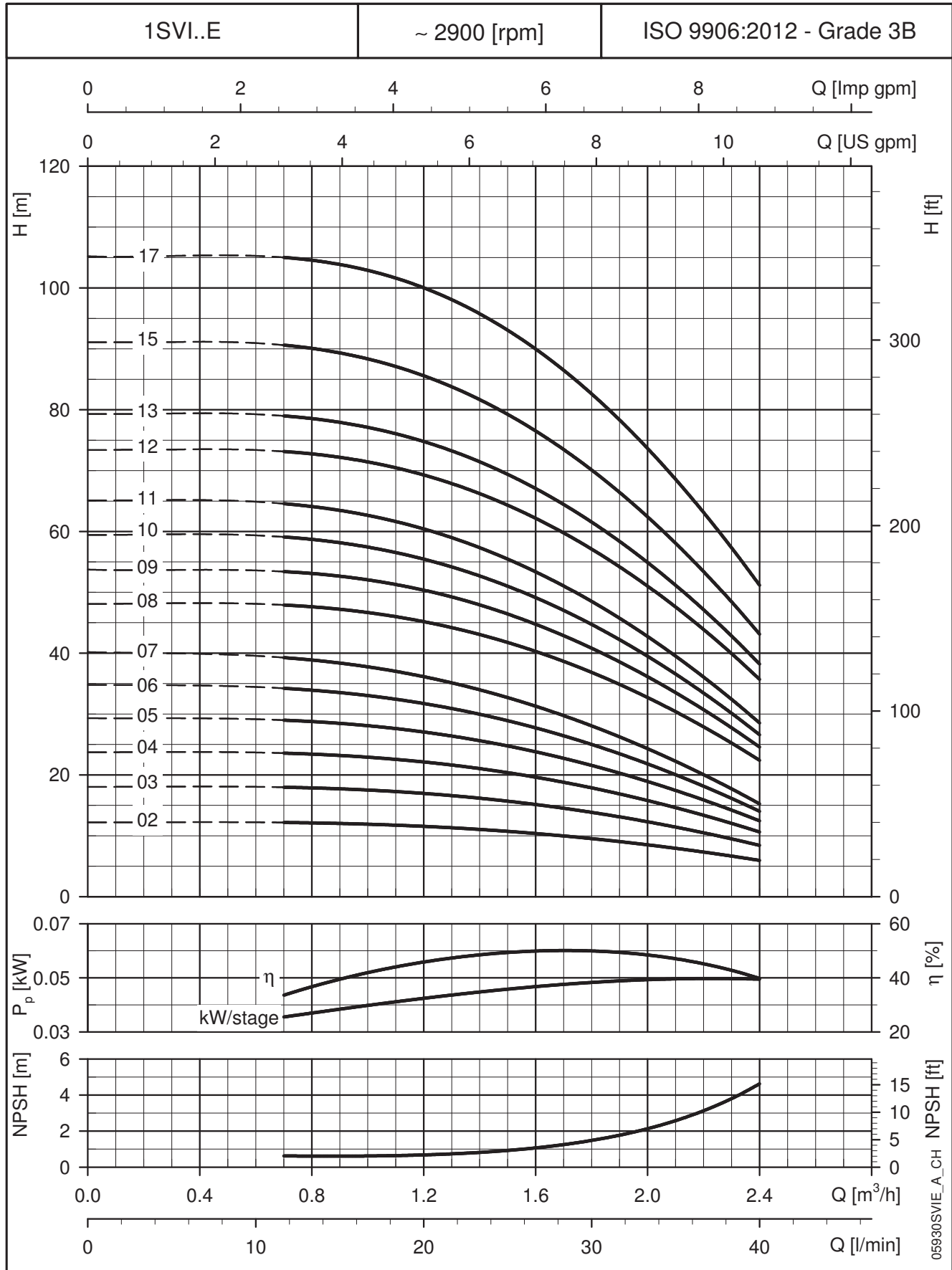
05000B\_C\_S

PUMP TYPE	Phase	MOTOR		DIMENSIONS (mm)						PESO (kg)	
		kW	Size	L	L1	L2	M (max)	M1 (max)	D1 (max)	POMPA	ELECTRIC PUMP
1SVI06-06E..005	1~	0,50	63	434	206	228	113	-	122	3,6	12,6
1SVI07-07E..005		0,50	63	454	226	228	113	-	122	3,9	12,9
1SVI08-08E..005		0,55	71	489	246	243	113	-	142	4,2	14,7
1SVI09-09E..005		0,55	71	509	266	243	113	-	142	4,4	14,9
1SVI10-10E..005		0,55	71	529	286	243	113	-	142	4,7	15,2
1SVI11-11E..005		0,55	71	549	306	243	113	-	142	4,9	15,4
1SVI12-12E..007		0,75	71	613	326	287	113	-	142	5,2	17,2
1SVI13-13E..007		0,75	71	633	346	287	113	-	142	5,5	17,5
1SVI15-15E..007		0,75	71	673	386	287	113	-	142	6,0	18,0
1SVI17-17E..011		1,1	80	713	426	287	-	137,5	157	6,5	21,5
1SVI02-02E..003	3~	0,37	63	354	126	228	122	-	120	2,6	10,6
1SVI03-03E..003		0,37	63	374	146	228	122	-	120	2,9	10,9
1SVI04-04E..003		0,37	63	394	166	228	122	-	120	3,1	11,1
1SVI05-05E..003		0,37	63	414	186	228	122	-	120	3,4	11,4
1SVI06-06E..003		0,37	63	434	206	228	122	-	120	3,6	11,6
1SVI07-07E..003		0,37	63	454	226	228	122	-	120	3,9	11,9
1SVI08-08E..005		0,55	71	489	246	243	132	-	140	4,2	14,2
1SVI09-09E..005		0,55	71	509	266	243	132	-	140	4,4	14,4
1SVI10-10E..005		0,55	71	529	286	243	132	-	140	4,7	14,7
1SVI11-11E..005		0,55	71	549	306	243	132	-	140	4,9	14,9
1SVI12-12E..007		0,75	80	613	326	287	-	140	155	5,2	18,2
1SVI13-13E..007		0,75	80	633	346	287	-	140	155	5,5	18,5
1SVI15-15E..007		0,75	80	673	386	287	-	140	155	6,0	19,0
1SVI17-17E..011		1,1	80	713	426	287	-	140	155	6,5	21,5

All listed dimensions are with inducer.

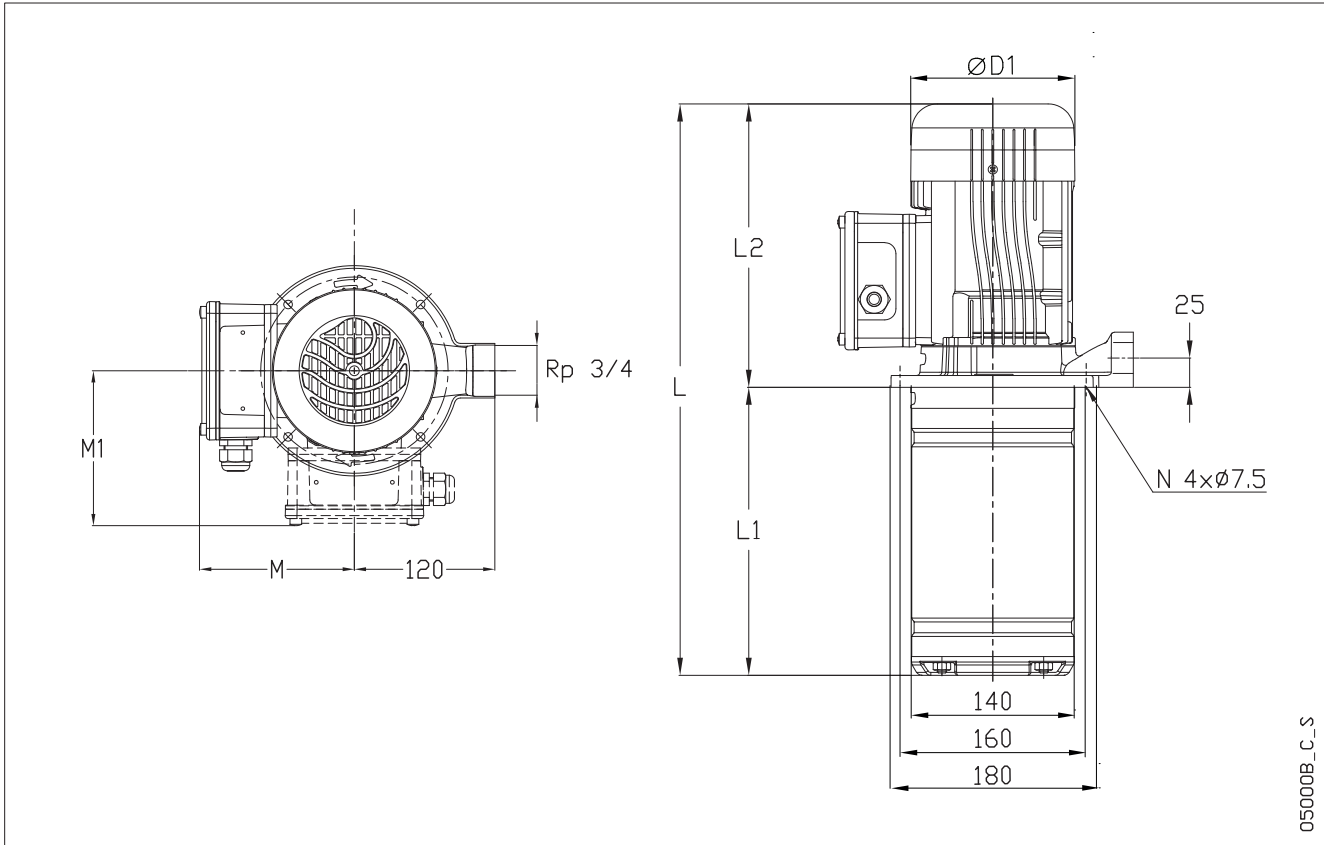
e.g. 1SVI10-10 has 10 stages with impeller and 1 inducer chamber.

1svi\_e-2p50-en\_c\_td

**1SVI..E SERIES  
OPERATING CHARACTERISTICS AT 50 Hz, 2 POLES**


These performances are valid for liquids with density  $\rho = 1.0 \text{ Kg/dm}^3$  and kinematic viscosity  $\nu = 1 \text{ mm}^2/\text{sec}$ .

### 3SVI..E SERIES DIMENSIONS AND WEIGHTS AT 50 Hz, 2 POLES

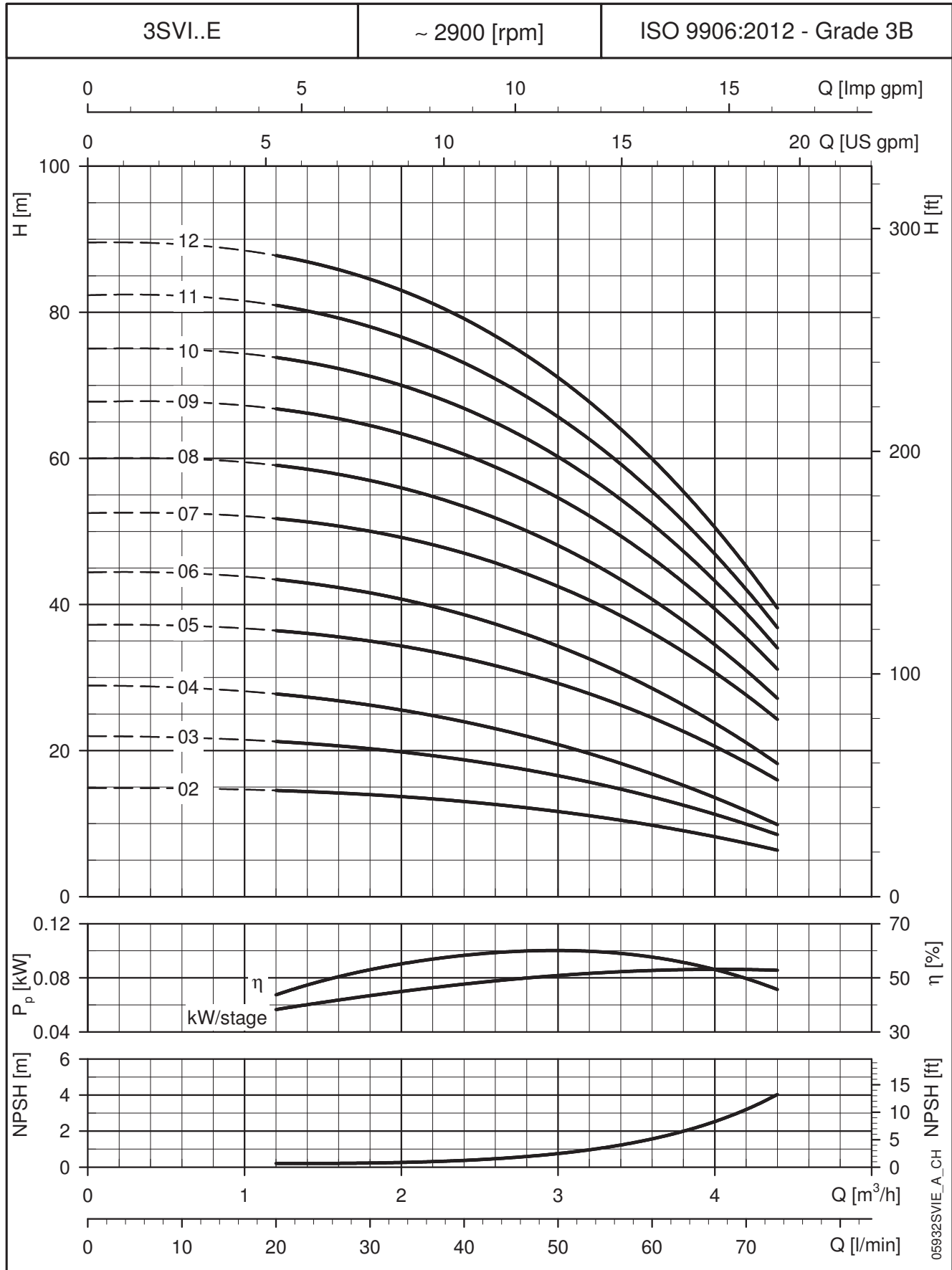


05000B\_C\_S

PUMP TYPE	Phase	MOTOR		L	L1	DIMENSIONS (mm)				WEIGHT (kg)	
		kW	Size			L2	M (max)	M1 (max)	D1 (max)	PUMP	ELECTRIC PUMP
3SVI04-04E..003	1~	0,50	63	394	166	228	113	-	122	3,2	12,2
3SVI05-05E..005		0,55	71	429	186	243	113	-	142	3,4	13,9
3SVI06-06E..005		0,55	71	449	206	243	113	-	142	3,7	14,2
3SVI07-07E..007		0,75	71	469	226	243	113	-	142	4,0	16,0
3SVI08-08E..007		0,75	71	489	246	243	113	-	142	4,2	16,2
3SVI09-09E..011		1,1	80	553	266	287	-	137,5	157	4,5	19,5
3SVI10-10E..011		1,1	80	573	286	287	-	137,5	157	4,8	19,8
3SVI11-11E..011		1,1	80	593	306	287	-	137,5	157	5,1	20,1
3SVI12-12E..011	1,1	80	613	326	287	-	137,5	157	5,3	20,3	
3SVI02-02E..003	3~	0,37	63	354	126	228	122	-	120	2,6	10,6
3SVI03-03E..003		0,37	63	374	146	228	122	-	120	2,9	10,9
3SVI04-04E..003		0,37	63	394	166	228	122	-	120	3,2	11,2
3SVI05-05E..005		0,55	71	429	186	243	132	-	140	3,4	13,4
3SVI06-06E..005		0,55	71	449	206	243	132	-	140	3,7	13,7
3SVI07-07E..007		0,75	80	513	226	287	-	140	155	4,0	17,0
3SVI08-08E..007		0,75	80	533	246	287	-	140	155	4,2	17,2
3SVI09-09E..011		1,1	80	553	266	287	-	140	155	4,5	19,5
3SVI10-10E..011		1,1	80	573	286	287	-	140	155	4,8	19,8
3SVI11-11E..011		1,1	80	593	306	287	-	140	155	5,1	20,1
3SVI12-12E..011		1,1	80	613	326	287	-	140	155	5,3	20,3

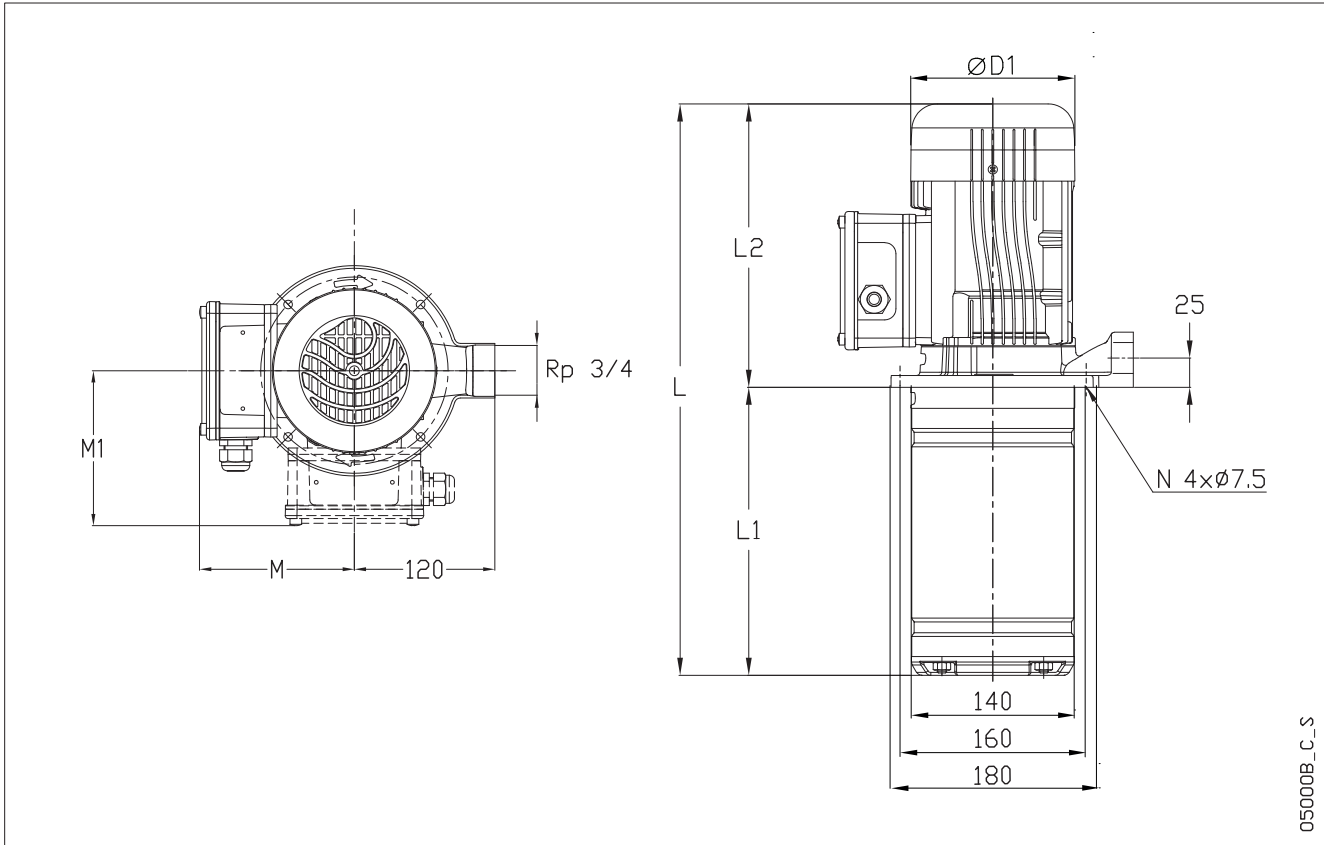
All listed dimensions are with inducer.  
e.g. 3SVI10-10 has 10 stages with impeller and 1 inducer chamber.

3svi\_e-2p50-en\_c\_td

**3SVI..E SERIES**
**OPERATING CHARACTERISTICS AT 50 Hz, 2 POLES**


These performances are valid for liquids with density  $\rho = 1.0 \text{ Kg/dm}^3$  and kinematic viscosity  $\nu = 1 \text{ mm}^2/\text{sec}$ .

## 5SVI..E SERIES DIMENSIONS AND WEIGHTS AT 50 Hz, 2 POLES



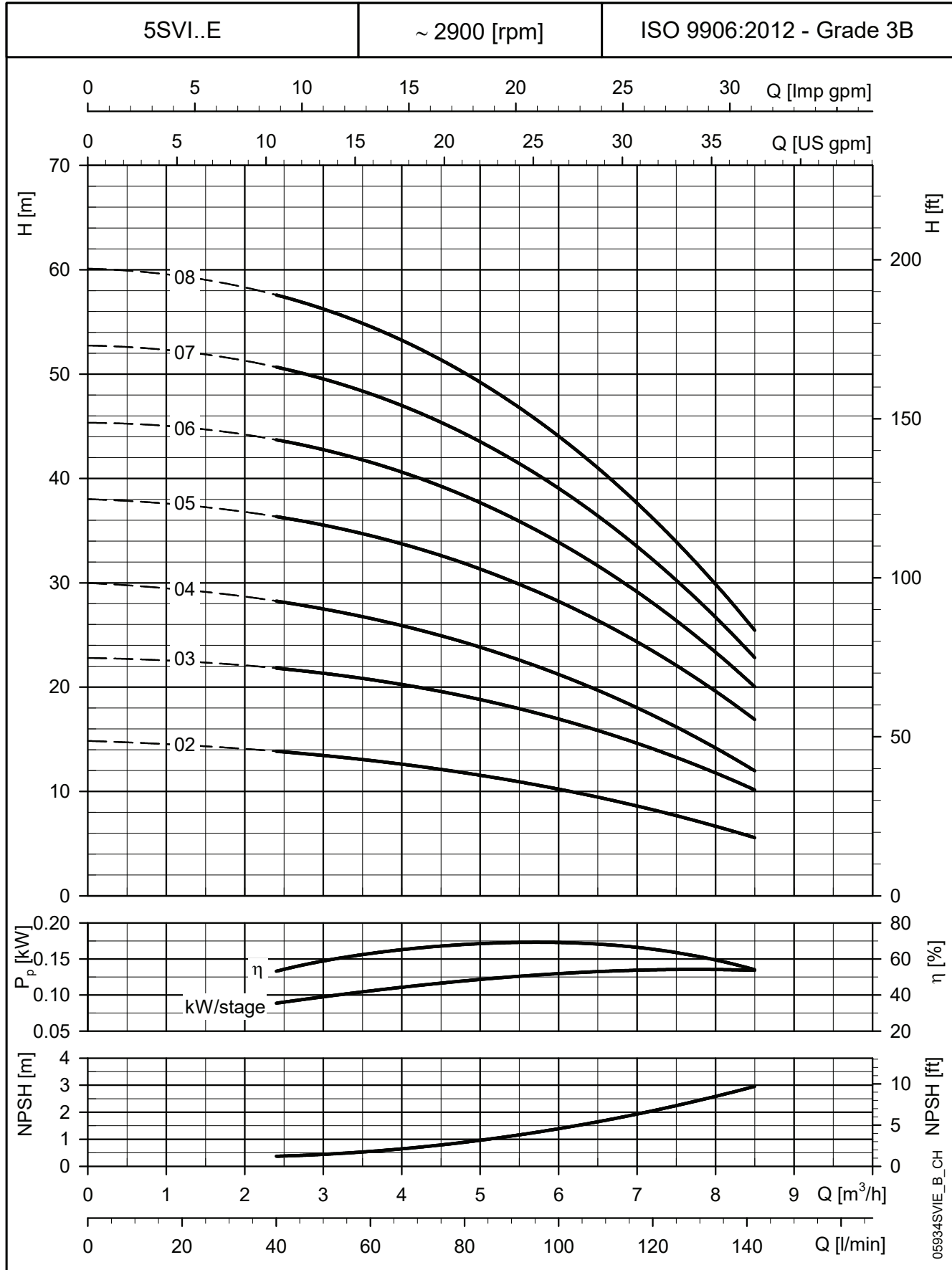
05000B\_C\_S

PUMP TYPE	Phase	MOTOR		DIMENSIONS (mm)						WEIGHT (kg)	
		kW	SIZE	L	L1	L2	M (max)	M1 (max)	D1 (max)	PUMP	ELECTRIC PUMP
5SVI03-03E..005	1~	0,55	71	409	166	243	113	-	142	2,9	13,4
5SVI04-04E..005		0,55	71	434	191	243	113	-	142	3,3	13,8
5SVI05-05E..007		0,75	71	459	216	243	113	-	142	3,7	15,7
5SVI06-06E..011		1,1	80	528	241	287	0	138	157	4,1	19,1
5SVI07-07E..011		1,1	80	553	266	287	0	138	157	4,4	19,4
5SVI08-08E..011		1,1	80	578	291	287	0	138	157	4,8	19,8
5SVI02-02E..003	3~	0,37	63	369	141	228	122	-	120	2,5	10,5
5SVI03-03E..005		0,55	71	409	166	243	132	-	140	2,9	12,9
5SVI04-04E..005		0,55	71	434	191	243	132	-	140	3,3	13,3
5SVI05-05E..007		0,75	80	503	216	287	-	140	155	3,7	16,7
5SVI06-06E..011		1,1	80	528	241	287	-	140	155	4,1	19,1
5SVI07-07E..011		1,1	80	553	266	287	-	140	155	4,4	19,4
5SVI08-08E..011	1,1	80	578	291	287	-	140	155	4,8	19,8	

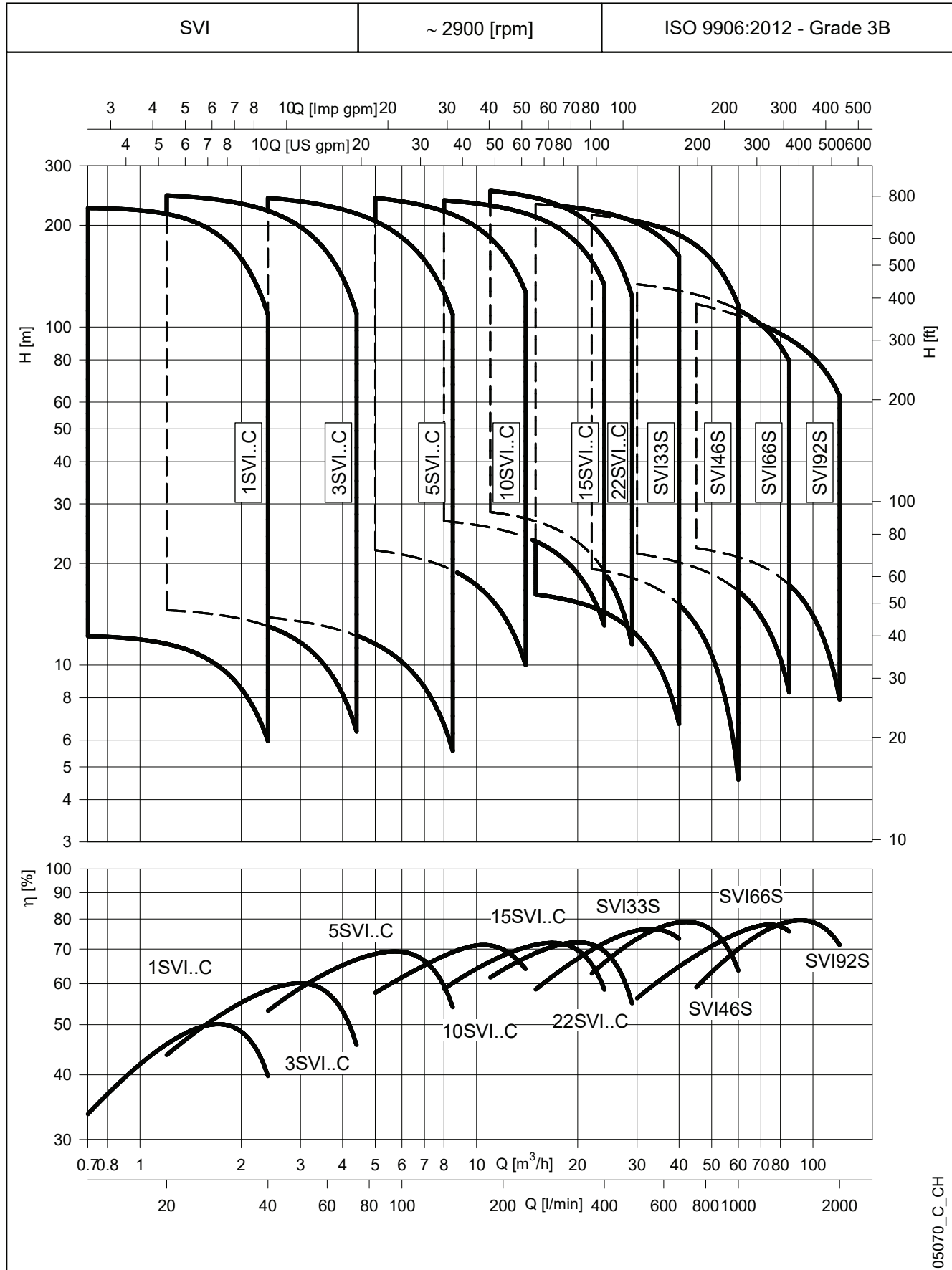
All listed dimensions are with inducer.

e.g. 5SVI05-05 has 5 stages with impeller and 1 inducer chamber.

5svi\_e-2p50-en\_c\_td

**5SVI..E SERIES**
**OPERATING CHARACTERISTICS AT 50 Hz, 2 POLES**

 These performances are valid for liquids with density  $\rho = 1.0 \text{ Kg/dm}^3$  and kinematic viscosity  $\nu = 1 \text{ mm}^2/\text{sec}$ .

**e-SVI SERIES - VERSION WITH COUPLING**  
**HYDRAULIC PERFORMANCE RANGE AT 50 Hz, 2 POLES**



05070\_C\_CH





## 10, 15, 22SVI SERIES - VERSION WITH COUPLING TABLE OF HYDRAULIC PERFORMANCES AT 50 Hz, 2 POLES

PUMP TYPE SVI...C SVI...M	RATED POWER		MEI ≥	Q = DELIVERY													
	kW	HP		l/min 0	83,34	100	133	170	183,3	233	270	330	350	400	430	460	483,3
				m <sup>3</sup> /h 0	5,0	6,0	8,0	10,2	11,0	14,0	16,2	19,8	21,0	24,0	25,8	27,6	29,0
H = TOTAL HEAD IN METRES OF COLUMN OF WATER																	
10SVI02-02..	0,75	1	0,70	23,6	21,9	21,3	19,6	17,0	15,8	10,0							
10SVI03-03..	1,1	1,5	0,70	35,7	33,0	32,1	29,6	25,8	24,1	16,0							
10SVI04-04..	1,5	2	0,70	47,7	44,2	43,0	39,9	34,8	32,6	21,7							
10SVI05-05..	2,2	3	0,70	60,0	56,1	54,7	50,9	44,9	42,2	29,0							
10SVI06-06..	2,2	3	0,70	71,8	66,8	65,0	60,4	53,1	49,8	33,9							
10SVI07-07..	3	4	0,70	83,6	78,3	76,2	70,8	62,1	58,3	39,8							
10SVI08-08..	3	4	0,70	95,3	88,9	86,5	80,1	70,2	65,7	44,5							
10SVI09-09..	4	5,5	0,70	106,3	100,1	97,5	90,8	80,0	75,1	52,1							
10SVI10-10..	4	5,5	0,70	118,0	110,8	107,9	100,3	88,2	82,8	57,2							
10SVI11-11..	4	5,5	0,70	129,6	121,3	118,1	109,6	96,3	90,3	62,1							
10SVI13-13..	5,5	7,5	0,70	156,0	146,5	142,7	132,6	116,4	109,2	74,3							
10SVI15-15..	5,5	7,5	0,70	179,5	167,9	163,4	151,6	132,8	124,3	83,9							
10SVI17-17..	7,5	10	0,70	205,0	193,2	188,5	175,7	154,7	145,2	98,8							
10SVI18-18..	7,5	10	0,70	216,9	204,2	199,1	185,5	163,2	153,1	104,0							
10SVI20-20..	7,5	10	0,70	240,6	226,0	220,3	205,0	180,2	168,9	114,3							
10SVI21-21..	11	15	0,70	253,6	241,0	235,5	220,2	195,0	183,5	127,5							
15SVI02-02..	2,2	3	0,70	28,7			26,7	25,9	25,5	23,9	22,4	18,9	17,4	13,1			
15SVI03-03..	3	4	0,70	43,3			40,4	39,1	38,6	36,2	33,8	28,7	26,5	20,1			
15SVI04-04..	4	5,5	0,70	58,4			54,7	53,1	52,5	49,4	46,3	39,7	36,9	28,7			
15SVI05-05..	4	5,5	0,70	72,7			67,8	65,8	65,0	61,0	57,1	48,7	45,2	34,9			
15SVI06-06..	5,5	7,5	0,70	87,6			81,5	79,4	78,4	74,1	69,9	60,3	56,3	44,2			
15SVI07-07..	5,5	7,5	0,70	101,9			94,5	91,9	90,8	85,7	80,6	69,4	64,7	50,5			
15SVI08-08..	7,5	10	0,70	117,4			110,9	108,0	106,8	100,8	94,9	82,0	76,7	60,6			
15SVI09-09..	7,5	10	0,70	131,9			124,4	121,0	119,6	112,8	106,1	91,5	85,5	67,4			
15SVI10-10..	11	15	0,70	147,7			138,8	135,3	133,8	126,7	119,6	103,9	97,4	77,5			
15SVI11-11..	11	15	0,70	162,3			152,4	148,5	146,8	138,9	131,1	113,8	106,5	84,7			
15SVI13-13..	11	15	0,70	191,3			179,2	174,5	172,5	163,1	153,7	133,1	124,5	98,6			
15SVI15-15..	15	20	0,70	222,1			209,9	204,8	202,6	192,2	181,7	158,3	148,5	118,8			
15SVI17-17..	15	20	0,70	251,6			237,3	231,4	228,9	216,9	205,0	178,4	167,3	133,6			
22SVI02-02..	2,2	3	0,70	30,4					28,4	27,2	26,0	23,3	22,2	18,9	16,6	13,8	11,5
22SVI03-03..	3	4	0,70	45,4					42,2	40,4	38,5	34,5	32,8	27,8	24,2	20,2	16,6
22SVI04-04..	4	5,5	0,70	60,9					56,8	54,4	51,9	46,6	44,4	37,9	33,1	27,7	23,0
22SVI05-05..	5,5	7,5	0,70	76,0					70,9	67,9	64,9	58,3	55,6	47,4	41,4	34,7	28,8
22SVI06-06..	7,5	10	0,70	93,2					88,8	85,7	82,5	75,4	72,4	63,3	56,7	49,1	42,6
22SVI07-07..	7,5	10	0,70	108,5					103,1	99,4	95,7	87,2	83,7	73,1	65,3	56,5	48,8
22SVI08-08..	11	15	0,70	124,6					119,2	115,2	111,0	101,6	97,7	85,7	77,0	66,9	58,2
22SVI09-09..	11	15	0,70	140,1					133,7	129,2	124,4	113,8	109,3	95,8	86,0	74,6	64,8
22SVI10-10..	11	15	0,70	155,4					148,2	143,1	137,8	125,9	120,9	105,8	94,8	82,3	71,3
22SVI12-12..	15	20	0,70	186,1					178,6	172,9	166,8	152,9	147,0	129,1	115,9	100,7	87,4
22SVI14-14..	15	20	0,70	216,6					207,7	200,9	193,7	177,4	170,4	149,4	133,9	116,1	100,6
22SVI17-17..	18,5	25	0,70	263,5					252,8	244,7	236,0	216,2	207,8	182,3	163,6	142,0	123,2

Hydraulic performances in compliance with ISO 9906:2012 - Grade 3B (ex ISO 9906:1999 - Annex A)

10-22siv-2p50-en\_b\_th

## SVI33, 46 SERIES - VERSION WITH COUPLING

### TABLE OF HYDRAULIC PERFORMANCES AT 50 Hz, 2 POLES

PUMP TYPE SVI..S SVI..N	RATED POWER		MEI ≥	Q = DELIVERY											
	kW	HP		l/min 0	250	300	366,7	400	500	600	666,7	700	800	900	1000
				m <sup>3</sup> /h 0	15	18	22	24	30	36	40	42	48	54	60
H = TOTAL HEAD METRES COLUMN OF WATER															
SVI 3301/1..	2,2	3	0,70	17,4	16,2	15,7	14,9	14,3	12,2	9,3	6,7				
SVI 3301..	3	4	0,70	23,8	21,7	21,2	20,3	19,8	17,8	15,0	12,7				
SVI 3302/2..	4	5,5	0,70	35,1	34,1	33,3	31,8	30,8	26,9	21,4	16,6				
SVI 3302/1..	4	5,5	0,70	40,8	38,8	37,9	36,3	35,4	31,7	26,6	22,3				
SVI 3303/2..	5,5	7,5	0,70	57,7	55,2	53,8	51,4	49,9	44,1	36,2	29,6				
SVI 3303..	7,5	10	0,70	71,5	67,4	66,2	64,0	62,7	57,7	50,7	44,6				
SVI 3304..	11	15	0,70	95,9	91,1	89,7	87,2	85,7	79,6	70,8	63,1				
SVI 3305/1..	11	15	0,70	112,7	107,2	105,3	101,9	99,8	91,7	80,0	70,0				
SVI 3306/2..	15	20	0,70	131,2	126,9	124,6	120,3	117,7	107,5	93,2	81,2				
SVI 3307/2..	15	20	0,70	156,0	149,9	147,3	142,7	139,8	128,4	112,2	98,2				
SVI 3307..	18,5	25	0,70	170,3	162,8	160,2	155,7	153,0	142,2	126,7	113,2				
SVI 3308/1..	18,5	25	0,70	187,4	179,5	176,5	171,3	168,1	155,5	137,4	121,7				
SVI 3309/1..	22	30	0,70	210,2	201,2	197,8	191,8	188,2	173,8	153,4	135,9				
SVI 3310/2..	22	30	0,70	226,4	217,2	213,4	206,8	202,6	186,4	163,5	143,9				
SVI 3310..	30	40	0,70	241,8	231,3	227,8	221,7	217,9	202,9	181,1	162,1				
SVI 4601/1..	3	4	0,70	19,5			19,2	19,0	17,9	16,4	15,1	14,4	11,7	8,5	4,6
SVI 4601..	4	5,5	0,70	27,2			24,0	23,7	22,5	21,1	19,9	19,3	17,1	14,3	10,8
SVI 4602/2..	5,5	7,5	0,70	38,8			39,8	39,4	37,8	35,2	32,9	31,6	26,9	21,1	13,9
SVI 4602..	7,5	10	0,70	52,6			48,5	48,0	46,1	43,7	41,7	40,6	36,5	31,4	25,1
SVI 4603..	11	15	0,70	80,8			74,3	73,5	70,9	67,4	64,6	62,9	57,1	49,8	40,7
SVI 4604/2..	15	20	0,70	92,4			90,7	89,9	86,9	82,5	78,6	76,3	68,3	58,2	45,6
SVI 4605..	18,5	25	0,70	134,5			125,1	124,0	120,0	114,7	110,2	107,6	98,3	86,4	71,5
SVI 4606..	22	30	0,70	161,0			149,8	148,5	143,8	137,4	132,0	128,9	117,8	103,7	86,0
SVI 4607/2..	30	40	0,70	171,3			164,9	163,6	158,3	150,8	144,3	140,6	127,1	109,9	88,6
SVI 4608/2..	30	40	0,70	198,2			190,0	188,4	182,4	173,8	166,4	162,2	146,9	127,3	103,1
SVI 4609/2..	30	40	0,70	224,8			214,5	212,6	205,6	195,7	187,3	182,5	165,2	143,2	116,0

Hydraulic performances in compliance with ISO 9906:2012 - Grade 3B (ex ISO 9906:1999 - Annex A)

svi33-46-2p50-en\_d\_th

## SVI66, 92 SERIES - VERSION WITH COUPLING

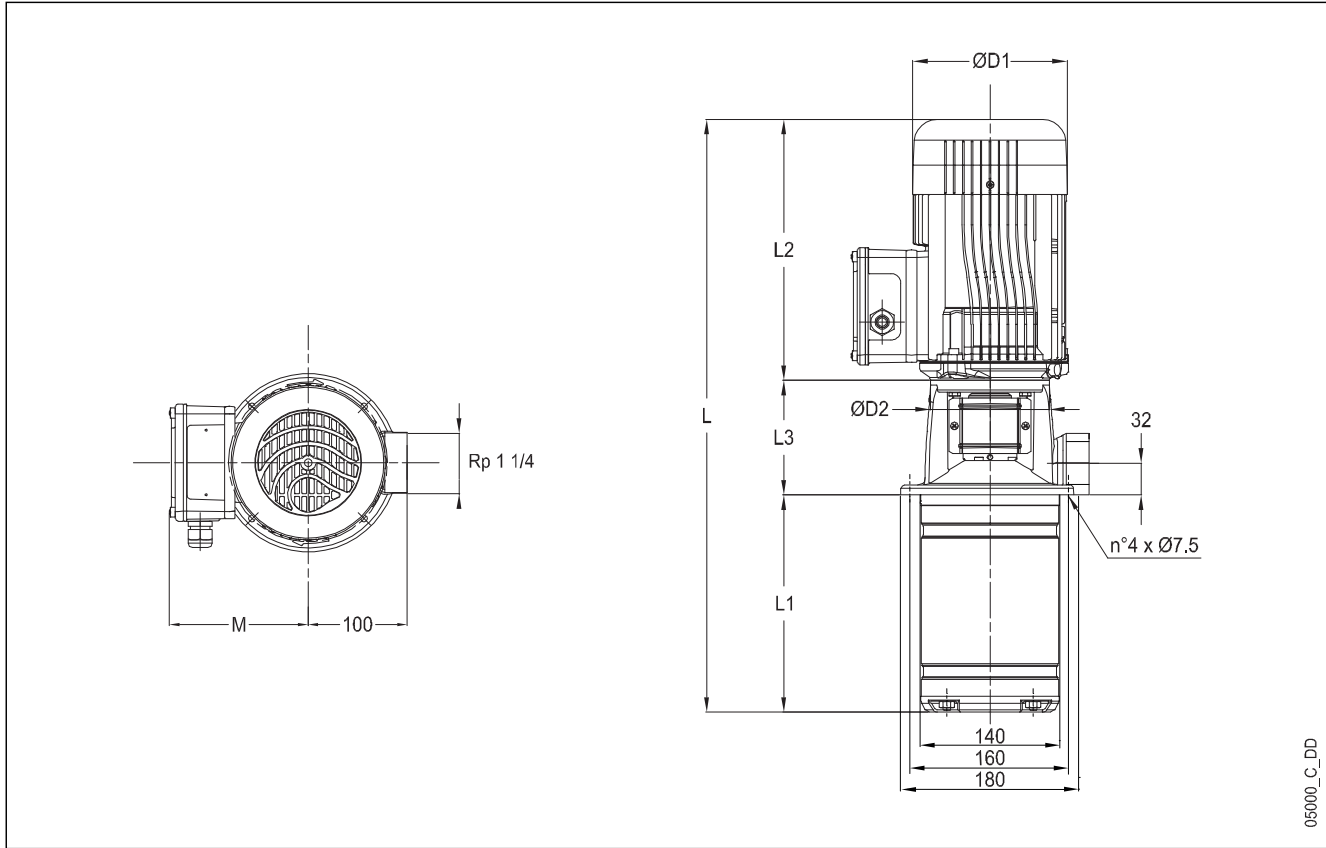
### TABLE OF HYDRAULIC PERFORMANCES AT 50 Hz, 2 POLES

PUMP TYPE SVI..S SVI..N	RATED POWER		MEI ≥	Q = DELIVERY											
	kW	HP		l/min 0	500	600	750	900	1000	1100	1200	1416,7	1600	1800	2000
				m <sup>3</sup> /h 0	30	36	45	54	60	66	72	85	96	108	120
H = TOTAL HEAD METRES COLUMN OF WATER															
SVI 6601/1..	4	5,5	0,60	23,8	21,4	20,7	19,4	17,8	16,6	15,1	13,3	8,3			
SVI 6601..	5,5	7,5	0,60	29,2	25,8	24,8	23,3	21,8	20,7	19,4	17,9	13,4			
SVI 6602/2..	7,5	10	0,60	47,5	42,6	41,2	38,6	35,5	32,9	30,0	26,4	16,4			
SVI 6602..	11	15	0,60	60,4	55,7	54,4	52,0	49,3	47,1	44,7	42,0	34,6			
SVI 6603/2..	15	20	0,60	78,4	71,6	69,6	65,9	61,5	57,9	53,8	49,0	35,3			
SVI 6603..	18,5	25	0,60	91,4	84,7	82,7	79,3	75,2	72,0	68,5	64,4	53,5			
SVI 6604/1..	22	30	0,60	115,2	105,9	103,1	98,5	92,9	88,6	83,6	77,8	61,7			
SVI 6605/1..	30	40	0,60	145,6	134,0	130,5	124,7	117,8	112,4	106,3	99,2	79,4			
SVI 9201/1..	5,5	7,5	0,70	24,5			22,2	21,5	20,9	20,2	19,4	17,3	15,0	11,8	7,9
SVI 9201..	7,5	10	0,70	33,5			28,7	27,2	26,2	25,3	24,3	22,2	20,2	17,6	14,3
SVI 9202/2..	11	15	0,70	49,4			45,1	43,7	42,5	41,2	39,6	35,5	30,9	24,6	16,8
SVI 9202..	15	20	0,70	67,8			58,2	55,3	53,4	51,4	49,5	45,3	41,4	36,3	29,6
SVI 9203/2..	18,5	25	0,70	82,4			74,4	71,6	69,6	67,3	64,8	58,6	52,2	43,6	32,9
SVI 9203..	22	30	0,70	102,2			88,2	84,0	81,2	78,4	75,5	69,2	63,4	55,9	46,3
SVI 9204/2..	30	40	0,70	115,7			104,0	99,9	97,0	93,8	90,4	82,2	73,8	62,8	49,0
SVI 9204..	30	40	0,70	133,1			117,0	111,7	108,0	104,4	100,6	92,3	84,6	74,8	62,5

Hydraulic performances in compliance with ISO 9906:2012 - Grade 3B (ex ISO 9906:1999 - Annex A)

svi66-92-2p50-en\_e\_th

## 1SVI..C - 1SVI..M SERIES (from 2 to 15 stages) DIMENSIONS AND WEIGHTS AT 50 Hz, 2 POLES



05000\_C\_DD

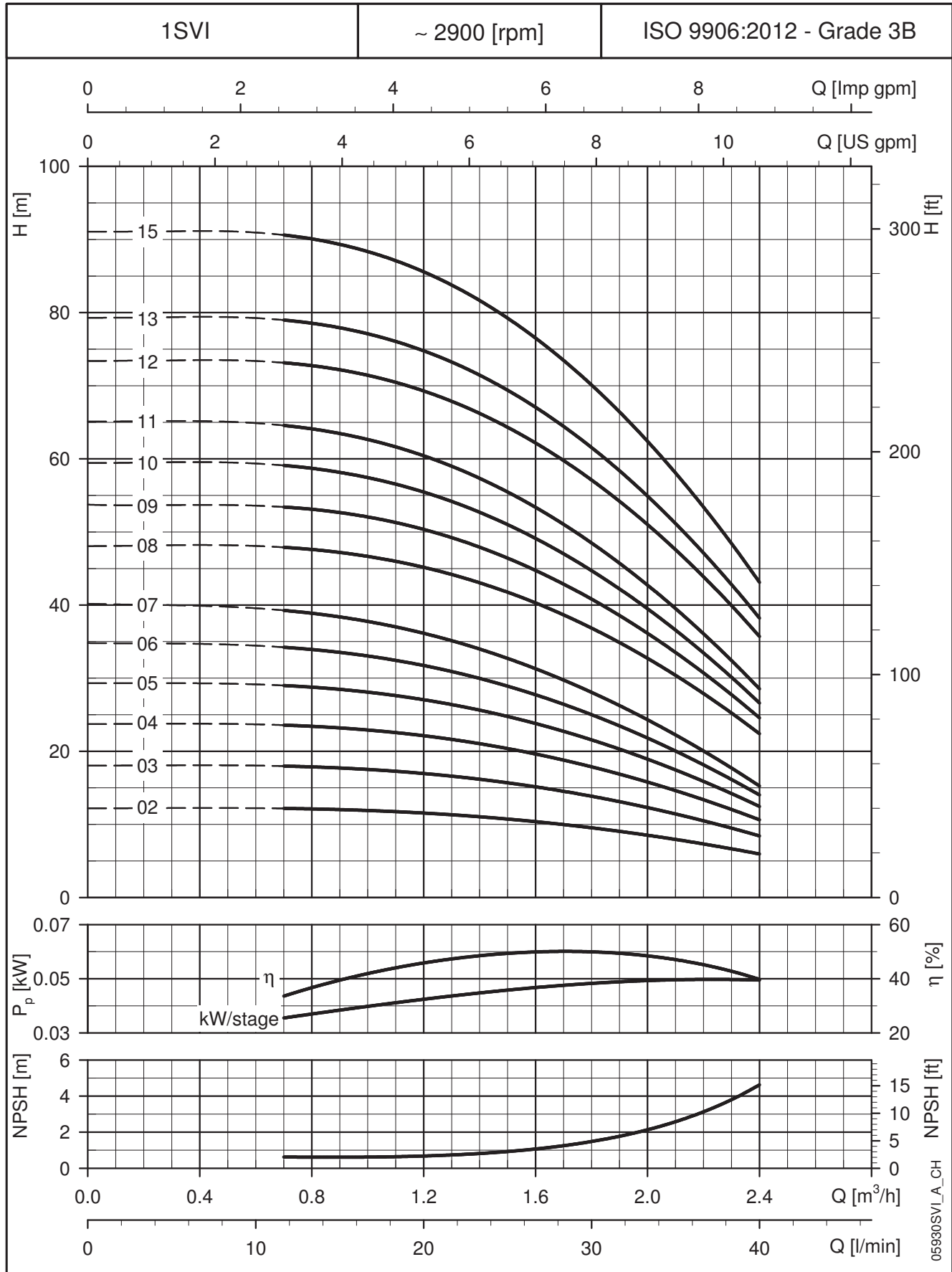
PUMP TYPE	MOTOR		DIMENSIONS (mm)										WEIGHT (kg)			
			L		L1	L2		L3	M		D1		D2	PUMP	ELECTRIC PUMP	
	1~	3~	1~	3~		1~	3~		1~	3~	1~	3~			1~	3~
1SVI02-02..003	0,37	71R	433,5	433,5	119	209	209	105,5	111	122	120	120	105	6	12	12
1SVI03-03..003	0,37	71R	453,5	453,5	139	209	209	105,5	111	122	120	120	105	7	12	12
1SVI04-04..003	0,37	71R	473,5	473,5	159	209	209	105,5	111	122	120	120	105	7	12	12
1SVI05-05..003	0,37	71R	493,5	493,5	179	209	209	105,5	111	122	120	120	105	7	13	13
1SVI06-06..003	0,37	71R	513,5	513,5	199	209	209	105,5	111	122	120	120	105	8	13	13
1SVI07-07..003	0,37	71R	533,5	533,5	219	209	209	105,5	111	122	120	120	105	8	14	14
1SVI08-08..005	0,55	71	575,5	575,5	239	231	231	105,5	121	132	140	140	105	9	16	16
1SVI09-09..005	0,55	71	595,5	595,5	259	231	231	105,5	121	132	140	140	105	9	17	16
1SVI10-10..005	0,55	71	615,5	615,5	279	231	231	105,5	121	132	140	140	105	9	17	17
1SVI11-11..005	0,55	71	635,5	635,5	299	231	231	105,5	121	132	140	140	105	10	17	17
1SVI12-12..007	0,75	80	660,5	697,5	319	226	263	115,5	121	140	140	155	120	11	21	21
1SVI13-13..007	0,75	80	680,5	717,5	339	226	263	115,5	121	140	140	155	120	11	21	21
1SVI15-15..007	0,75	80	720,5	757,5	379	226	263	115,5	121	140	140	155	120	12	22	22

All listed dimensions are with inducer.

e.g. 1SVI10-10 has 10 stages with impeller and 1 inducer chamber.

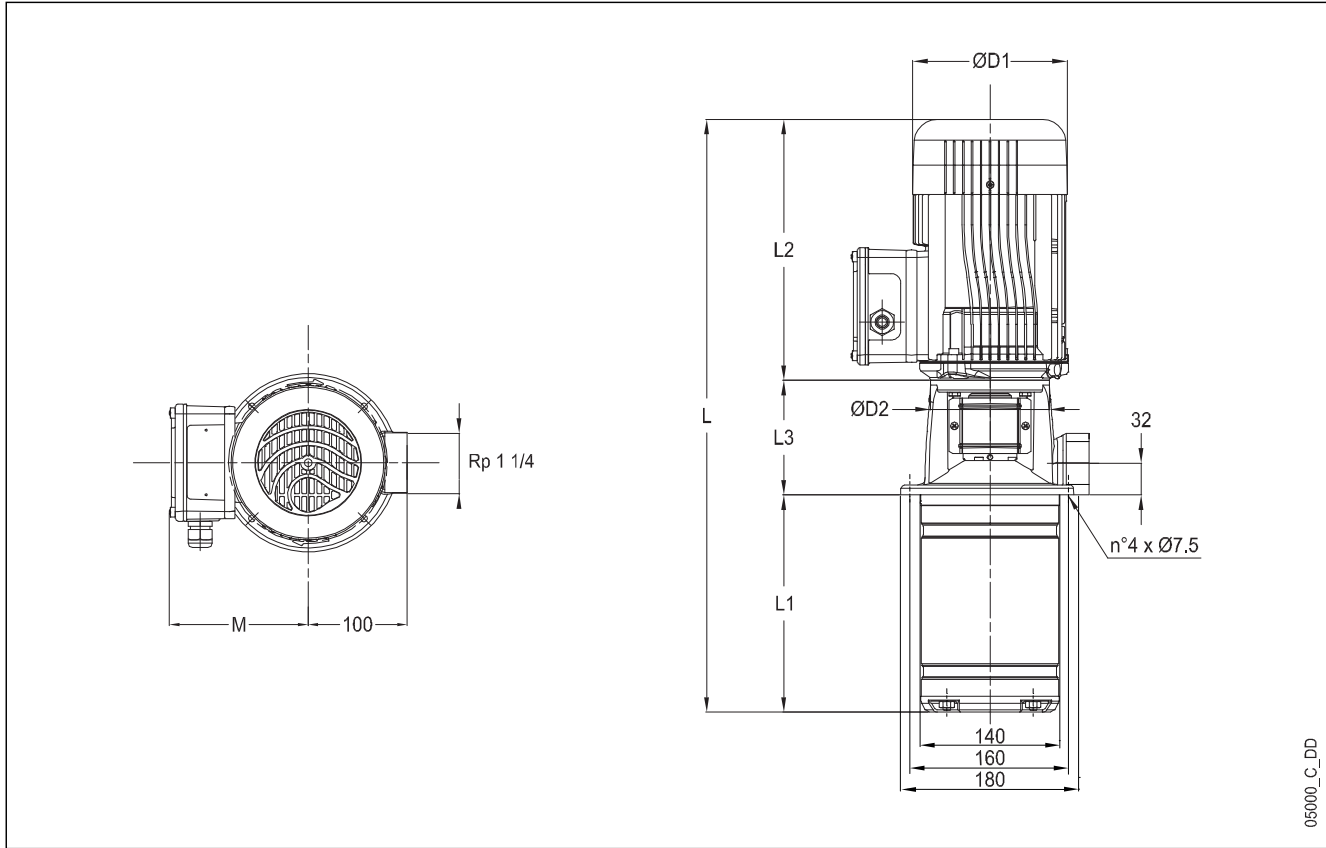
1svi\_c-2p50-1-en\_a\_td

**1SVI..C - 1SVI..M SERIES (from 2 to 15 stages)**  
**OPERATING CHARACTERISTICS AT 50 Hz, 2 POLES**



These performances are valid for liquids with density  $\rho = 1.0 \text{ Kg/dm}^3$  and kinematic viscosity  $\nu = 1 \text{ mm}^2/\text{sec}$ .

## 1SVI..C - 1SVI..M SERIES (from 17 to 37 stages) DIMENSIONS AND WEIGHTS AT 50 Hz, 2 POLES



05000\_C\_DD

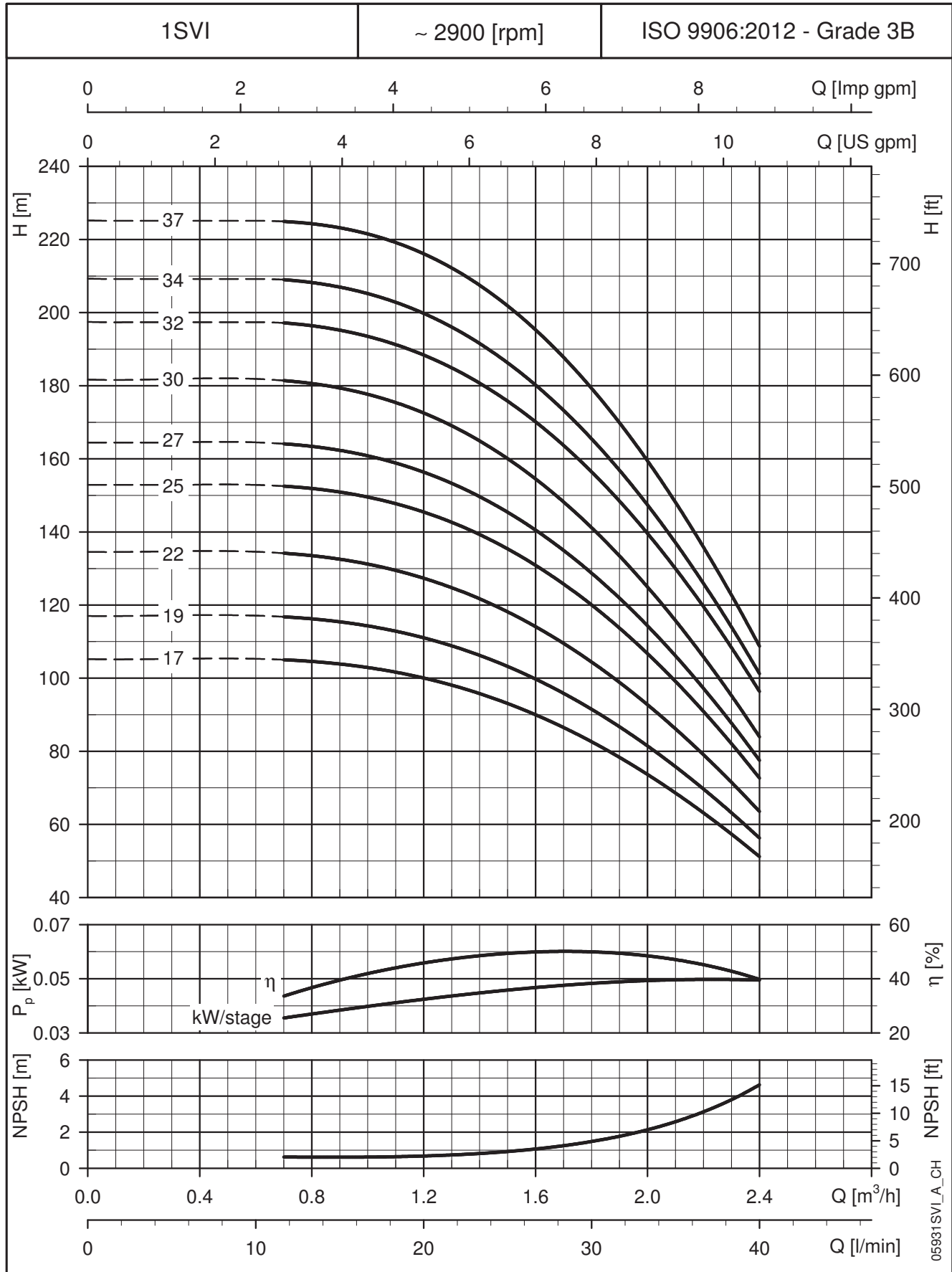
PUMP TYPE	MOTOR		DIMENSIONS (mm)											WEIGHT (kg)		
			L		L1	L2		L3	M		D1		D2	PUMP	ELECTRIC PUMP	
	kW	SIZE	1~	3~		1~	3~		1~	3~	1~	3~			1~	3~
1SVI17-17..011	1,1	80	797,5	797,5	419	263	263	115,5	137	140	155	155	120	13	23	23
1SVI19-19..011	1,1	80	837,5	837,5	459	263	263	115,5	137	140	155	155	120	13	24	23
1SVI22-22..011	1,1	80	897,5	897,5	519	263	263	115,5	137	140	155	155	120	14	25	25
1SVI25-25..015	1,5	90R	967,5	967,5	579	263	263	125,5	137	140	155	155	140	16	29	28
1SVI27-27..015	1,5	90R	1007,5	1007,5	619	263	263	125,5	137	140	155	155	140	17	30	29
1SVI30-30..015	1,5	90R	1067,5	1067,5	679	263	263	125,5	137	140	155	155	140	18	31	30
1SVI32-32..022	2,2	90	1142,5	1142,5	719	298	298	125,5	151	134	174	174	140	19	40	37
1SVI34-34..022	2,2	90	1182,5	1182,5	759	298	298	125,5	151	134	174	174	140	19	40	37
1SVI37-37..022	2,2	90	1242,5	1242,5	819	298	298	125,5	151	134	174	174	140	21	42	39

All listed dimensions are with inducer.

1svi\_c-2p50-2-en\_a\_td

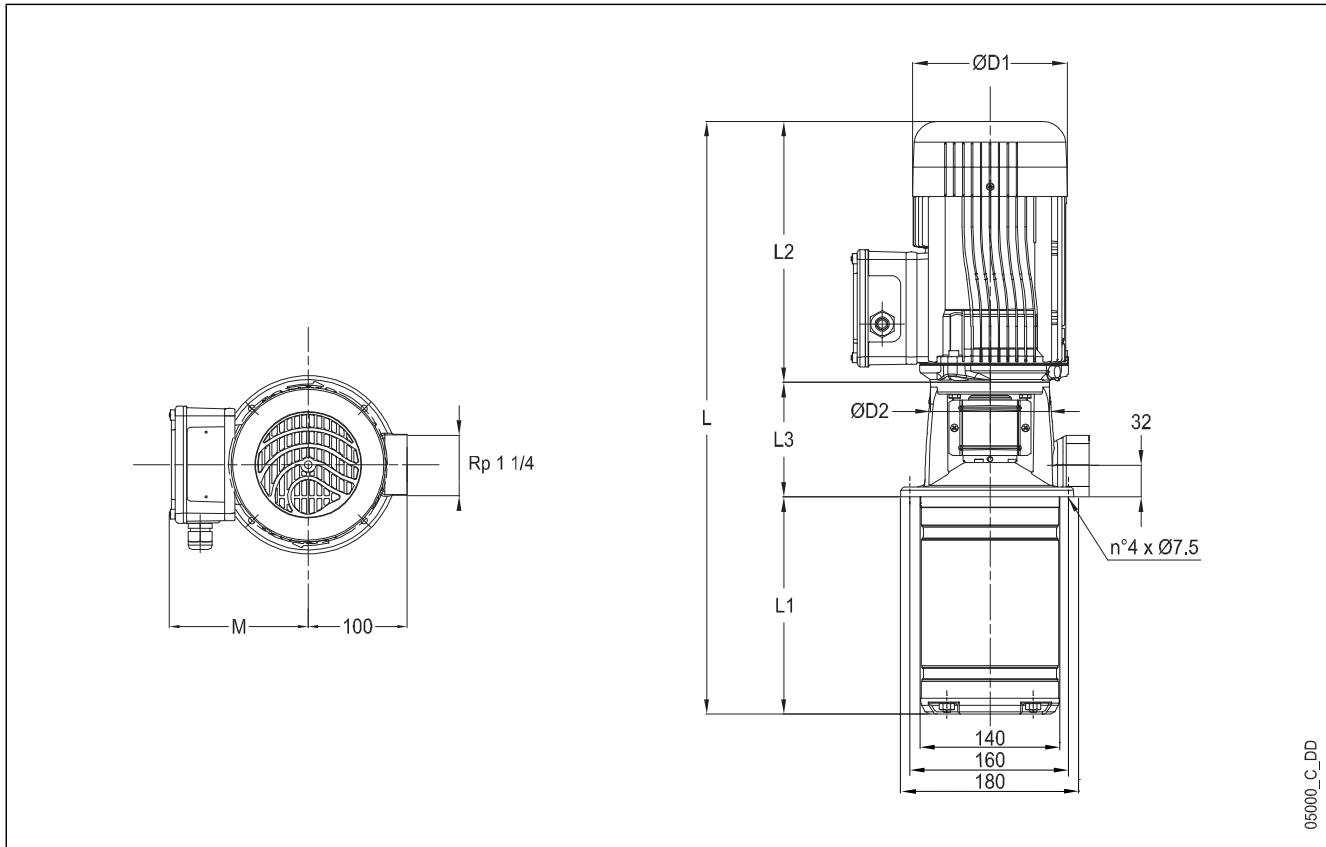
e.g. 1SVI37-37 has 37 stages with impeller and 1 inducer chamber.

**1SVI..C - 1SVI..M SERIES (from 17 to 37 stages)**  
**OPERATING CHARACTERISTICS AT 50 Hz, 2 POLES**



These performances are valid for liquids with density  $\rho = 1.0 \text{ Kg/dm}^3$  and kinematic viscosity  $\nu = 1 \text{ mm}^2/\text{sec}$ .

### 3SVI..C - 3SVI..M SERIES DIMENSIONS AND WEIGHTS AT 50 Hz, 2 POLES



05000\_C\_DD

PUMP TYPE	MOTOR		DIMENSIONS (mm)										WEIGHT (kg)			
			L		L1	L2		L3	M		D1		D2	PUMP	ELECTRIC PUMP	
	kW	SIZE	1~	3~		1~	3~		1~	3~	1~	3~			1~	3~
3SVI02-02..003	0,37	71R	433,5	433,5	119	209	209	105,5	111	122	120	120	105	6	12	12
3SVI03-03..003	0,37	71R	453,5	453,5	139	209	209	105,5	111	122	120	120	105	7	12	12
3SVI04-04..003	0,37	71R	473,5	473,5	159	209	209	105,5	111	122	120	120	105	7	13	12
3SVI05-05..005	0,55	71	515,5	515,5	179	231	231	105,5	121	132	140	140	105	8	15	15
3SVI06-06..005	0,55	71	535,5	535,5	199	231	231	105,5	121	132	140	140	105	8	15	15
3SVI07-07..007	0,75	80	560,5	597,5	219	226	263	115,5	121	140	140	155	120	9	19	19
3SVI08-08..007	0,75	80	580,5	617,5	239	226	263	115,5	121	140	140	155	120	9	19	19
3SVI09-09..011	1,1	80	637,5	637,5	259	263	263	115,5	137	140	155	155	120	10	20	20
3SVI10-10..011	1,1	80	657,5	657,5	279	263	263	115,5	137	140	155	155	120	10	20	20
3SVI11-11..011	1,1	80	677,5	677,5	299	263	263	115,5	137	140	155	155	120	10	21	20
3SVI12-12..011	1,1	80	697,5	697,5	319	263	263	115,5	137	140	155	155	120	11	21	21
3SVI13-13..015	1,5	90R	727,5	727,5	339	263	263	125,5	137	140	155	155	140	12	25	23
3SVI14-14..015	1,5	90R	747,5	747,5	359	263	263	125,5	137	140	155	155	140	12	25	24
3SVI16-16..015	1,5	90R	787,5	787,5	399	263	263	125,5	137	140	155	155	140	13	26	25
3SVI19-19..022	2,2	90	882,5	882,5	459	298	298	125,5	151	134	174	174	140	14	35	32
3SVI21-21..022	2,2	90	922,5	922,5	499	298	298	125,5	151	134	174	174	140	15	36	33
3SVI23-23..022	2,2	90	962,5	962,5	539	298	298	125,5	151	134	174	174	140	15	36	33
3SVI25-25..022	2,2	90	1003	1003	579	298	298	125,5	151	134	174	174	140	16	37	34
3SVI27-27..030	3	100R	-	1053	619	-	298	135,5	-	134	-	174	160	18	-	39
3SVI29-29..030	3	100R	-	1093	659	-	298	135,5	-	134	-	174	160	18	-	39
3SVI31-31..030	3	100R	-	1133	699	-	298	135,5	-	134	-	174	160	19	-	40
3SVI33-33..030	3	100R	-	1173	739	-	298	135,5	-	134	-	174	160	20	-	41

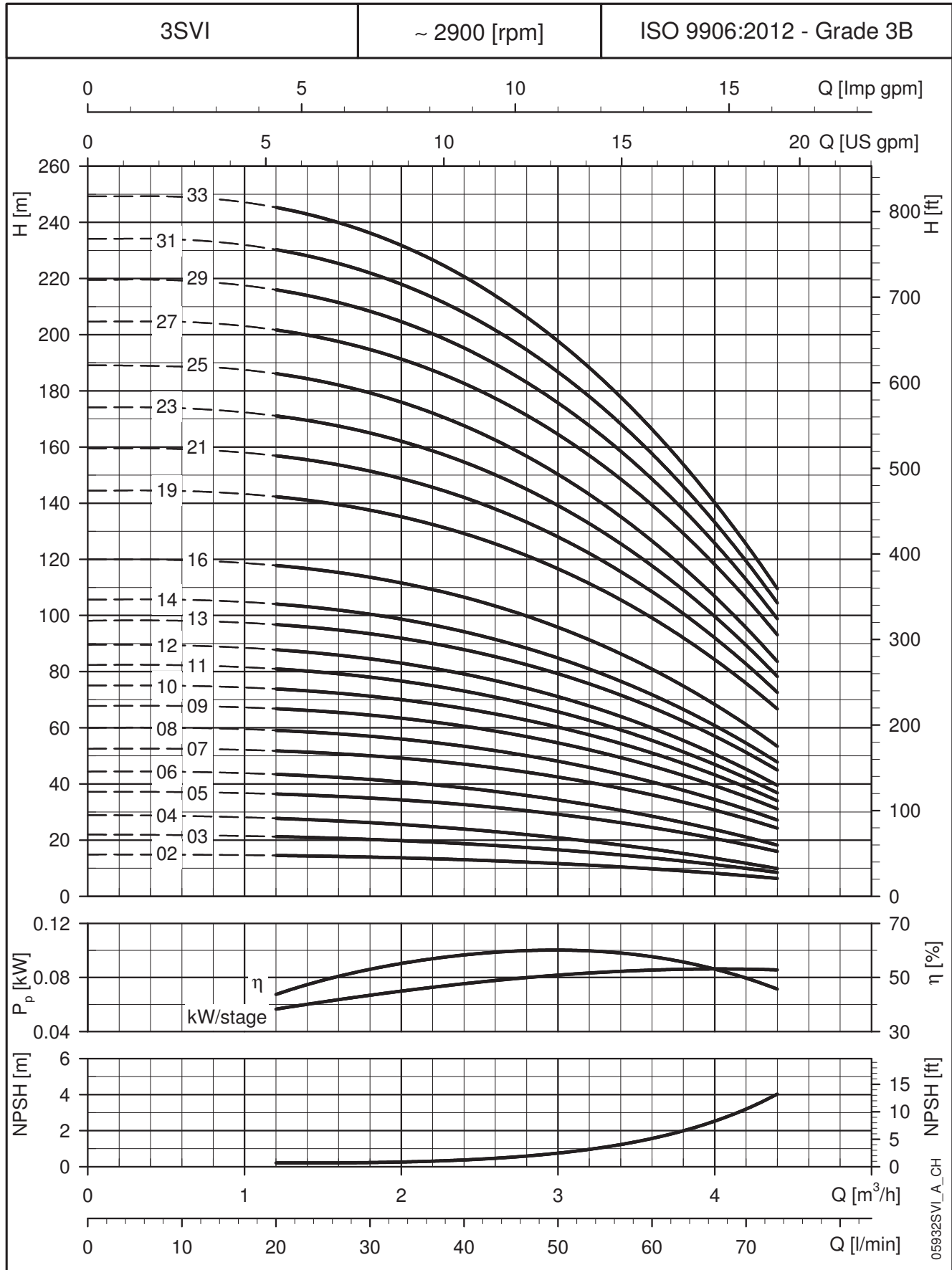
All listed dimensions are with inducer.

e.g. 3SVI33-33 has 33 stages with impeller and 1 inducer chamber.

3svi\_c-2p50-en\_a\_td

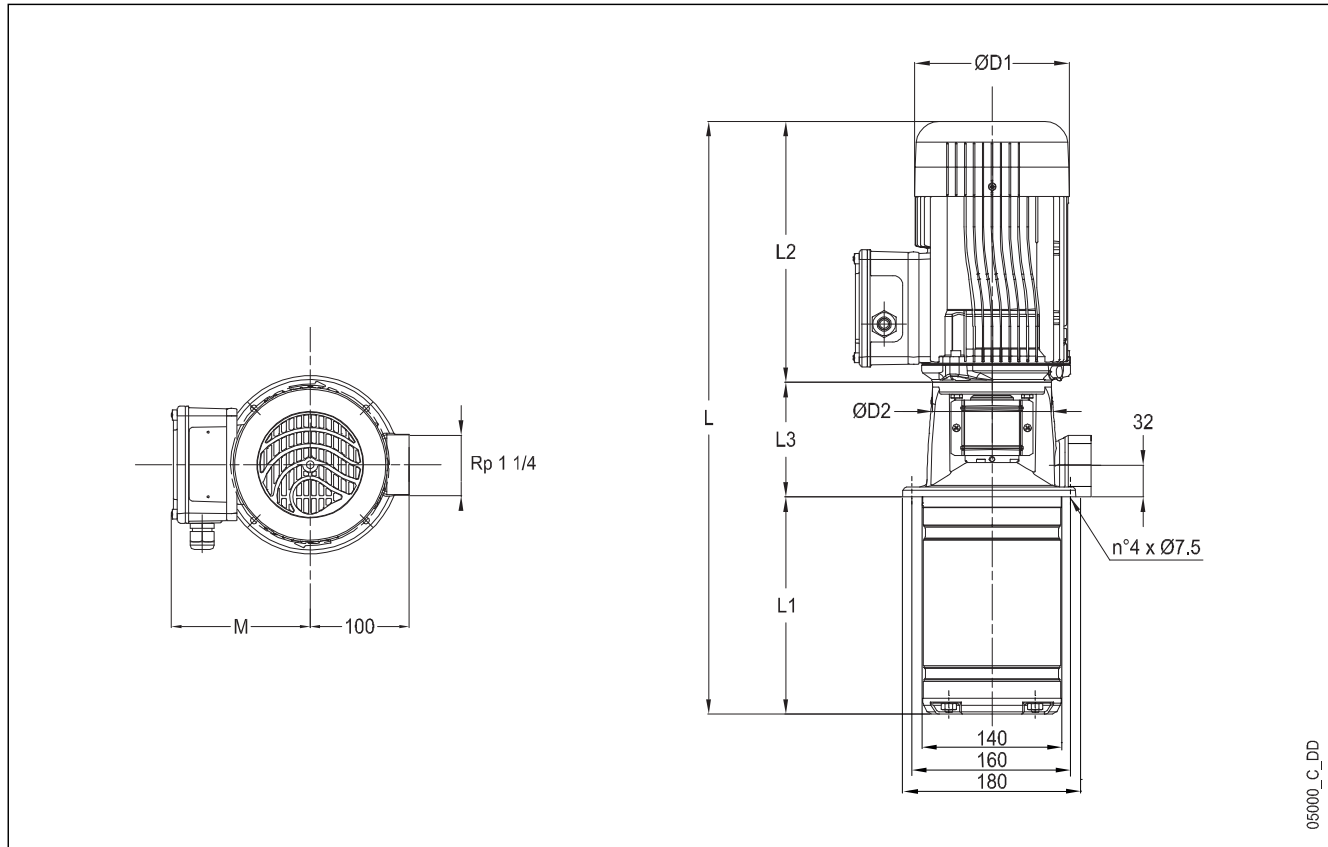


**3SVI..C - 3SVI..M SERIES**  
**OPERATING CHARACTERISTICS AT 50 Hz, 2 POLES**



These performances are valid for liquids with density  $\rho = 1.0 \text{ Kg/dm}^3$  and kinematic viscosity  $\nu = 1 \text{ mm}^2/\text{sec}$ .

## 5SVI..C - 5SVI..M SERIES DIMENSIONS AND WEIGHTS AT 50 Hz, 2 POLES



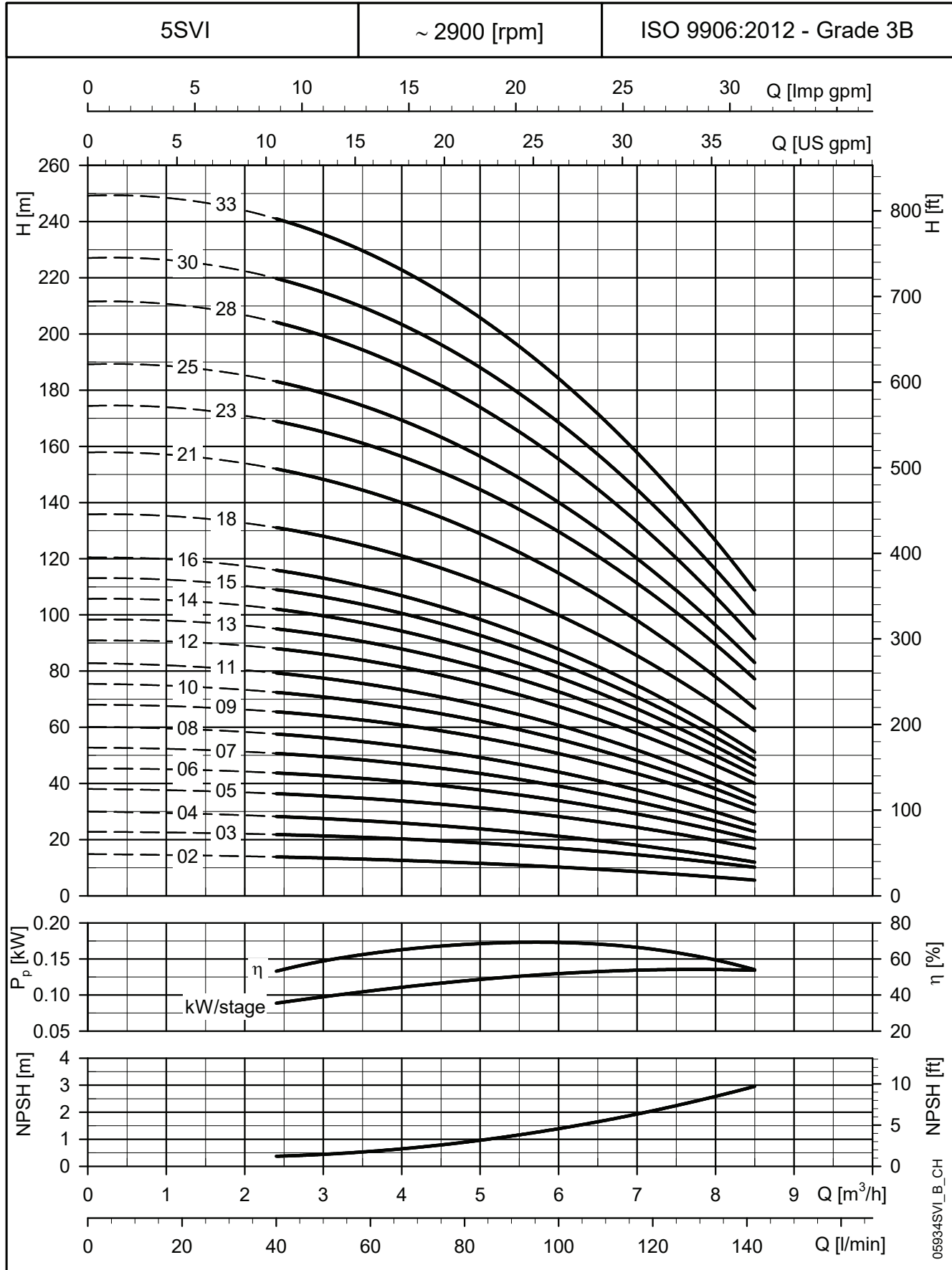
05000\_C\_DD

PUMP TYPE	MOTOR		DIMENSIONS (mm)										WEIGHT (kg)			
			L		L1	L2		L3	M		D1		D2	PUMP	ELECTRIC PUMP	
	kW	SIZE	1~	3~		1~	3~		1~	3~	1~	3~			1~	3~
5SVI02-02..003	0,37	71R	448,5	448,5	134	209	209	105,5	111	122	120	120	105	7	12	12
5SVI03-03..005	0,55	71	495,5	495,5	159	231	231	105,5	121	132	140	140	105	7	15	14
5SVI04-04..005	0,55	71	520,5	520,5	184	231	231	105,5	121	132	140	140	105	8	15	15
5SVI05-05..007	0,75	80	550,5	587,5	209	226	263	115,5	121	140	140	155	120	8	19	19
5SVI06-06..011	1,1	80	612,5	612,5	234	263	263	115,5	137	140	155	155	120	9	19	19
5SVI07-07..011	1,1	80	637,5	637,5	259	263	263	115,5	137	140	155	155	120	9	20	19
5SVI08-08..011	1,1	80	662,5	662,5	284	263	263	115,5	137	140	155	155	120	10	20	20
5SVI09-09..015	1,5	90R	697,5	697,5	309	263	263	125,5	137	140	155	155	140	11	24	22
5SVI10-10..015	1,5	90R	722,5	722,5	334	263	263	125,5	137	140	155	155	140	11	24	23
5SVI11-11..015	1,5	90R	747,5	747,5	359	263	263	125,5	137	140	155	155	140	11	25	23
5SVI12-12..022	2,2	90	807,5	807,5	384	298	298	125,5	151	134	174	174	140	12	33	30
5SVI13-13..022	2,2	90	832,5	832,5	409	298	298	125,5	151	134	174	174	140	12	33	30
5SVI14-14..022	2,2	90	857,5	857,5	434	298	298	125,5	151	134	174	174	140	13	34	31
5SVI15-15..022	2,2	90	882,5	882,5	459	298	298	125,5	151	134	174	174	140	13	34	31
5SVI16-16..022	2,2	90	907,5	907,5	484	298	298	125,5	151	134	174	174	140	14	35	32
5SVI18-18..030	3	100R	-	967,5	534	-	298	135,5	-	134	-	174	160	15	-	36
5SVI21-21..030	3	100R	-	1043	609	-	298	135,5	-	134	-	174	160	16	-	37
5SVI23-23..040	4	112R	-	1114	659	-	319	135,5	-	154	-	197	160	17	-	44
5SVI25-25..040	4	112R	-	1164	709	-	319	135,5	-	154	-	197	160	18	-	45
5SVI28-28..040	4	112R	-	1239	784	-	319	135,5	-	154	-	197	160	20	-	46
5SVI30-30..055	5,5	132R	-	1365	834	-	375	155,5	-	168	-	214	300	24	-	62
5SVI33-33..055	5,5	132R	-	1440	909	-	375	155,5	-	168	-	214	300	26	-	63

All listed dimensions are with inducer.

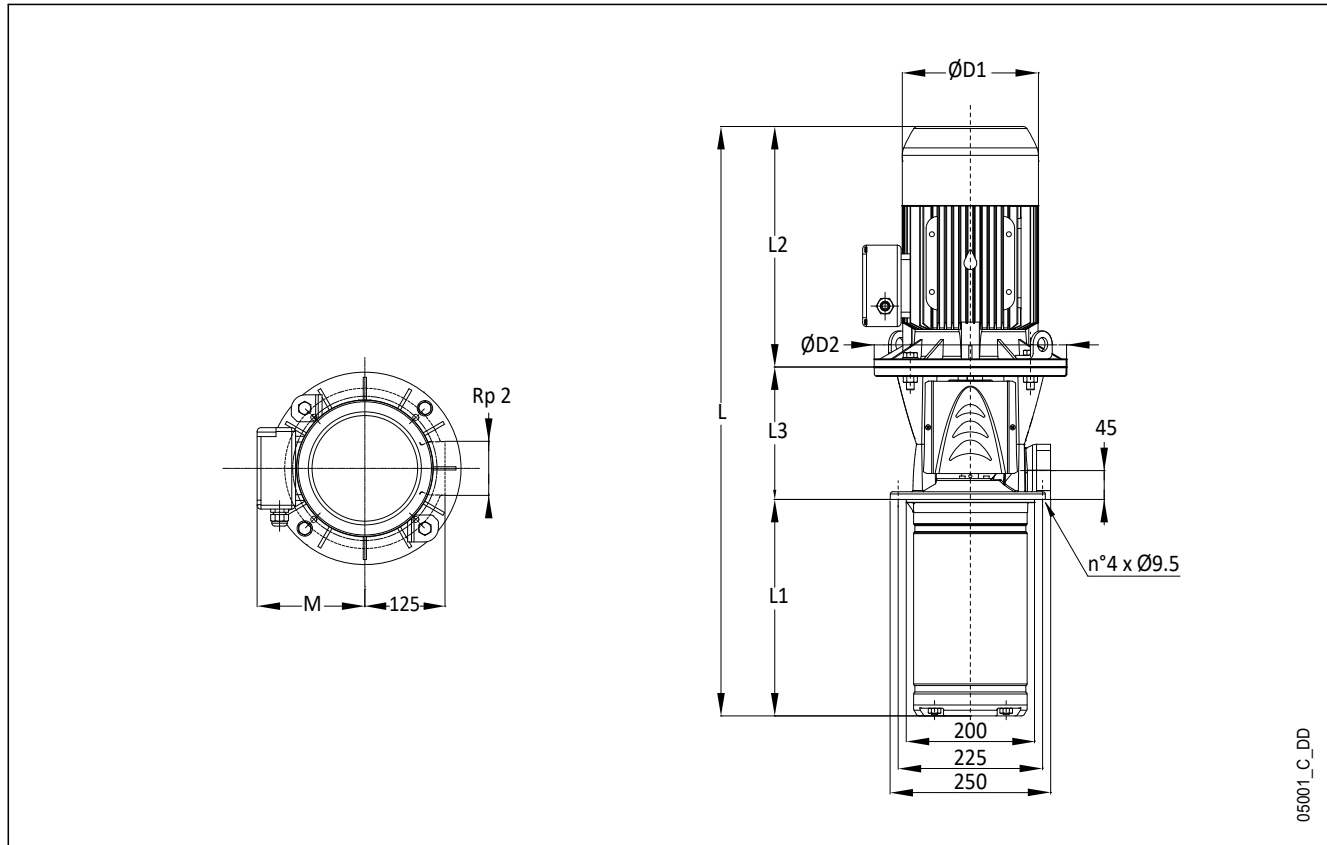
e.g. 5SVI33-33 has 33 stages with impeller and 1 inducer chamber.

5svi\_c-2p50-en\_a\_td

**5SVI..C - 5SVI..M SERIES**
**OPERATING CHARACTERISTICS AT 50 Hz, 2 POLES**


These performances are valid for liquids with density  $\rho = 1.0 \text{ Kg/dm}^3$  and kinematic viscosity  $\nu = 1 \text{ mm}^2/\text{sec}$ .

## 10SVI..C - 10SVI..M SERIES DIMENSIONS AND WEIGHTS AT 50 Hz, 2 POLES



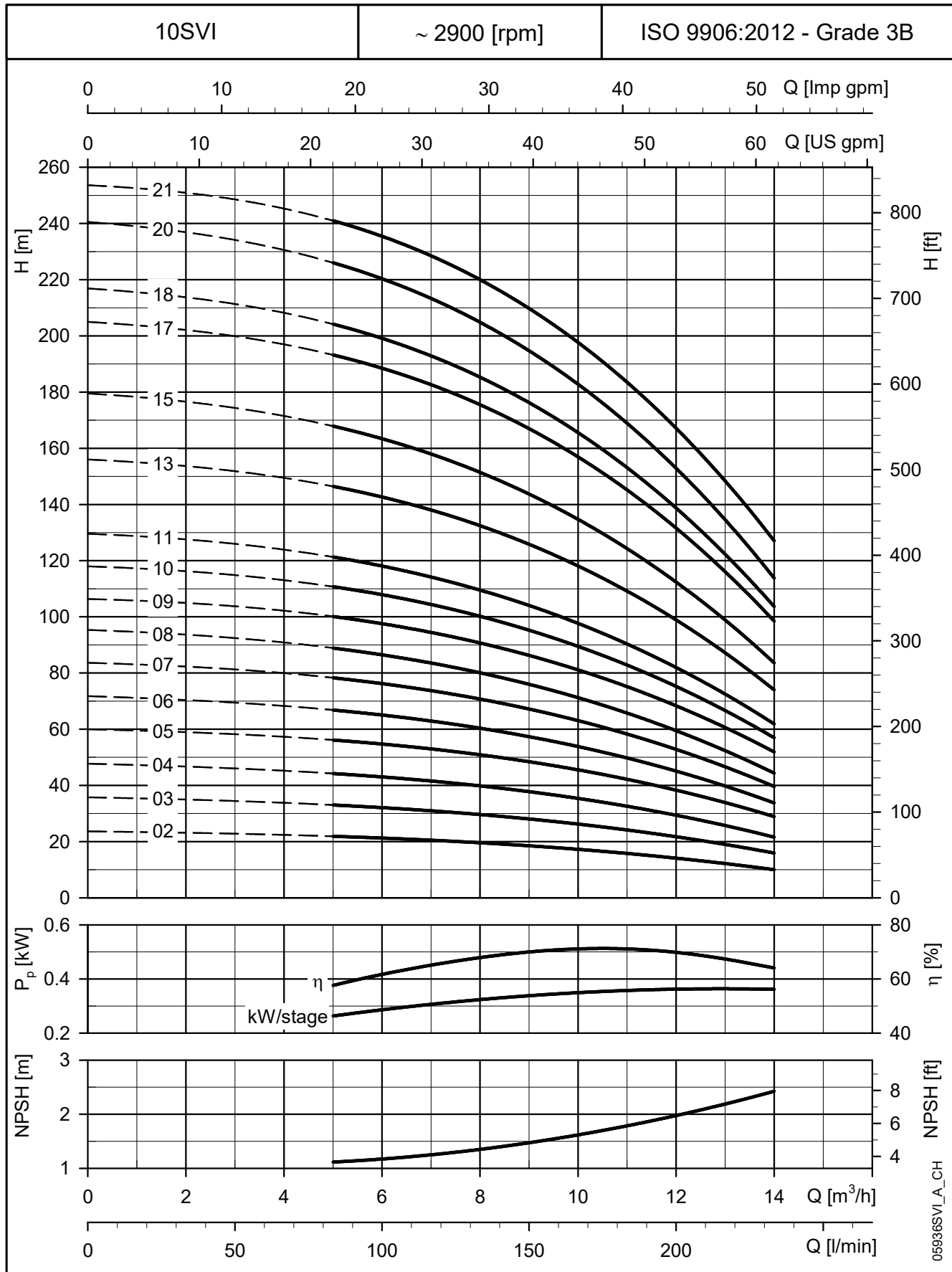
05001\_C\_DD

PUMP TYPE	MOTOR		DIMENSIONS (mm)										WEIGHT (kg)			
	kW	SIZE	L		L1	L2		L3	M		D1		D2	PUMP	ELECTRIC PUMP	
			1~	3~		1~	3~		1~	3~	1~	3~			1~	3~
10SVI02-02..007	0,75	80	525,5	562,5	177,5	226	263	122	121	140	140	155	120	13	23	23
10SVI03-03..011	1,1	80	594,5	594,5	209,5	263	263	122	137	140	155	155	120	14	24	24
10SVI04-04..015	1,5	90R	636,5	636,5	241,5	263	263	132	137	140	155	155	140	15	28	27
10SVI05-05..022	2,2	90	703,5	703,5	273,5	298	298	132	151	134	174	174	140	16	37	34
10SVI06-06..022	2,2	90	735,5	735,5	305,5	298	298	132	151	134	174	174	140	17	38	35
10SVI07-07..030	3	100R	-	777,5	337,5	-	298	142	-	134	-	174	160	19	-	40
10SVI08-08..030	3	100R	-	809,5	369,5	-	298	142	-	134	-	174	160	20	-	41
10SVI09-09..040	4	112R	-	862,5	401,5	-	319	142	-	154	-	197	160	21	-	47
10SVI10-10..040	4	112R	-	894,5	433,5	-	319	142	-	154	-	197	160	22	-	48
10SVI11-11..040	4	112R	-	926,5	465,5	-	319	142	-	154	-	197	160	23	-	49
10SVI13-13..055	5,5	132R	-	1111	529,5	-	375	206,5	-	168	-	214	300	30	-	68
10SVI15-15..055	5,5	132R	-	1175	593,5	-	375	206,5	-	168	-	214	300	32	-	70
10SVI17-17..075	7,5	132	-	1231	657,5	-	367	206,5	-	191	-	256	300	34	-	91
10SVI18-18..075	7,5	132	-	1263	689,5	-	367	206,5	-	191	-	256	300	35	-	92
10SVI20-20..075	7,5	132	-	1327	753,5	-	367	206,5	-	191	-	256	300	37	-	94
10SVI21-21..110	11	160R	-	1452	785,5	-	428	238,5	-	191	-	256	350	45	-	116

All listed dimensions are with inducer.

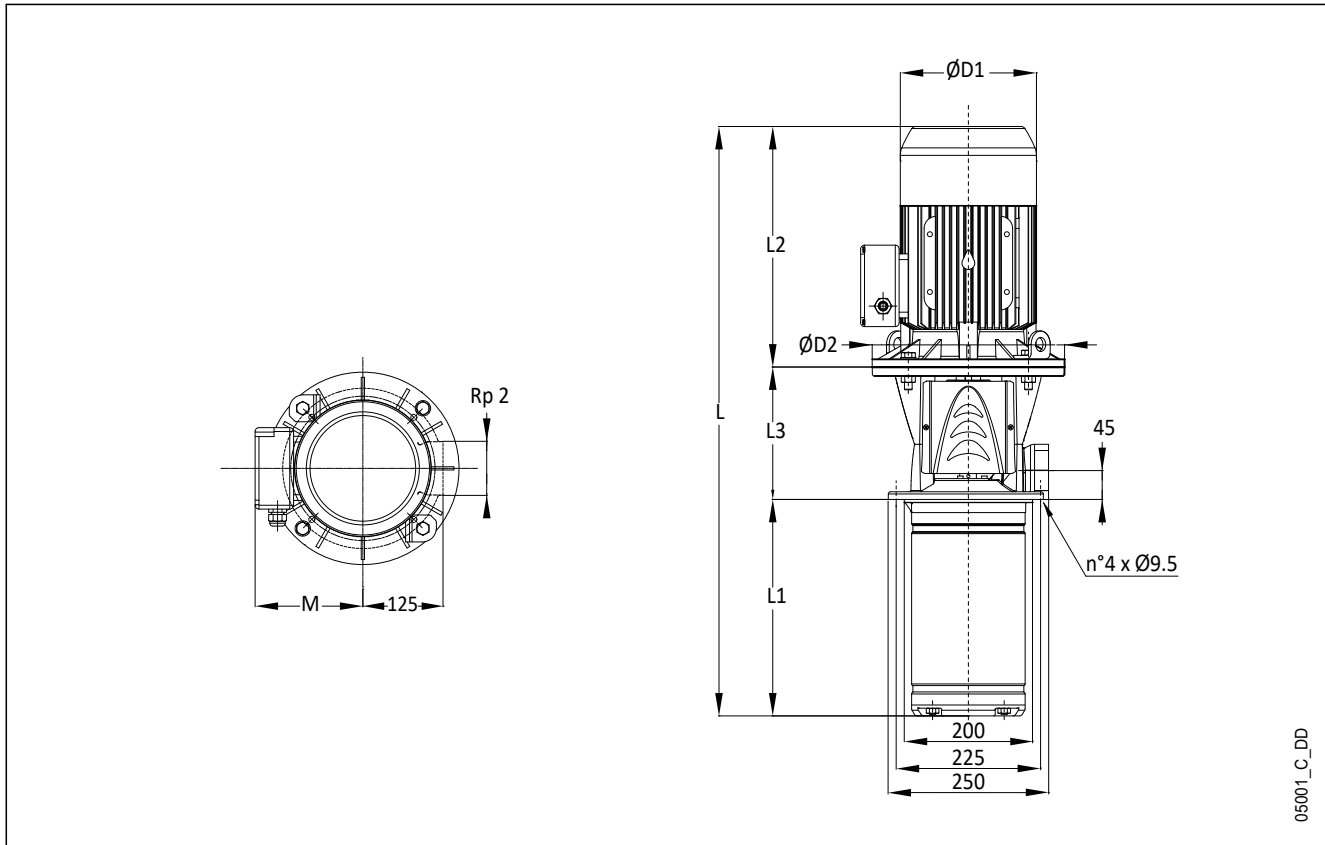
e.g. 10SVI21-21 has 21 stages with impeller and 1 inducer chamber.

10svi\_c-2p50-en\_a\_td

**10SVI..C - 10SVI..M SERIES  
OPERATING CHARACTERISTICS AT 50 Hz, 2 POLES**

 These performances are valid for liquids with density  $\rho = 1.0 \text{ Kg/dm}^3$  and kinematic viscosity  $\nu = 1 \text{ mm}^2/\text{sec}$ .

## 15SVI..C - 15SVI..M SERIES

### DIMENSIONS AND WEIGHTS AT 50 Hz, 2 POLES

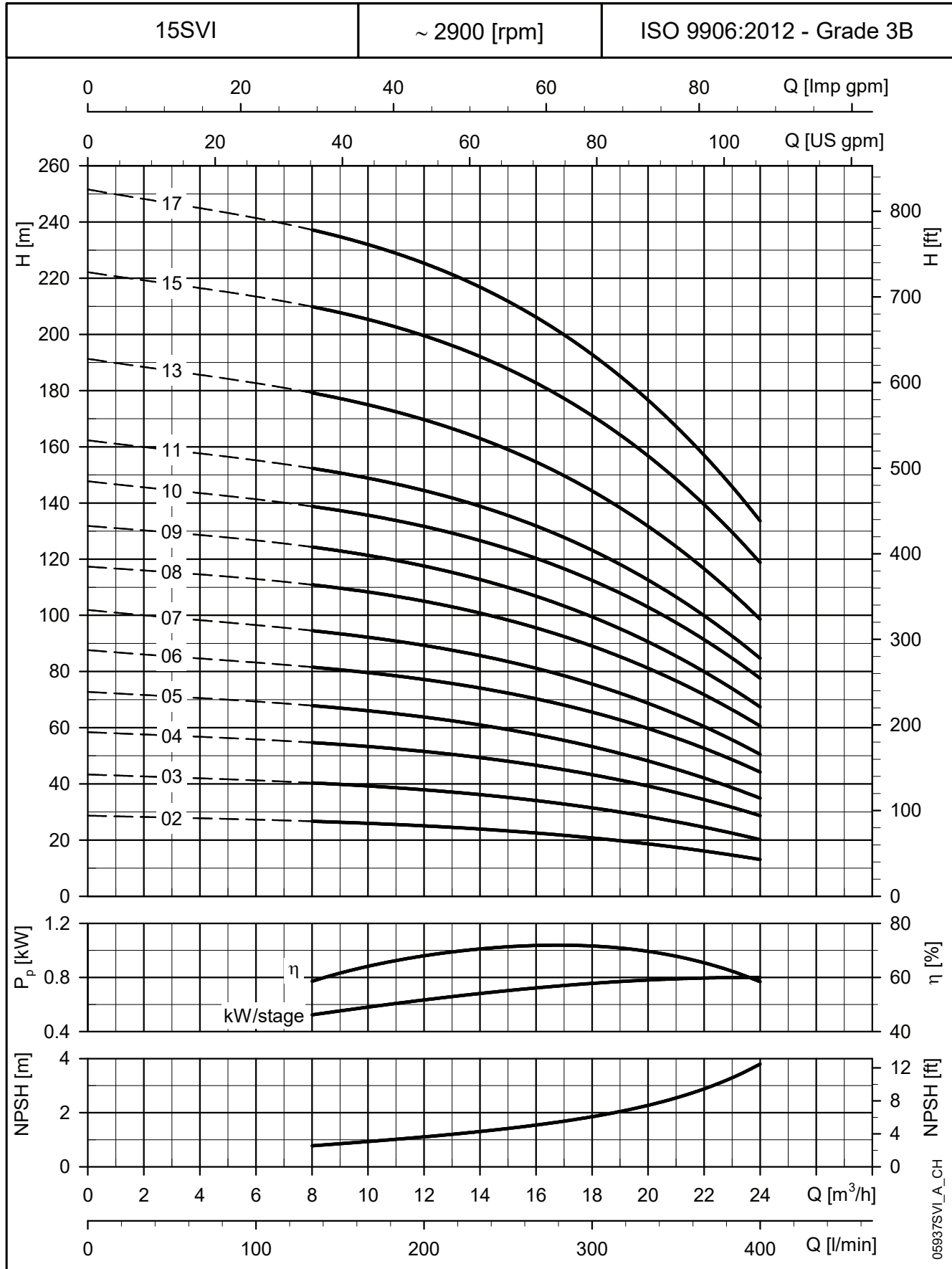


PUMP TYPE	MOTOR		DIMENSIONS (mm)											WEIGHT (kg)		
			L		L1	L2		L3	M		D1		D2	PUMP	ELECTRIC PUMP	
			1~	3~	1~	3~	1~	3~	1~	3~	1~	3~		1~	3~	
15SVI02-02..022	2,2	90	655,5	655,5	225,5	298	298	132	151	134	174	174	140	14	35	32
15SVI03-03..030	3	100R	-	713,5	273,5	-	298	142	-	134	-	174	160	17	-	38
15SVI04-04..040	4	112R	-	782,5	321,5	-	319	142	-	154	-	197	160	18	-	44
15SVI05-05..040	4	112R	-	830,5	369,5	-	319	142	-	154	-	197	160	19	-	45
15SVI06-06..055	5,5	132R	-	999	417,5	-	375	206,5	-	168	-	214	300	26	-	64
15SVI07-07..055	5,5	132R	-	1047	465,5	-	375	206,5	-	168	-	214	300	27	-	65
15SVI08-08..075	7,5	132	-	1087	513,5	-	367	206,5	-	191	-	256	300	29	-	86
15SVI09-09..075	7,5	132	-	1135	561,5	-	367	206,5	-	191	-	256	300	30	-	87
15SVI10-10..110	11	160R	-	1276	609,5	-	428	238,5	-	191	-	256	350	39	-	109
15SVI11-11..110	11	160R	-	1324	657,5	-	428	238,5	-	191	-	256	350	40	-	110
15SVI13-13..110	11	160R	-	1420	753,5	-	428	238,5	-	191	-	256	350	43	-	113
15SVI15-15..150	15	160	-	1582	849,5	-	494	238,5	-	240	-	313	350	45	-	147
15SVI17-17..150	15	160	-	1678	945,5	-	494	238,5	-	240	-	313	350	48	-	150

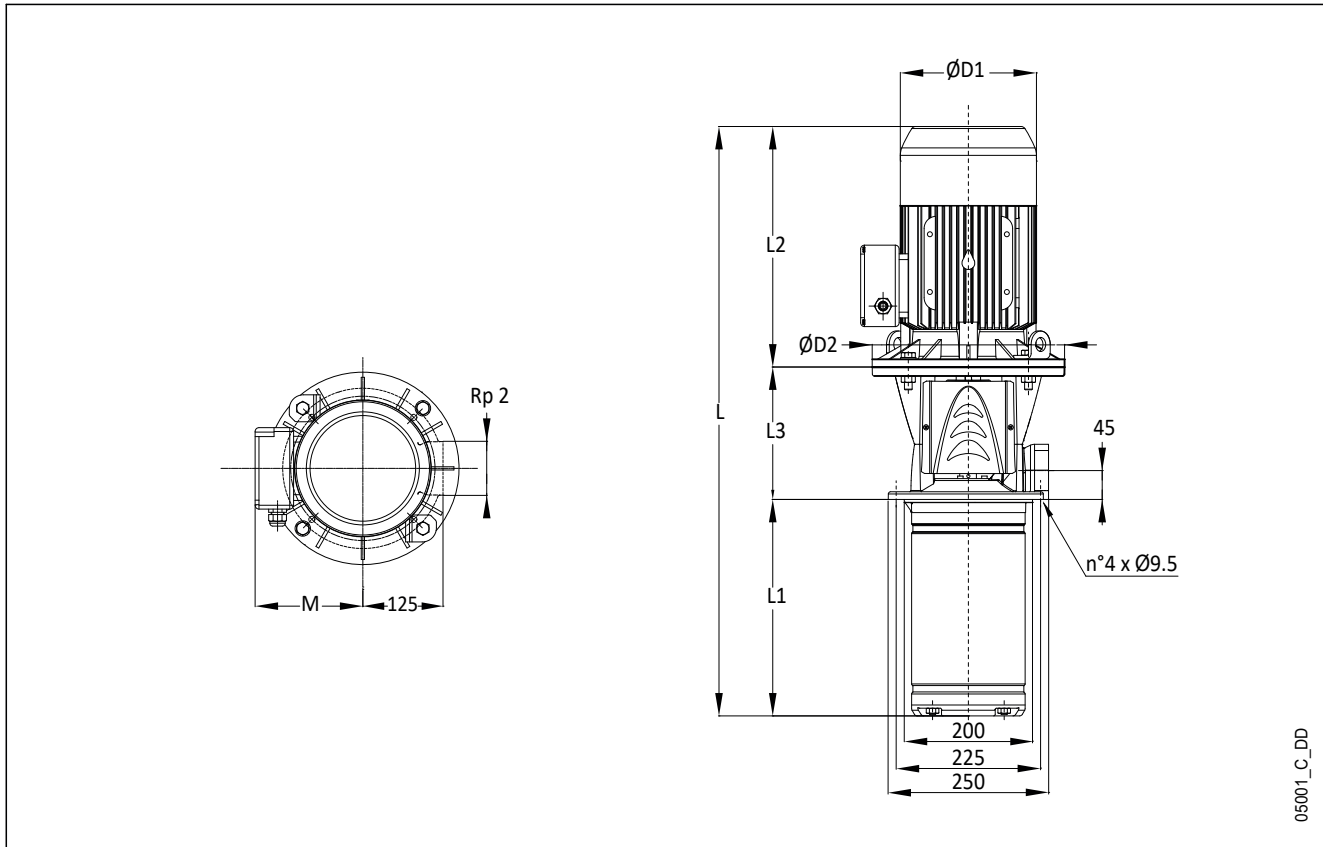
All listed dimensions are with inducer.

e.g. 15SVI17-17 has 17 stages with impeller and 1 inducer chamber.

15svi\_c-2p50-en\_a\_td

**15SVI..C - 15SVI..M SERIES**  
**OPERATING CHARACTERISTICS AT 50 Hz, 2 POLES**

 These performances are valid for liquids with density  $\rho = 1.0 \text{ Kg/dm}^3$  and kinematic viscosity  $\nu = 1 \text{ mm}^2/\text{sec}$ .

## 22SVI..C - 22SVI..M SERIES DIMENSIONS AND WEIGHTS AT 50 Hz, 2 POLES



PUMP TYPE	MOTOR		DIMENSIONS (mm)										WEIGHT (kg)			
	kW	SIZE	L		L1	L2		L3	M		D1		D2	PUMP	ELECTRIC PUMP	
			1~	3~		1~	3~		1~	3~	1~	3~			1~	3~
22SVI02-02..022	2,2	90	655,5	655,5	225,5	298	298	132	151	134	174	174	140	14	35	32
22SVI03-03..030	3	100R	-	713,5	273,5	-	298	142	-	134	-	174	160	17	-	38
22SVI04-04..040	4	112R	-	782,5	321,5	-	319	142	-	154	-	197	160	18	-	44
22SVI05-05..055	5,5	132R	-	951	369,5	-	375	206,5	-	168	-	214	300	25	-	62
22SVI06-06..075	7,5	132	-	991	417,5	-	367	206,5	-	191	-	256	300	26	-	83
22SVI07-07..075	7,5	132	-	1039	465,5	-	367	206,5	-	191	-	256	300	27	-	84
22SVI08-08..110	11	160R	-	1180	513,5	-	428	238,5	-	191	-	256	350	36	-	107
22SVI09-09..110	11	160R	-	1228	561,5	-	428	238,5	-	191	-	256	350	38	-	108
22SVI10-10..110	11	160R	-	1276	609,5	-	428	238,5	-	191	-	256	350	39	-	109
22SVI12-12..150	15	160	-	1438	705,5	-	494	238,5	-	240	-	313	350	41	-	143
22SVI14-14..150	15	160	-	1534	801,5	-	494	238,5	-	240	-	313	350	44	-	146
22SVI17-17..185	18,5	160	-	1678	945,5	-	494	238,5	-	240	-	313	350	48	-	150

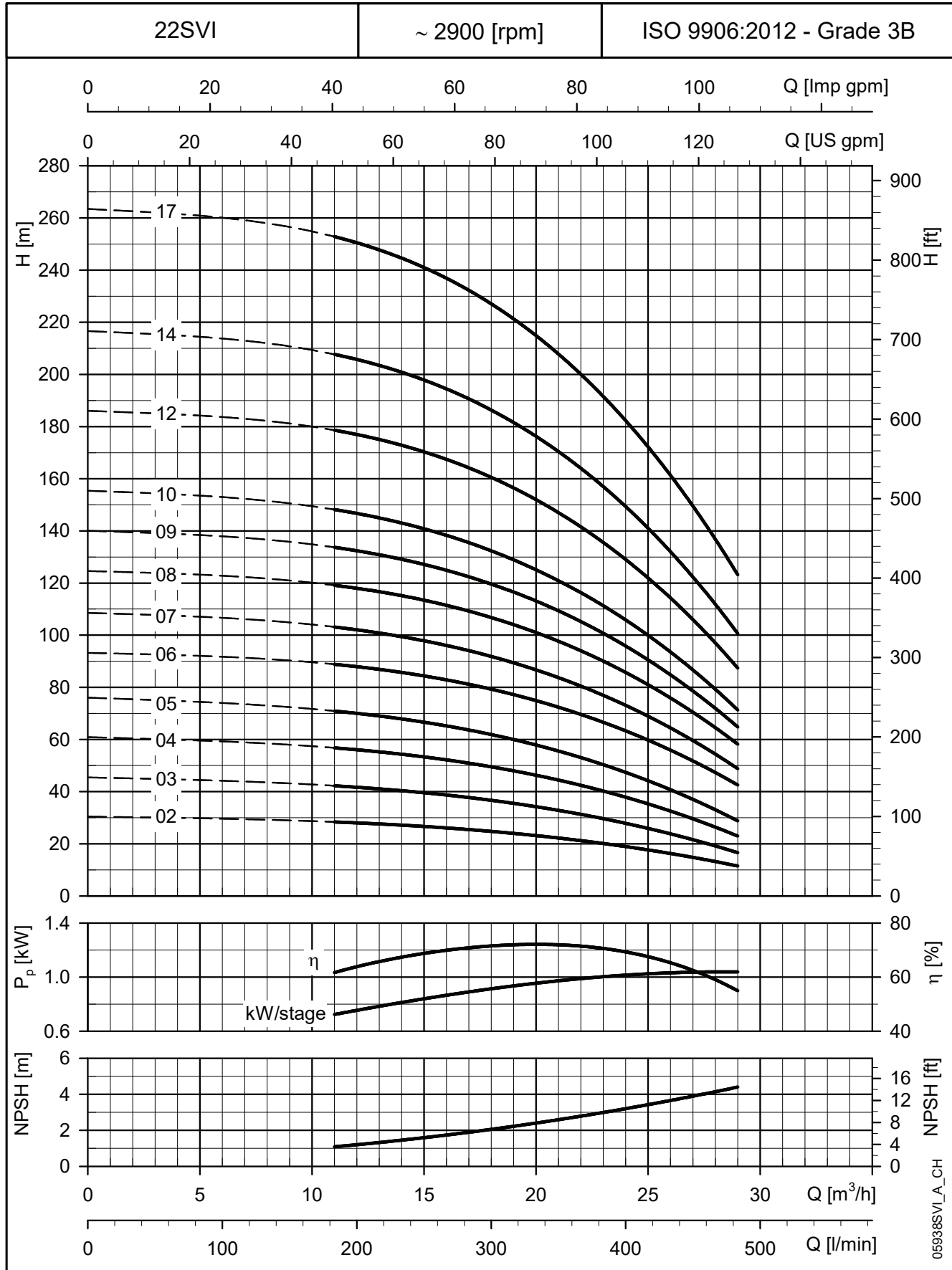
All listed dimensions are with inducer.

e.g. 22SVI17-17 has 17 stages with impeller and 1 inducer chamber.

22svi\_c-2p50-en\_a\_td

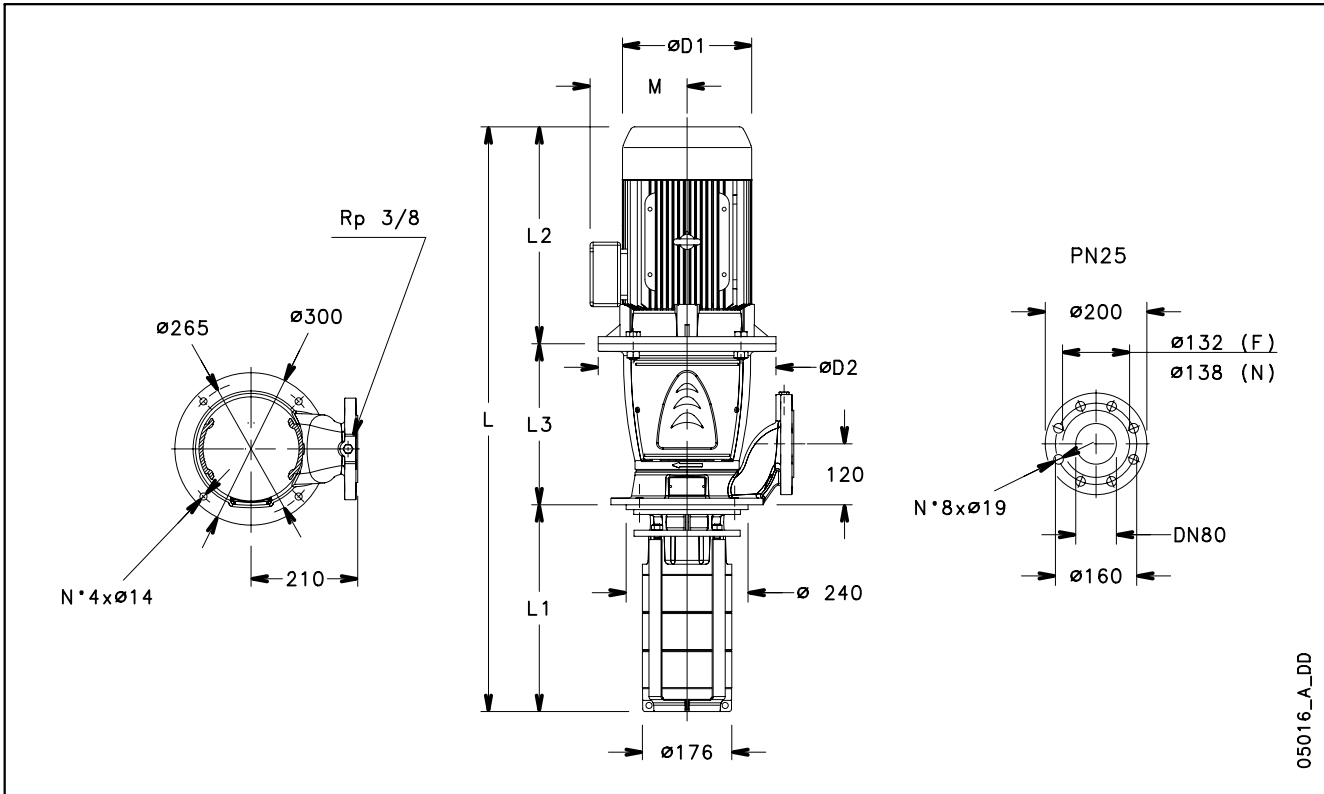


**22SVI..C - 22SVI..M SERIES**  
**OPERATING CHARACTERISTICS AT 50 Hz, 2 POLES**



These performances are valid for liquids with density  $\rho = 1.0 \text{ Kg/dm}^3$  and kinematic viscosity  $\nu = 1 \text{ mm}^2/\text{sec}$ .

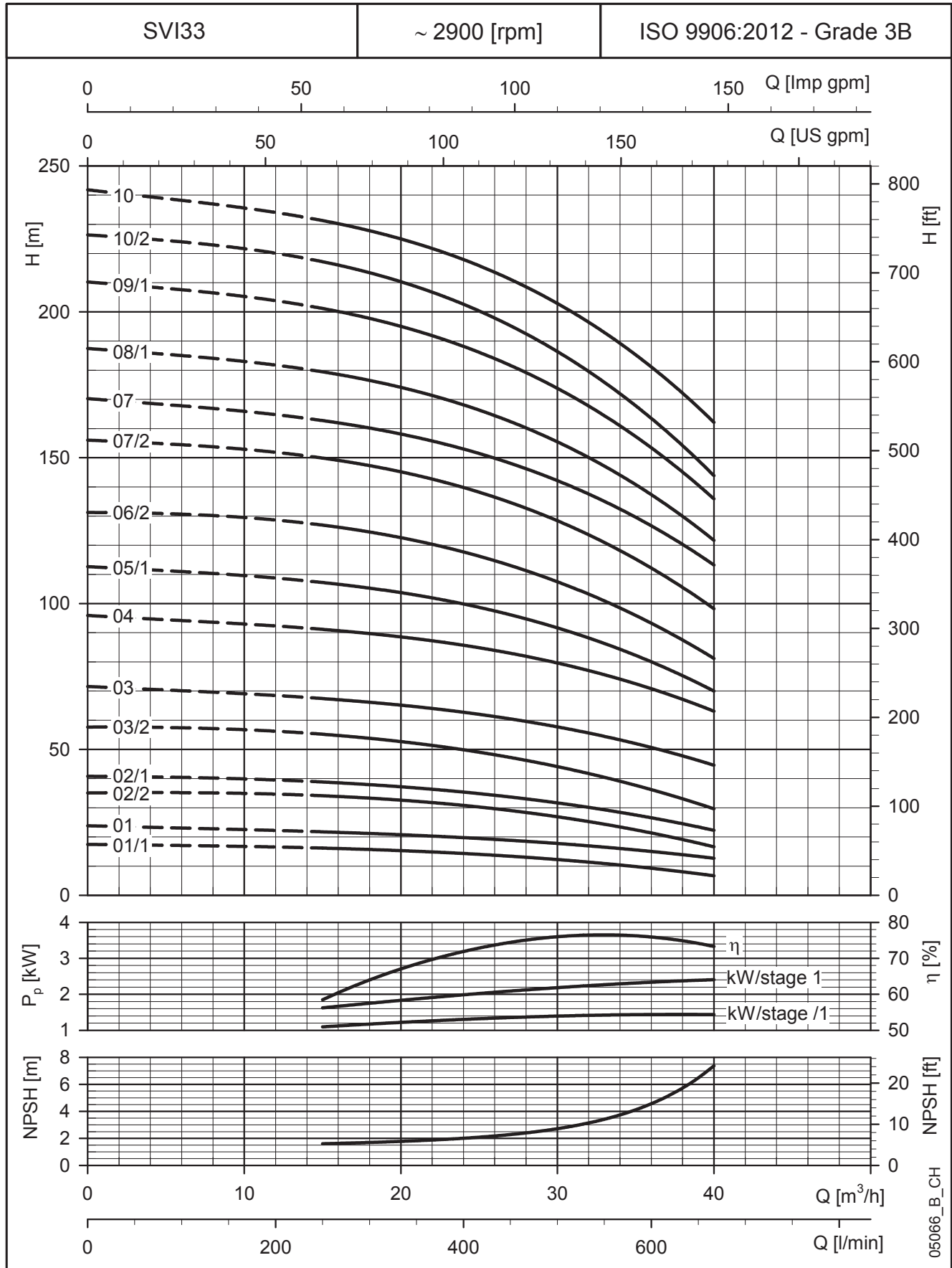
**SVI33..S - SVI33..N SERIES**  
**DIMENSIONS AND WEIGHTS AT 50 Hz, 2 POLES**



05016\_A\_DD

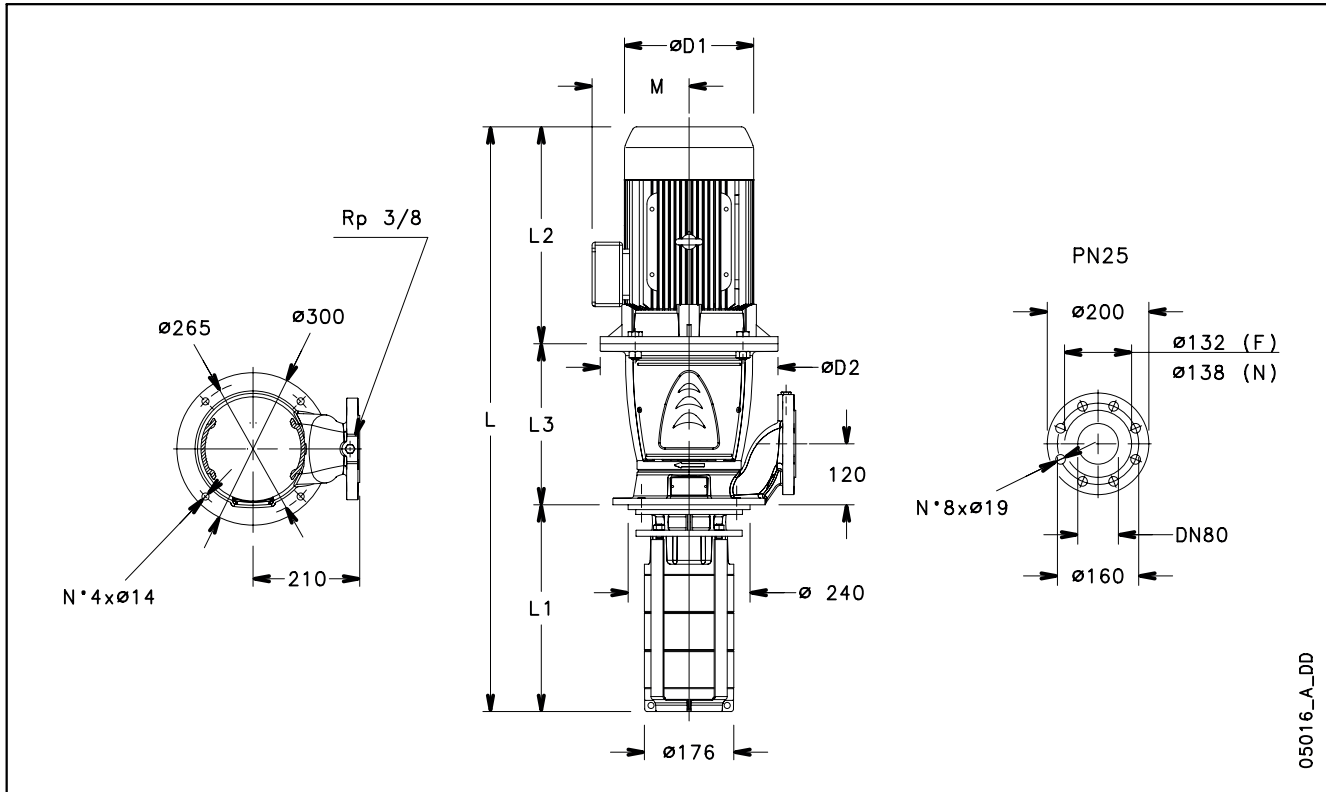
PUMP TYPE	MOTOR		DIMENSIONS (mm)							WEIGHT (kg)	
	kW	SIZE	L	L1	L2	L3	M	D1	D2	PUMP	ELECTRIC PUMP
SVI3301/1-01..22T/D	2,2	90	817	257	298	262	134	174	140	38	56
SVI3301-01..30T/D	3	100	817	257	298	262	134	174	160	43	64
SVI3302/2-02..40T/D	4	112	913	332	319	262	154	197	160	44	70
SVI3302/1-02..40T/D	4	112	913	332	319	262	154	197	160	44	70
SVI3303/2-03..55T/D	5,5	132	1064	407	375	282	168	214	300	50	88
SVI3303-03..75T/D	7,5	132	1056	407	367	282	191	256	300	50	107
SVI3304-04..110T/D	11	160	1227	482	428	317	191	256	350	58	128
SVI3305/1-05..110T/D	11	160	1302	557	428	317	191	256	350	60	130
SVI3306/2-06..150T/D	15	160	1443	632	494	317	240	313	350	63	165
SVI3307/2-07..150T/D	15	160	1518	707	494	317	240	313	350	66	168
SVI3307-07..185T/D	18,5	160	1518	707	494	317	240	313	350	74	176
SVI3308/1-08..185T/D	18,5	160	1593	782	494	317	240	313	350	77	179
SVI3309/1-09..220T/D	22	180	1668	857	494	317	240	313	350	72	193
SVI3310/2-10..220T/D	22	180	1743	932	494	317	240	313	350	75	196
SVI3310-10..300T/D	30	200	1920	932	671	317	285	408	400	88	296

svi33s-2p50-en\_e\_td

**SVI33..S - SVI33..N SERIES**
**OPERATING CHARACTERISTICS AT 50 Hz, 2 POLES**


These performances are valid for liquids with density  $\rho = 1.0 \text{ Kg/dm}^3$  and kinematic viscosity  $\nu = 1 \text{ mm}^2/\text{sec}$ .

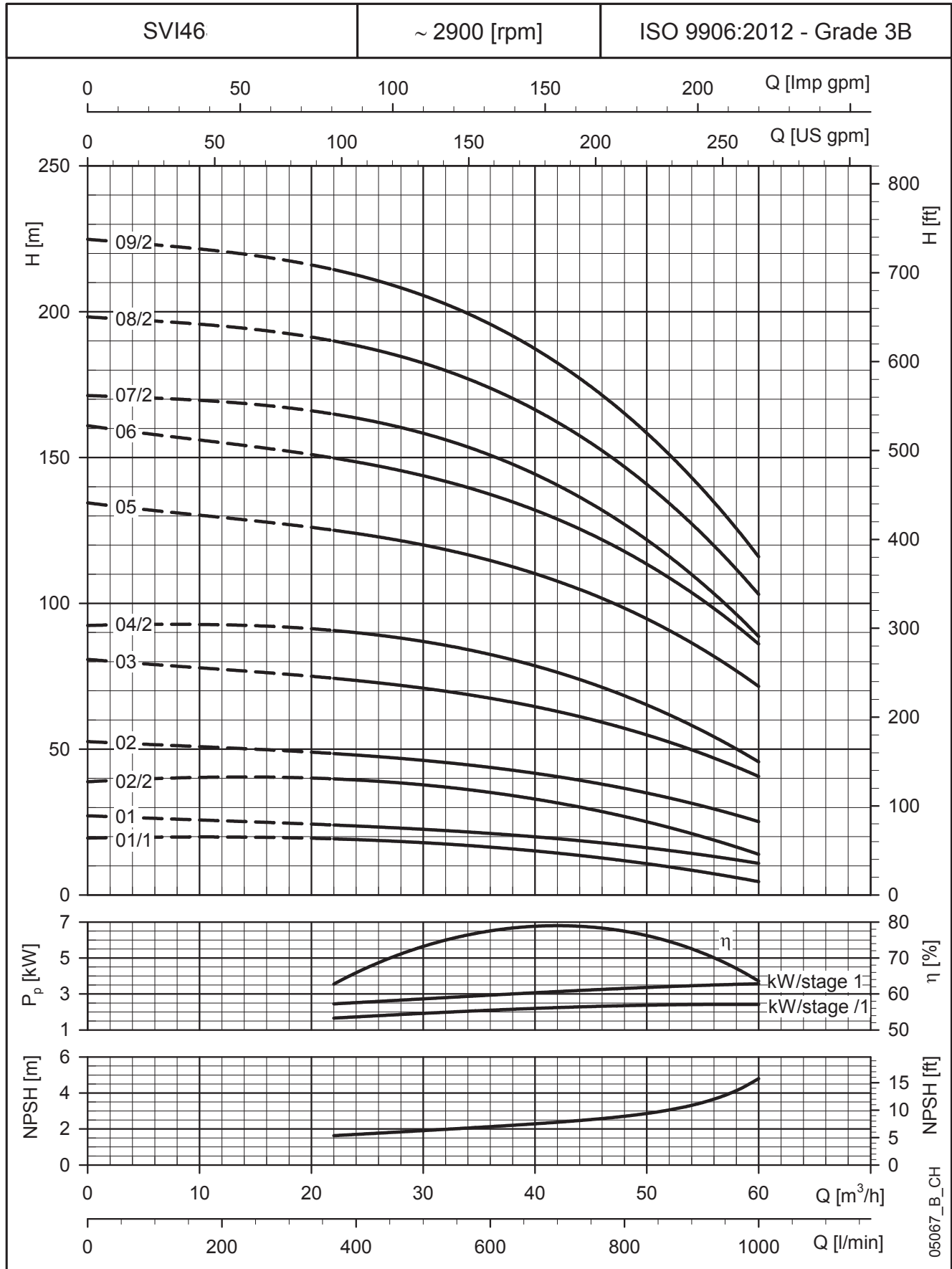
### SVI46..S - SVI46..N SERIES DIMENSIONS AND WEIGHTS AT 50 Hz, 2 POLES



PUMP TYPE	MOTOR		DIMENSIONS (mm)							WEIGHT (kg)	
	kW	SIZE	L	L1	L2	L3	M	D1	D2	PUMP	ELECTRIC PUMP
SVI4601/1-01..30T/D	3	100	817	257	298	262	134	174	160	43	64
SVI4601-01..40T/D	4	112	838	257	319	262	154	197	160	41	67
SVI4602/2-02..55T/D	5,5	132	989	332	375	282	168	214	300	47	85
SVI4602-02..75T/D	7,5	132	981	332	367	282	191	256	300	47	104
SVI4603-03..110T/D	11	160	1152	407	428	317	191	256	350	55	125
SVI4604/2-04..150T/D	15	160	1293	482	494	317	240	313	350	57	159
SVI4605-05..185T/D	18,5	160	1368	557	494	317	240	313	350	69	171
SVI4606-06..220T/D	22	180	1443	632	494	317	240	313	350	64	185
SVI4607/2-07..300T/D	30	200	1695	707	671	317	285	408	400	86	294
SVI4608/2-08..300T/D	30	200	1770	782	671	317	285	408	400	89	297
SVI4609/2-09..300T/D	30	200	1845	857	671	317	285	408	400	91	299

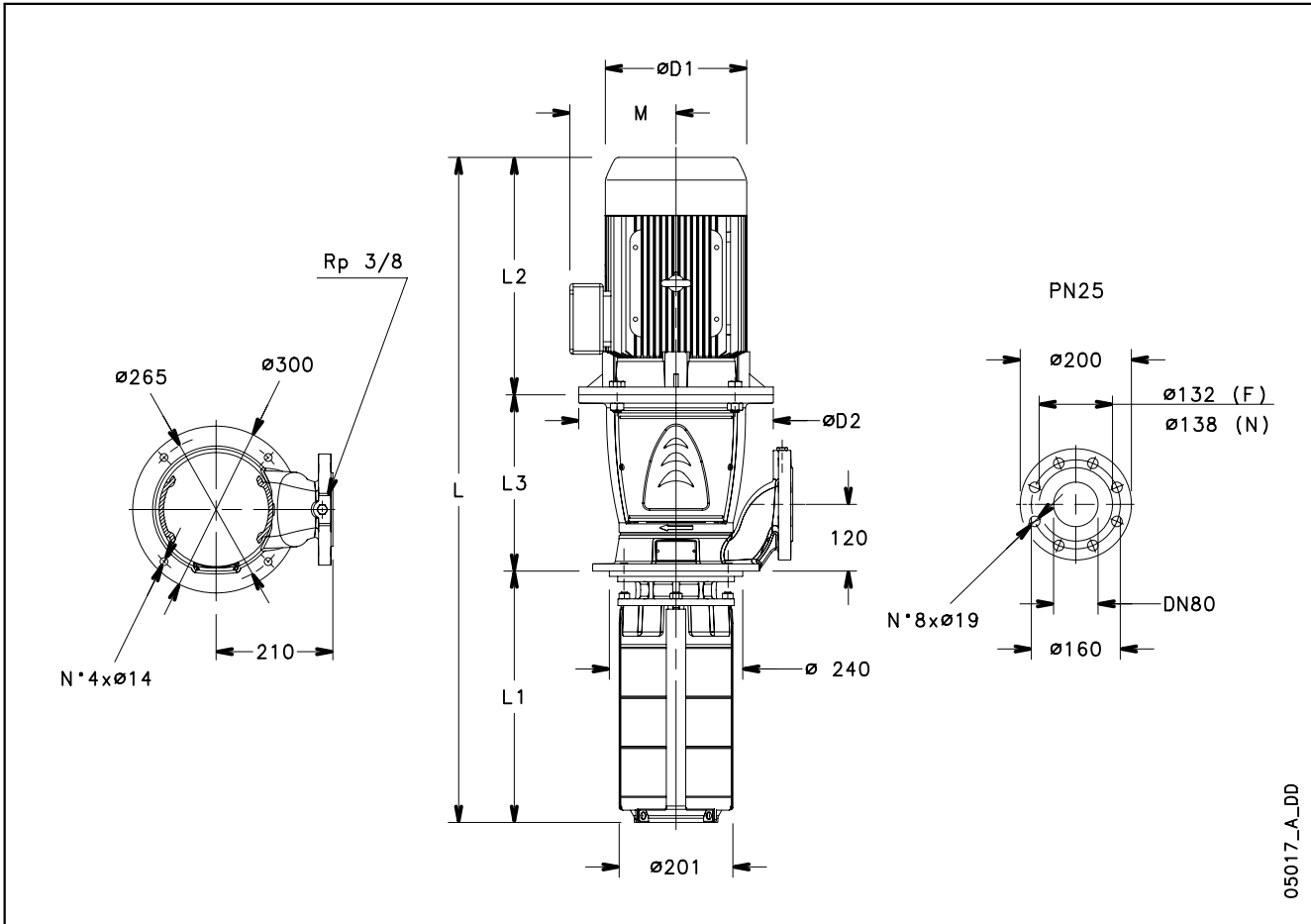
svi46s-2p50-en\_e\_td

**SVI46..S - SVI46..N SERIES**  
**OPERATING CHARACTERISTICS AT 50 Hz, 2 POLES**



These performances are valid for liquids with density  $\rho = 1.0 \text{ Kg/dm}^3$  and kinematic viscosity  $\nu = 1 \text{ mm}^2/\text{sec}$ .

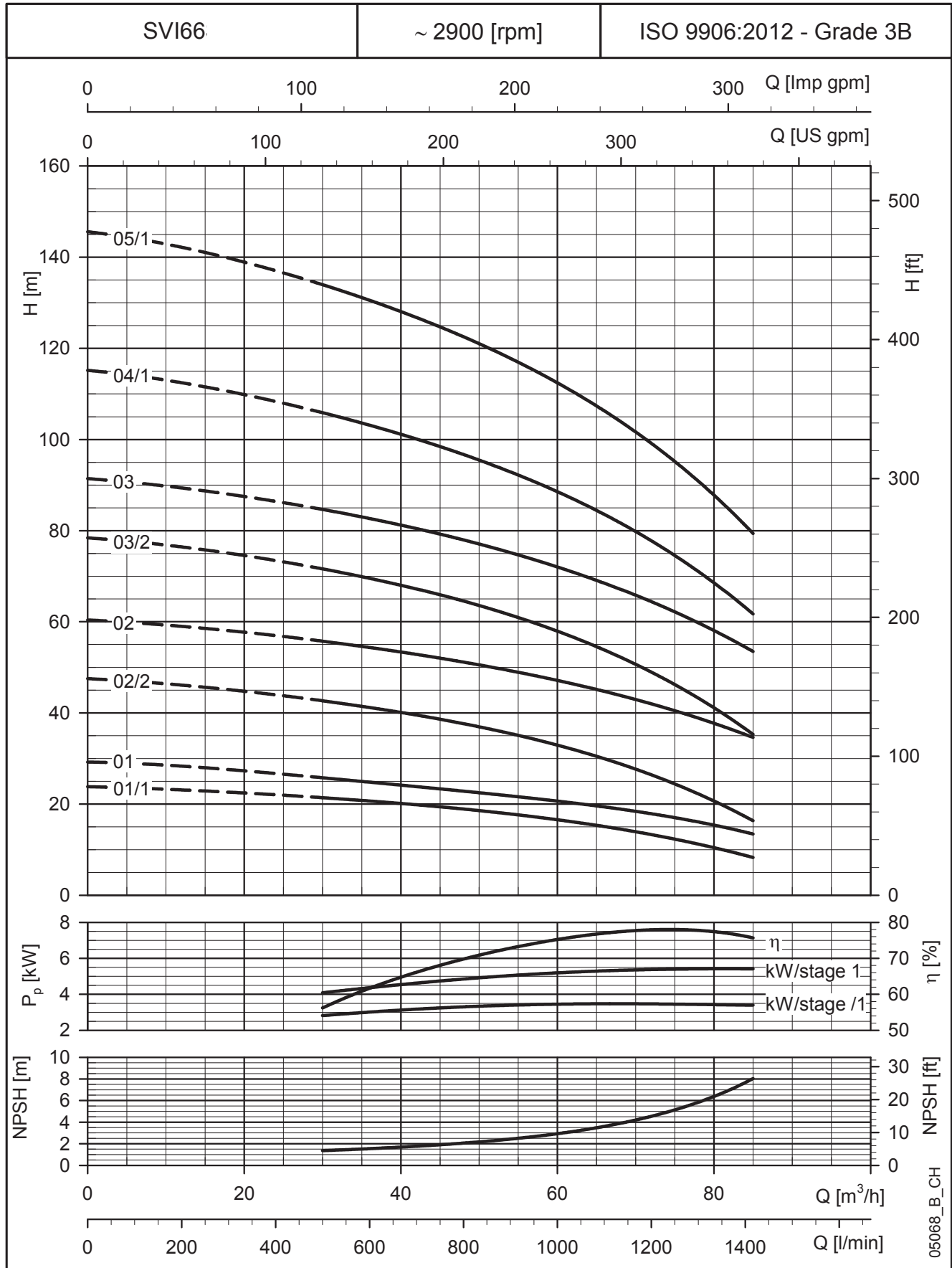
**SVI66..S - SVI66..N SERIES**  
**DIMENSIONS AND WEIGHTS AT 50 Hz, 2 POLES**



PUMP TYPE	MOTOR		DIMENSIONS (mm)							WEIGHT (kg)	
	kW	SIZE	L	L1	L2	L3	M	D1	D2	PUMP	ELECTRIC PUMP
SVI6601/1-01..40T/D	4	112	853	272	319	262	154	197	160	47	73
SVI6601-01..55T/D	5,5	132	929	272	375	282	168	214	300	45	83
SVI6602/2-02..75T/D	7,5	132	1011	362	367	282	191	256	300	52	109
SVI6602-02..110T/D	11	160	1107	362	428	317	191	256	350	54	124
SVI6603/2-03..150T/D	15	160	1263	452	494	317	240	313	350	57	159
SVI6603-03..185T/D	18,5	160	1263	452	494	317	240	313	350	58	160
SVI6604/1-04..220T/D	22	180	1353	542	494	317	240	313	350	69	190
SVI6605/1-05..300T/D	30	200	1620	632	671	317	285	408	400	84	292

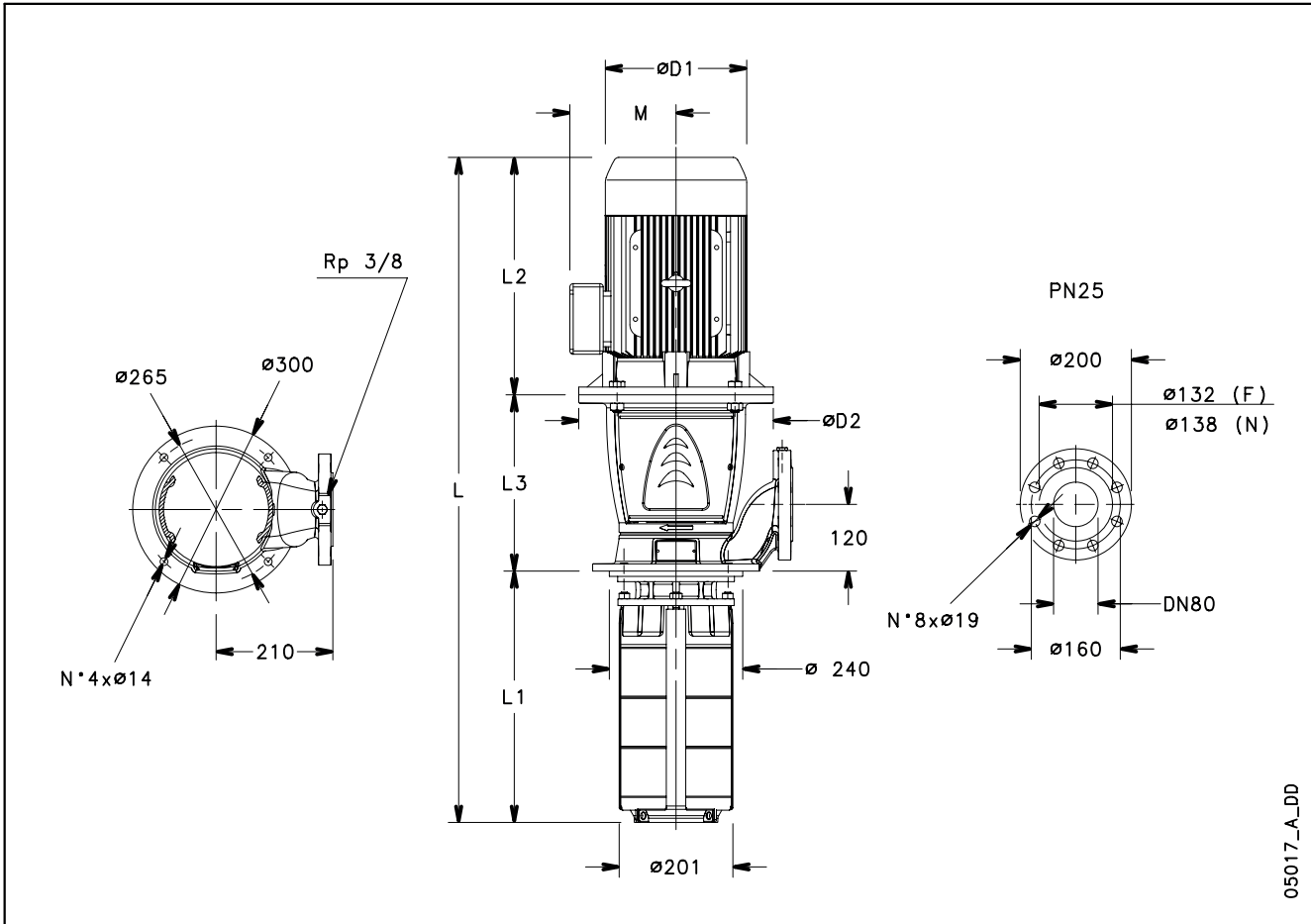
svi66s-2p50-en\_e\_td

**SVI66..S - SVI66..N SERIES**  
**OPERATING CHARACTERISTICS AT 50 Hz, 2 POLES**



These performances are valid for liquids with density  $\rho = 1.0 \text{ Kg/dm}^3$  and kinematic viscosity  $\nu = 1 \text{ mm}^2/\text{sec}$ .

**SVI92..S - SVI92..N SERIES**  
**DIMENSIONS AND WEIGHTS AT 50 Hz, 2 POLES**



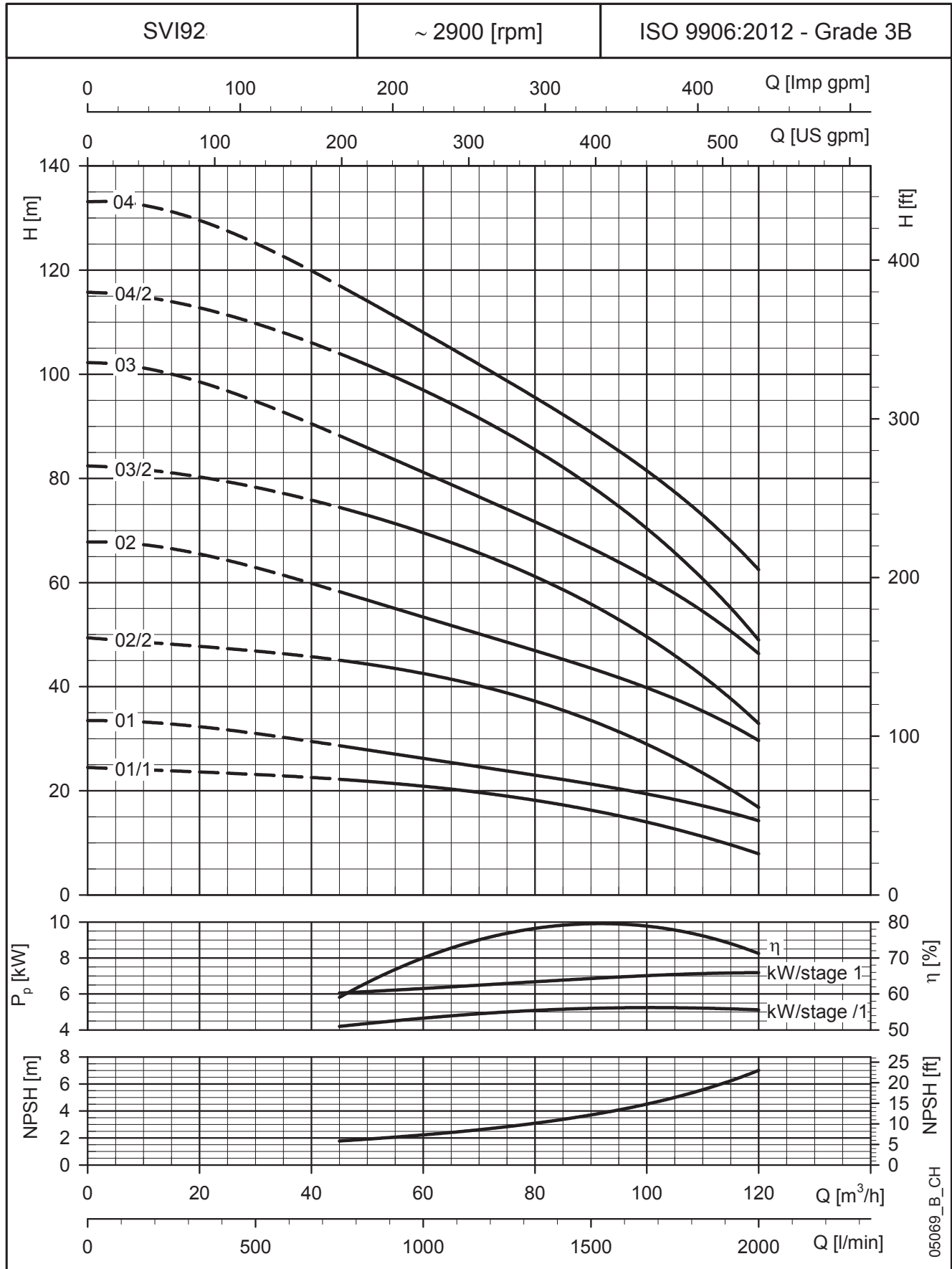
05017\_A\_DD

PUMP TYPE	MOTOR		DIMENSIONS (mm)							WEIGHT (kg)	
	kW	SIZE	L	L1	L2	L3	M	D1	D2	PUMP	ELECTRIC PUMP
SVI9201/1-01..55T/D	5,5	132	929	272	375	282	168	214	300	45	83
SVI9201-01..75T/D	7,5	132	921	272	367	282	191	256	300	44	101
SVI9202/2-02..110T/D	11	160	1107	362	428	317	191	256	350	53	123
SVI9202-02..150T/D	15	160	1173	362	494	317	240	313	350	53	155
SVI9203/2-03..185T/D	18,5	160	1263	452	494	317	240	313	350	65	167
SVI9203-03..220T/D	22	180	1263	452	494	317	240	313	350	58	179
SVI9204/2-04..300T/D	30	200	1530	542	671	317	285	408	400	81	289
SVI9204-04..300T/D	30	200	1530	542	671	317	285	408	400	81	289

svi92s-2p50-en\_e\_td

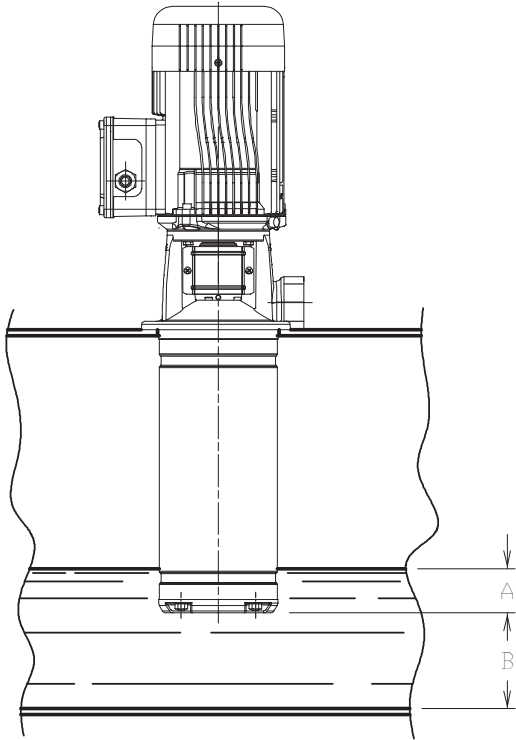


**SVI92..S - SVI92..N SERIES**  
**OPERATING CHARACTERISTICS AT 50 Hz, 2 POLES**



These performances are valid for liquids with density  $\rho = 1.0 \text{ Kg/dm}^3$  and kinematic viscosity  $\nu = 1 \text{ mm}^2/\text{sec}$ .

**INSTALLATION**



PUMP TYPE	MINIMUM IMMERSION LEVEL A [mm]		DISTANCE FROM THE BOTTOM B [mm]		
	WITH INDUCER	WITHOUT INDUCER			
1SVI 3SVI 5SVI	20	30	20		
10SVI 15SVI 22SVI			20	30	25
SVI33-46 SVI66-92			-	60	25

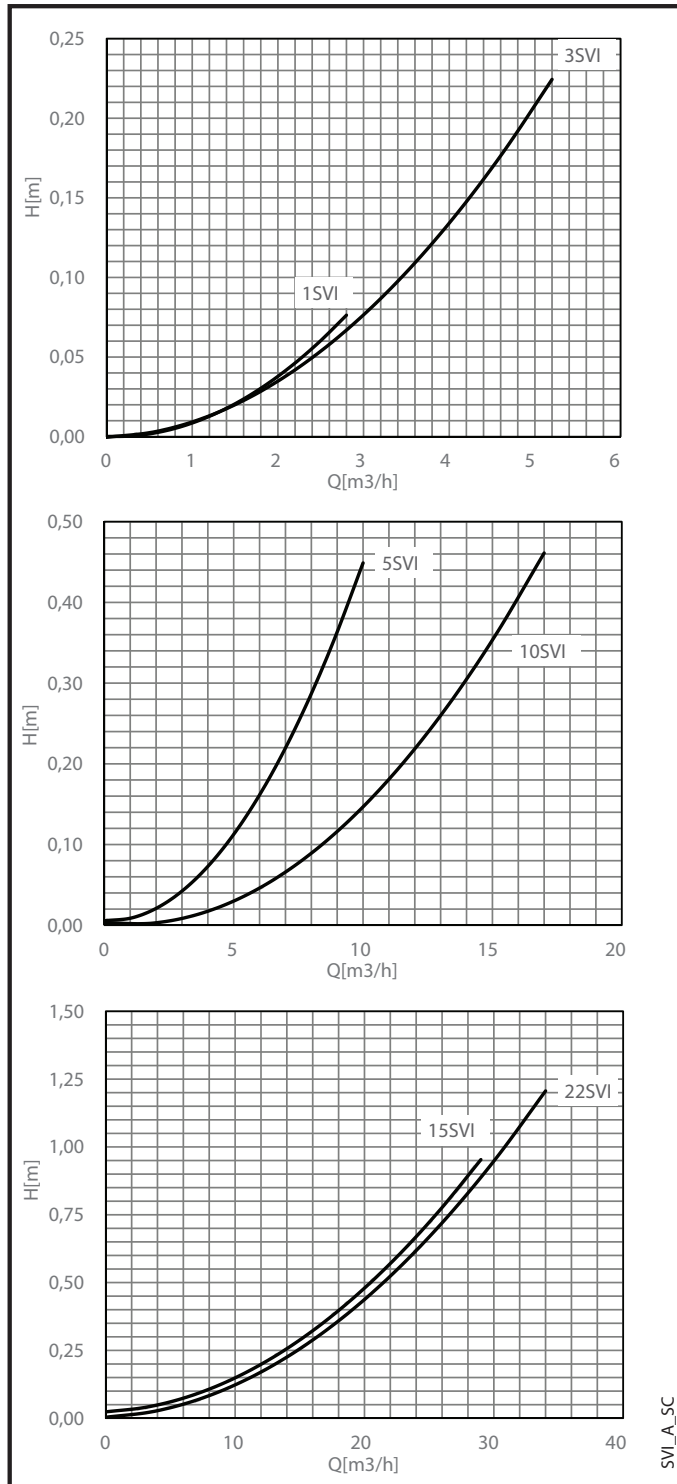
svi-liv-liq\_b\_td

05005\_B\_SC

These performances are valid for liquids with density  $\rho = 1.0 \text{ Kg/dm}^3$  and kinematic viscosity  $\nu = 1 \text{ mm}^2/\text{sec}$ .

## EMPTY STAGES OPERATING CHARACTERISTICS AND DIMENSIONAL DATA

The charts below illustrate the pressure losses to be considered per empty stage when empty stages are used to extend the pump depth.



To calculate the head of a pump with empty stages you can do the calculation as shown below:

### Example:

Pump type: 5SVI06-13; 6 impellers, 13 total stages as per nomenclature at page 9

Flow: 6 m³/h

Head: 33,9 m

The head 33,9 m is read from the performance curve for an 5SVI06-06 pump, see page 43.

The number of empty stages is:

13 total stages - 6 impellers = 7 empty stages

From the pressure loss curve of 5SVI, it appears that the pressure loss of each empty chamber at 6 m³/h is 0,16 m. This result in a total pressure loss of:

Total pressure loss = 0,16 x 7 = 1,12 m

The reduced head of the 5SVI06-13 pump including pressure losses caused by empty stages is:

Head = 33,9 - 1,12 = 32,78 m

In the SVI33,46,66 and 92 electric pumps, empty stages allow the passage of the liquid through a wide opening, eliminating pressure loss in the pump.

## EMPTY STAGES - VERSION WITH COUPLING OPERATING CHARACTERISTICS AND DIMENSIONAL DATA

The immersion depth of e-SVI pump can be varied to meet the required depths of different tanks. The table below illustrates the number of total stages to be used to achieve the required depth. The pump head depends on the number of the impeller used (see head curves on the previous pages of this catalogue)

NUMBER OF STAGE	IMMERSION DEPTH (mm)									
	PUMP TYPE									
	1SVI	3SVI	5SVI	10SVI	15SVI	22SVI	SVI 33	SVI 46	SVI 66	SVI 92
1	-	-	-	-	-	-	257	257	272	272
2	119	119	134	177,5	225,5	225,5	332	332	362	362
3	139	139	159	209,5	273,5	273,5	407	407	452	452
4	159	159	184	241,5	321,5	321,5	482	482	542	542
5	179	179	209	273,5	369,5	369,5	557	557	632	632
6	199	199	234	305,5	417,5	417,5	632	632	722	722
7	219	219	259	337,5	465,5	465,5	707	707	812	812
8	239	239	284	369,5	513,5	513,5	782	782	902	902
9	259	259	309	401,5	561,5	561,5	857	857	992	992
10	279	279	334	433,5	609,5	609,5	932	932	1082	1082
11	299	299	359	465,5	657,5	657,5	1007	1007		
12	319	319	384	497,5	705,5	705,5	1082	1082		
13	339	339	409	529,5	753,5	753,5				
14	359	359	434	561,5	801,5	801,5				
15	379	379	459	593,5	849,5	849,5				
16	399	399	484	625,5	897,5	897,5				
17	419	419	509	657,5	945,5	945,5				
18	439	439	534	689,5	993,5	993,5				
19	459	459	559	721,5	1041,5	1041,5				
20	479	479	584	753,5						
21	499	499	609	785,5						
22	519	519	634	817,5						
23	539	539	659	849,5						
24	559	559	684	881,5						
25	579	579	709	913,5						
26	599	599	734	945,5						
27	619	619	759	977,5						
28	639	639	784	1009,5						
29	659	659	809	1041,5						
30	679	679	834							
31	699	699	859							
32	719	719	884							
33	739	739	909							
34	759	759	934							
35	779	779	959							
36	799	799	984							
37	819	819	1009							
38	839	839								
39	859	859								
40	879	879								
41	899	899								
42	919	919								
43	939	939								
44	959	959								
45	979	979								
46	999	999								
47	1019	1019								

svi-en\_a\_tcm

## EMPTY STAGES - COMPACT VERSION OPERATING CHARACTERISTICS AND DIMENSIONAL DATA

NUMBER OF STAGE	IMMERSION DEPTH (mm)		
	PUMP TYPE		
	1SVI	3SVI	5SVI
1	-	-	-
2	126	126	141
3	146	146	166
4	166	166	191
5	186	186	216
6	206	206	241
7	226	226	266
8	246	246	291
9	266	266	316
10	286	286	341
11	306	306	366
12	326	326	391
13	346	346	416
14	366	366	
15	386	386	
16	406	406	
17	426	426	

svie\_a\_tcm

## EMPTY STAGES - TOTAL WEIGHT CALCULATION

It is possible to calculate the total weight of the pump with empty stages from the weight of the pump with full stages shown in the dimensional tables in this catalog. The table below illustrates for each size the constant weight factor of an empty stage.

PUMP TYPE	WEIGHT (kg)
1-3SVI	0,20
5SVI	0,24
10SVI	0,57
15-22SVI	0,79
SVI33-46	1,35
SVI66-92	1,72

To calculate the real weight you can perform the calculation as shown below:

Example:

Pump type: 5SVI06-13; 6 impellers, 13 total stages as per nomenclature at page 9

Pump weight: 9 kg

The number of empty stages is:

13 total stages - 6 impellers = 7 empty stages

From the above table for size 5SVI the weight of each empty stage is 0,24 kg.

This results in a total weight due to the empty stages of:

Total weight of empty stages =  $0.24 \times 7 = 1.68$  kg

The total weight of the 5SVI06-13 pump is:

Total weight =  $9 + 1,68 = 10,68$  kg



# **e-SVI WITH VARIABLE FREQUENCY DRIVE**

## **e-SVIH SERIES**

### **e-SVI WITH HYDROVAR**

#### **Background and context**

For all pumping needs in commercial or residential building and in industry applications, the demand for intelligent pumping systems is constantly growing. Controlled systems offer many advantages: reduced operating costs for the lifetime of the pump, lower environmental impact, longer lifetime of piping systems and networks.

For this reason, Lowara has developed the e-SVIH: an intelligent pumping system which assures high level performance with energy consumption tailored to the system's demand.

#### **Benefits of e-SVIH with HYDROVAR**

**Saving:** e-SVIH transforms the e-SVI pumps into variable speed intelligent pumping systems. Thanks to the HYDROVAR, the speed of each pump varies so as to maintain a constant flow, a constant pressure, or a differential pressure. In doing so, at any point in time, the pump only receives the energy required. This in turns allows for considerable savings, especially for systems that have varying loads throughout the day.

**Easy installation and space-saving:** e-SVIH saves time and space during installation. The Hydrovar is delivered already mounted on the motor (for models up to 22kW). The hydrovar is kept cool by the motor fan and does not require a control panel. In order to function, only fuses on the supply line are needed (Check your local electrical installation regulations).

**Standard motors:** e-SVIH models are fitted with three-phase standard TEFC motors with insulation class 155 (F) and IE3 efficiency level from 0,75 to 22 kW.

#### **Key Features of the HYDROVAR**

- **No need for additional pressure sensors:**

The e-SVIH is fitted with a pressure transmitter or differential pressure transmitters, depending on the application. The pressure sensors(s) are pre-wired. For e-SVI with round flanges (S and N versions) the sensors can be installed on the pump flanges.

- **No need for special pumps or motors.**

- **e-SVIH is already pre-wired.**

- **No need for IN LINE filters.**

HYDROVAR already includes the THDi filter embedded as standard.

- **No need for bypass or safety systems:**

The e-SVIH will immediately switch off when demand drops to zero or when it exceeds maximum pump capacity; thus making installation of additional safety devices unnecessary.

- **Anti-condensation device:**

The HYDROVAR is fitted with anti-condensation devices which switch on when the pump is in standby in order to prevent condensation forming in the unit.



## e-SVIH SERIES e-SVI WITH HYDROVAR

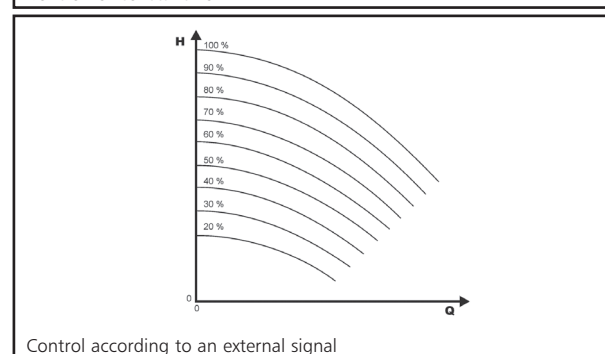
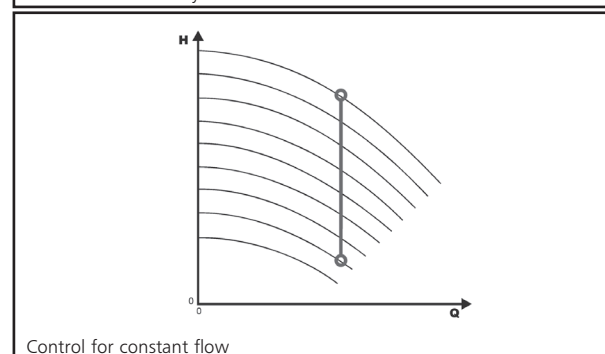
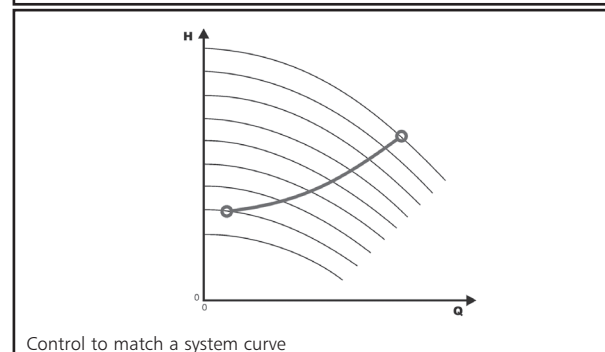
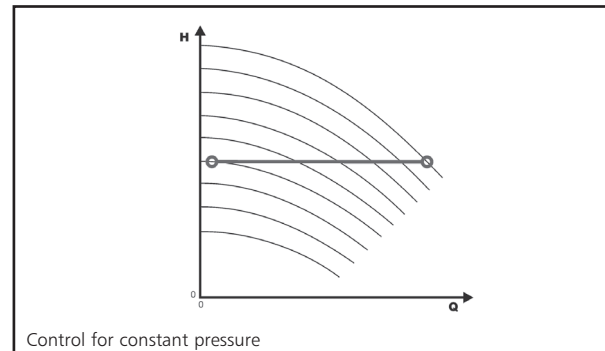
The basic function of the HYDROVAR device is to control the pump to meet the system demands.

### HYDROVAR performs these functions by:

- 1) Measuring the system pressure or flow via a transmitter mounted on the pump's delivery side.
- 2) Calculating the motor speed to maintain the correct flow or pressure.
- 3) Sending out a signal to the pump to start the motor, increase speed, decrease speed or stop.
- 4) In the case of multiple pump installations, HYDROVAR will automatically provide for the cyclic changeover of the pumps' starting sequence.

In addition to these basic functions, HYDROVAR can perform controls only manageable by the most advanced computerized control systems. Some examples are:

- Stop the pump(s) at zero demand.
- Stop the pump(s) in case of water failure on the suction side (protection against dry running).
- Stop the pump if the required delivery exceeds the pump's capacity (protection against cavitation caused by excessive demand), or automatically switch on the next pump in a multiple series.
- Protect the pump and motor from over-voltage, under-voltage, overload, and earth fault.
- Vary the pump speed: acceleration and deceleration time.
- Compensate for increased flow resistance at high flow rates.
- Conduct automatic tests at set intervals.
- Monitor the converter and motor operating hours.
- Display the energy consumption (kWh).
- Display all functions on an LCD in different languages (Italian, English, French, German, Spanish, Portuguese, Dutch, etc...).
- Send a signal to a remote control system which is proportional to the pressure and frequency.
- Communicate with external control system via Modbus (RS 485 interface) and Bacnet as standard.



## e-SVIH SERIES HYDROVAR (ErP 2009/125/EC)

From 1 July 2021 in accordance with the new **Regulations (EU) 2019/1781** and **2021/341** the **variance speed drives** with **three-phase input/output current**, rated voltage between **100 V** and **1000 V**, rated for operating with motors included in the same regulation (**0,12- 1000 kW**), must have efficiency level **IE2**.

The tables below also contain the mandatory information pursuant to Annex I, section 4, of the Regulations.

PN kW	Phase	UNin V	Pa kVA	Power losses (PL) with 10 KHz frequency										IE		
				% Pa												
				(% rated speed; % rated torque)												
				stand-by	0;25	0;50	0;100	50;25	50;50	50;100	90;50	90;100				
1,5	~1	208-240		not included in regulation												
2,2																
3																
4																
1,5	~3	208-240	2,45	0,4%	1,3%	1,6%	1,9%	1,4%	1,7%	2,5%	2,0%	3,1%	2			
2,2			3,46	0,3%	1,3%	1,6%	2,4%	1,4%	1,8%	2,7%	2,0%	3,3%				
3			5,15	0,2%	1,1%	1,4%	2,2%	1,3%	1,7%	2,6%	1,9%	3,2%				
4			6,00	0,2%	1,1%	1,3%	2,1%	1,3%	1,6%	2,5%	1,9%	3,1%				
5,5			7,90	0,1%	0,9%	1,1%	1,8%	1,0%	1,4%	2,4%	1,7%	3,2%				
7,5			10,1	0,1%	0,7%	0,9%	1,5%	0,8%	1,1%	2,1%	1,4%	3,1%				
11			15,1	0,1%	0,7%	0,9%	1,7%	0,8%	1,2%	2,3%	1,4%	3,0%				
1,5			~3	380-460	2,56	0,4%	1,2%	1,5%	1,8%	1,3%	1,6%	2,1%		1,6%	2,3%	2
2,2					3,67	0,3%	1,2%	1,3%	1,7%	1,3%	1,5%	2,1%		1,6%	2,3%	
3					5,00	0,2%	1,1%	1,1%	1,5%	1,2%	1,4%	2,1%		1,5%	2,2%	
4	6,20	0,2%			1,0%	0,9%	1,4%	1,1%	1,4%	2,0%	1,4%	2,2%				
5,5	8,30	0,2%			0,8%	0,8%	1,3%	0,9%	1,2%	1,9%	1,3%	2,2%				
7,5	10,7	0,1%			0,7%	0,6%	1,2%	0,7%	1,0%	1,8%	1,2%	2,3%				
11	15,9	0,1%			0,6%	0,6%	1,2%	0,7%	1,0%	1,8%	1,2%	2,2%				
15	21,5	0,1%			0,5%	0,6%	1,2%	0,6%	0,9%	1,6%	1,1%	2,0%				
18,5	25,6	0,1%			0,5%	0,6%	1,2%	0,6%	0,8%	1,6%	1,0%	1,9%				
22	29,4	0,0%			0,5%	0,7%	1,3%	0,6%	0,9%	1,6%	1,0%	2,1%				

hvl-pl-en\_a\_te

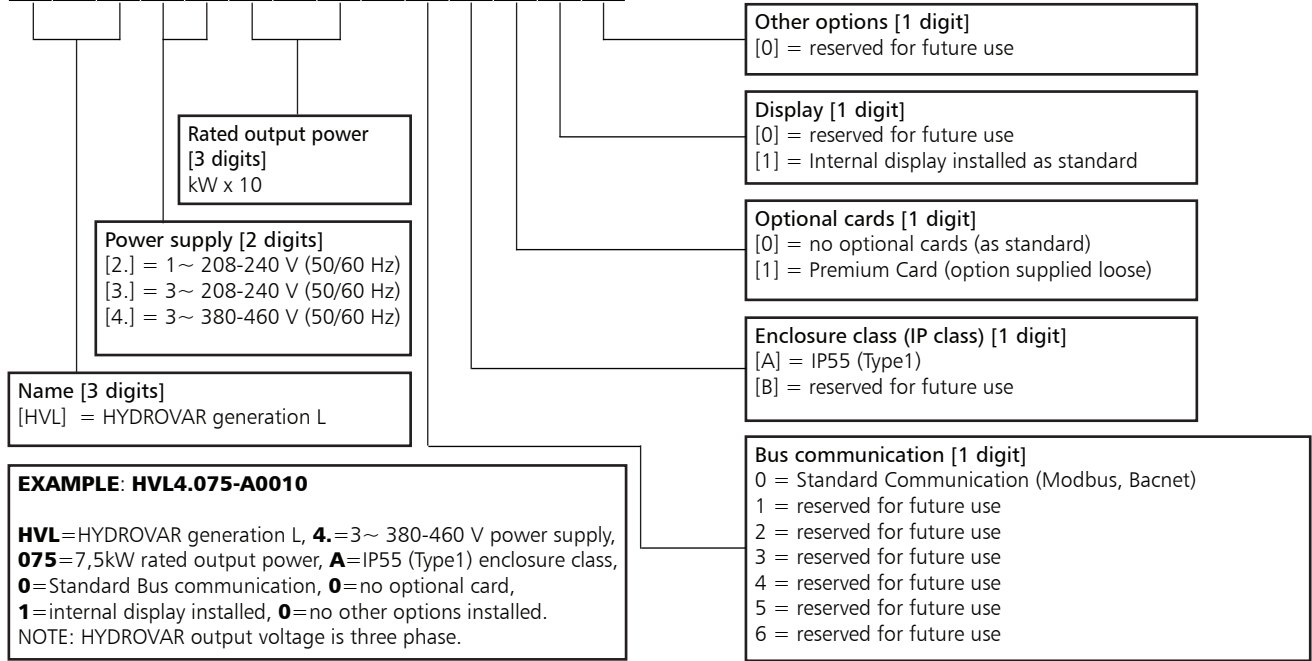
PN kW	~	UNin V	Manufacturer		f <sub>Nin</sub> Hz	I <sub>Nin</sub> max A	U <sub>nout</sub> V	f <sub>Nout</sub> Hz	I <sub>nout</sub> max A	Operating conditions*										
			Xylem Service Italia Srl Reg. No. 07520560967 Montecchio Maggiore (VI) - Italia							Altitude asl m	T.amb min/max °C	ATEX								
			Model																	
1,5	1	208-240	HVL 2.015-..		50/60	11,6	0-100% U <sub>Nin</sub>	15-70	7,5	≤1000	-15/40	No								
2,2			HVL 2.022-..			1			15,1											
3			HVL 2.030-..			22,3			14,3											
4			HVL 2.040-..			27,6			16,7											
1,5	3	208-240	HVL 3.015-..		50/60	7	0-100% U <sub>Nin</sub>	15-70	7,5	≤1000	-15/40	No								
2,2			HVL 3.022-..			9,1			10											
3			HVL 3.030-..			13,3			14,3											
4			HVL 3.040-..			16,5			16,7											
5,5			HVL 3.055-..			23,5			24,2											
7,5			HVL 3.075-..			29,6			31											
11			HVL 3.110-..			3			43,9											
1,5			3	380-460		HVL 4.015-..			50/60				3,9	0-100% U <sub>Nin</sub>	15-70	4,1	≤1000	-15/40	No	
2,2						HVL 4.022-..							5,3			5,7				
3						HVL 4.030-..							7,2			7,3				
4	HVL 4.040-..				10,1	10														
5,5	HVL 4.055-..				12,8	13,5														
7,5	HVL 4.075-..				16,9	17														
11	HVL 4.110-..				24,2	24														
15	HVL 4.150-..				33,3	32														
18,5	HVL 4.185-..				38,1	38														
22	HVL 4.220-..				44,7	44														

\*up to 2000 meters or maximum 55°C reducing the supplied power

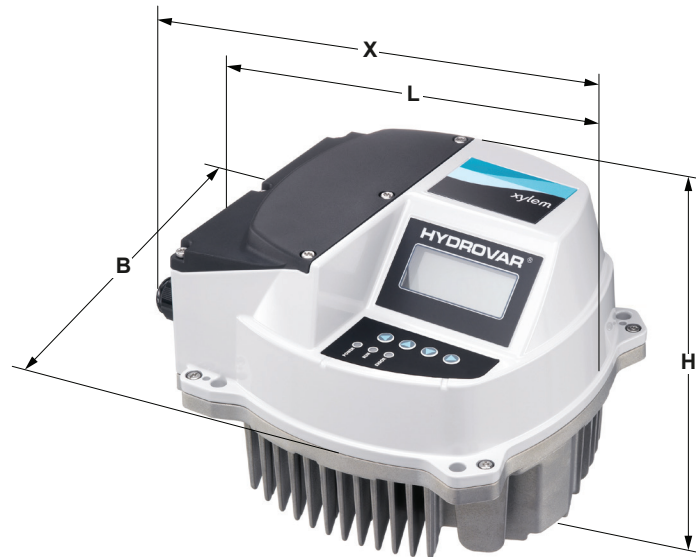
hvl-en\_b\_te

## HYDROVAR HVL IDENTIFICATION CODE

**H V L 4 . 0 7 5 - A 0 0 1 0**



## DIMENSIONS AND WEIGHTS



TYPE	MODELS			DIMENSIONS (mm)				WEIGHT Kg
	/2	/3	/4	L	B	H	X	
SIZE A	HVL2.015 ÷ 2.022	HVL3.015 ÷ 3.022	HVL4.015 ÷ 4.040	216	205	170	243	5,6
SIZE B	HVL2.030 ÷ 2.040	HVL3.030 ÷ 3.055	HVL4.055 ÷ 4.110	276	265	185	305	10,5
SIZE C	-	HVL3.075 ÷ 3.110	HVL4.150 ÷ 4.220	366	337	200	407	15,6

HVL\_dim-en\_b\_td

## HYDROVAR HVL EMC COMPATIBILITY

### EMC requirements

HYDROVAR fulfills the product standard EN61800-3:2004 + A1:2012, which defines categories (C1 to C4) for device application areas.

Depending on the motor cable length, a classification of HYDROVAR by category (based on EN61800-3) is reported in the following tables:

HVL	HYDROVAR classification by categories based on EN61800-3
2.015 ÷ 2.040	C1 (*)
3.015 ÷ 3.110	C2 (*)
4.015 ÷ 4.220	C2 (*)

(\*) 0,75 motor cable length; contact Xylem for further information

En-Rev\_A

## CARD

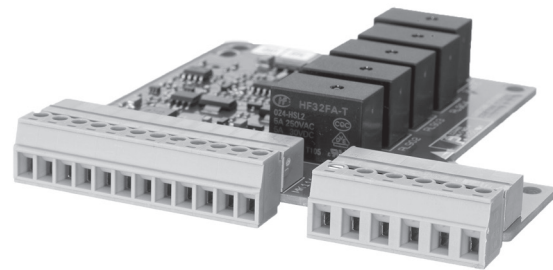
### Premium Card HYDROVAR (optional)

For the e-SVIH series, the Premium Card comes fitted as option on the standalone HYDROVAR.

This allows to control up to five fix speed pumps via an external panel.

The Premium Card will allow additional features listed below:

- 2 additional Analog Inputs
- 2 Analog Outputs
- 1 additional digital input
- 5 relays.



## OPTIONAL COMPONENTS

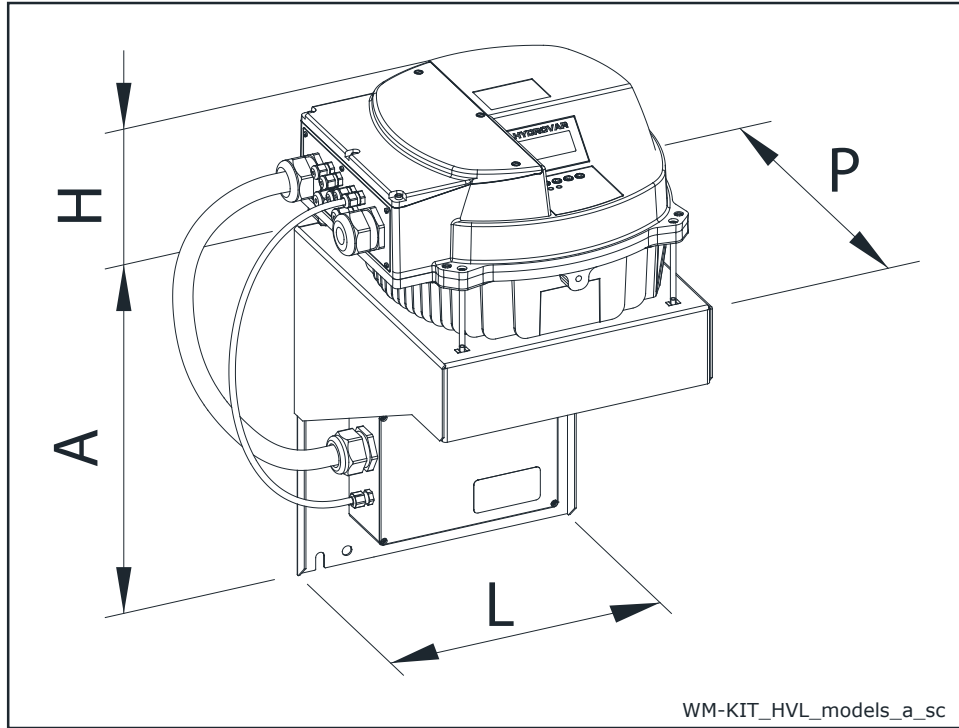
### Sensors

The following sensors are available for HYDROVAR:

- a. Pressure-transducer
- b. Differential pressure-transducer
- c. Temperature-sensor
- d. Flow indicator (orifice plate, inductive flow meter)
- e. Level-sensor.

## HYDROVAR HVL (WALL MOUNTING KIT) DIMENSIONS AND WEIGHTS

As an option a HYDROVAR wall mounting kit is also available. This is used where mounting on the pump unit is impossible or where you would like the controls in another location. These are available for the new generation HYDROVAR HVL 2.015-4.220 (22 kW). The speed of the cooling fan modulates with the HYDROVAR usage which optimizes energy consumption and also reduces noise.



WM KIT TYPE	kW	WM KIT POWER SUPPLY	HVL SIZE	DIMENSIONS (mm)				WEIGHT (kg)	
				A	H	L	P	HVL	WM KIT
WM KIT HVL 2.015	1,5	1~ 230V	A	220	170	202	232	5,6	2,6
WM KIT HVL 2.022	2,2			220	170	202	232	5,6	2,6
WM KIT HVL 2.030	3		B	240	175	258	290	10,5	8,2
WM KIT HVL 2.040	4			320	175	288	305	10,5	5,4
WM KIT HVL 3.015	1,5	3~ 230V	A	220	170	202	232	5,6	2,6
WM KIT HVL 3.022	2,2			220	170	202	232	5,6	2,6
WM KIT HVL 3.030	3		B	240	175	258	290	10,5	8,2
WM KIT HVL 3.040	4			240	175	258	290	10,5	8,2
WM KIT HVL 3.055	5,5		C	240	175	258	290	10,5	8,2
WM KIT HVL 3.075	7,5			400	200	325	365	15,6	11,6
WM KIT HVL 3.110	11		400	200	325	365	15,6	11,6	
WM KIT HVL 4.015	1,5		3~ 400V	A	240	170	258	290	5,6
WM KIT HVL 4.022	2,2	240			170	258	290	5,6	8,2
WM KIT HVL 4.030	3	240			170	258	290	5,6	8,2
WM KIT HVL 4.040	4	240			170	258	290	5,6	8,2
WM KIT HVL 4.055	5,5	B		240	175	258	290	10,5	8,2
WM KIT HVL 4.075	7,5			240	175	258	290	10,5	8,2
WM KIT HVL 4.110	11	C		320	175	288	305	10,5	5,4
WM KIT HVL 4.150	15			400	200	325	365	15,6	11,6
WM KIT HVL 4.185	18,5			400	200	325	365	15,6	11,6
WM KIT HVL 4.220	22			400	200	325	365	15,6	11,6

WM-KIT\_HVL\_models-EN\_b\_td

## e-SVIE SERIES e-SVI SMART

### Background and context

In every sector, from construction and industry to agriculture and building services the need for intelligent, compact and high-efficiency pumping systems is constantly growing.

That's why Lowara has developed the e-SVI Smart series: an integrated intelligent pumping system with electronically driven, permanent magnet motor (IE5 efficiency level).

The integrated control system, combined with the high performance, power and efficiency from the motor and hydraulics, guarantees impressively low operating costs. You also benefit from flexibility, precision and its ultra-compact size.

### Savings

The electronics and permanent magnet motor are highly efficient and minimize power losses while transferring maximum energy to the hydraulic parts of the pump.

The refined control system with integrated microprocessor adjusts the motor speed, matching the required operating point of the pump or system requirements.

This reduces demand on electricity according to the required working conditions.

This creates economies, especially in systems where pump demand varies over time.

### Flexibility

The compact size, low loss and increased control make the e-SVI Smart series a good choice in applications and systems where fixed speed pumps are commonly used. The e-SVI Smart series is easy to integrate in control and regulation loops thanks to the wide availability of compatible communication protocols, including analog and digital inputs.

The pump is supplied with a pressure sensor.

### Ease of use and commissioning

e-SVI Smart has an intuitive interface that guides the user through the installation, and a practical area to assist with connections.

The control system is integrated and no additional external electrical panel is required.

### Application sectors

- Water supply systems in residential buildings
- Air conditioning
- Water treatment plants
- Industrial installations



### e-SM system

- Single-phase power supply: 208-240V +/- 10%, 50/60 Hz
- Three-phase power supply:
  - from 0,37kW to 1,5kW: 208-240/380-460V +/- 10%, 50/60 Hz
  - 2,2kW: 380-460V +/- 10%, 50/60 Hz
- Power up to 2,2kW
- Protection class IP 55
- Can be linked up to 3 e-SVI Smart pumps

### Pump

- Flow rate: up to 30 m<sup>3</sup>/h
- Head: up to 235 m
- Maximum operating pressure 25 bar (PN 25)
- The hydraulic performances meet the tolerances specified in ISO 9906:2012.
- Environment temperature: -20° C to +50° C with no performance derating

### Motor

- IE5 efficiency level (IEC TS 60034-30-2:2016)
- Synchronous electric motor with permanent magnets, (TEFC), closed structure, air-cooled
- Insulation class 155 (F)
- Overload protection and locked rotor with automatic reset incorporated

### Regulations (EU) 2019/1781 e 2021/341

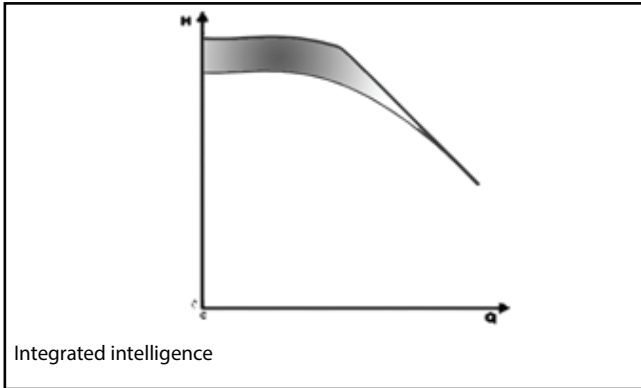
#### Annex I – point 4 (Product information)

The requirements shall not apply to these variable speed drives, as they are integrated to permanent magnet motors, that aren't covered by the same regulations.

## e-SVIE SERIES e-SVI SMART

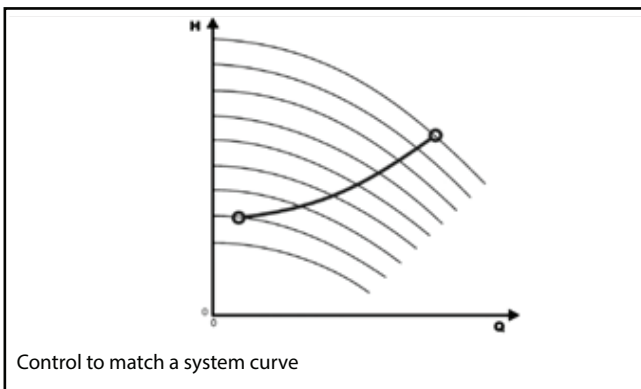
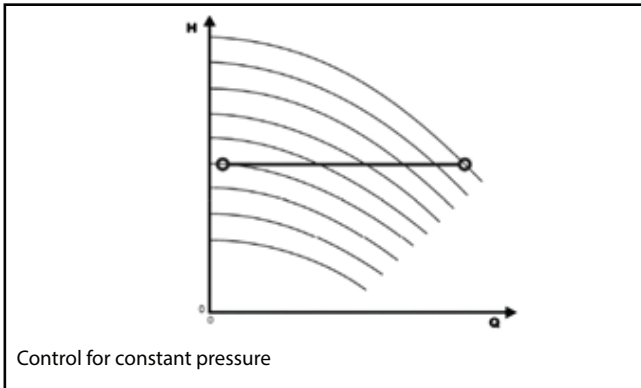
e-SVI Smart series is equipped with an intelligent control that optimizes hydraulic performance while minimizing waste.

**Integrated intelligence:** The electronic control of the motor enables a 20% increase in performance compared to an equivalent fixed speed pump (area highlighted in figure "Integrated intelligence").






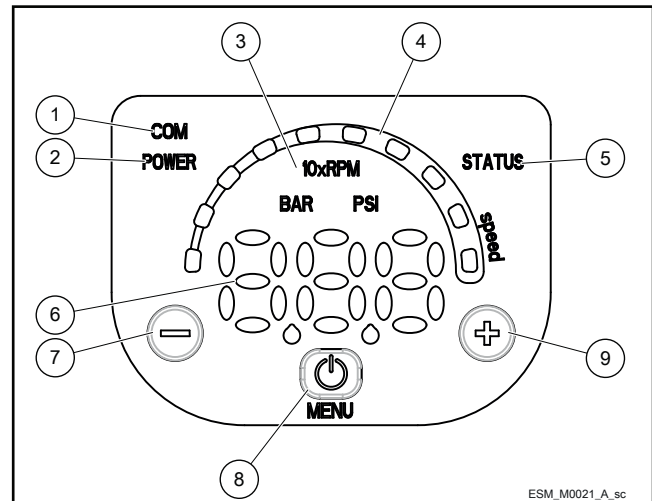
**Adjustment:** This is possible both at constant pressure and according to the characteristic curve of the system, based on the customer's preferences.

Another option is according to an external signal or at a preset speed.

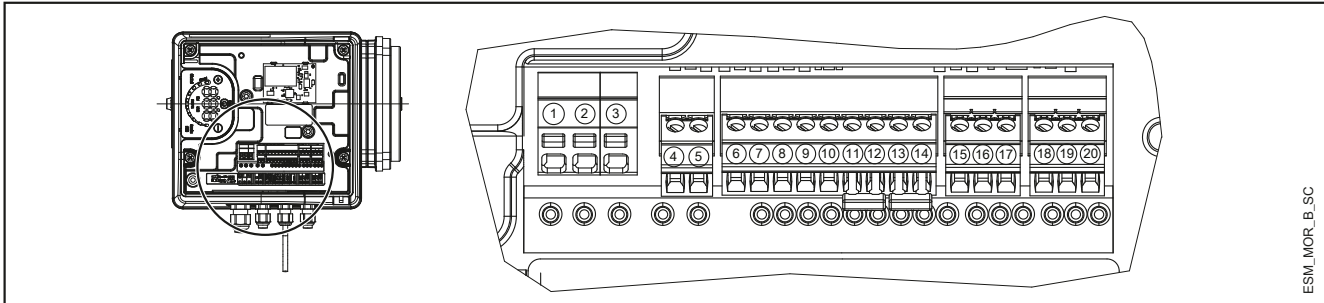


**Intuitive and simple interface:** You can control the unit from just three buttons, with an easy to read display for parameters and alarms, designed for complete control of system operation.

- ① Communication LED
- ② Power on LED
- ③ Unit of measure LED
- ④ Speed LED bar
- ⑤ Status LED
- ⑥ Numeric display
- ⑦  Decrease key
- ⑧  On/off and menu key
- ⑨  Increase key



## e-SVIE SERIES SINGLE PHASE TERMINAL BLOCK

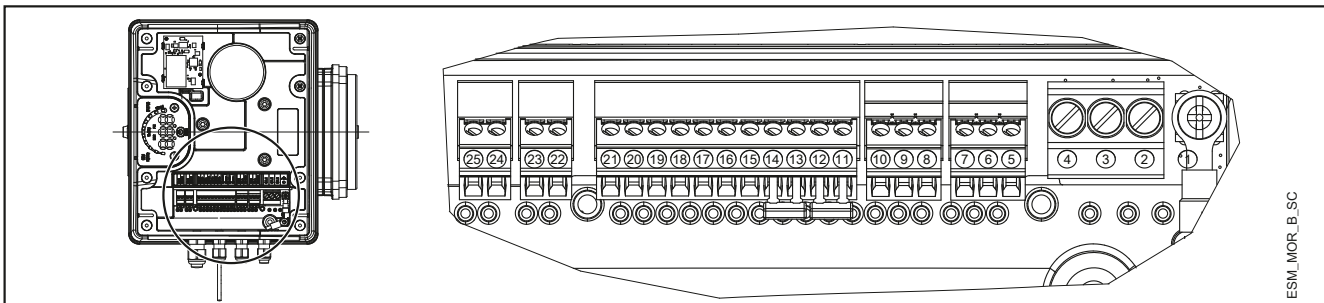


ESM\_MOR\_B\_SC

REF.	ITEM	DESCRIPTION
4	Fault Signal	COM - error status relay
5		NO - error status relay
6	Auxiliary Voltage Supply	Auxiliary voltage supply +15 VDC
7	Analog input 0-10V	Actuator mode 0-10 V input
8		GND for 0-10 V input
9	External Pressure sensor [also Differential]	Power supply external sensor +15 VDC
10		External sensor 4-20 mA input
11	External Start/Stop	External ON/OFF input reference
12		External ON/OFF input
13	External Lack of Water	Low water input
14		Low water reference
15	Communication bus	RS485 port 1: RS485-1N B (-)
16		RS485 port 1: RS485-1P A (+)
17		Electronic GND
18	Communication bus	RS485 port 2: RS485 port 2: RS485-2N B (-) active only with optional module
19		RS485 port 2: RS485 port 2: RS485-2P A (+) active only with optional module
20		Electronic GND

MorsM-en\_a\_sc

## THREE-PHASE TERMINAL BLOCK



ESM\_MOR\_B\_SC

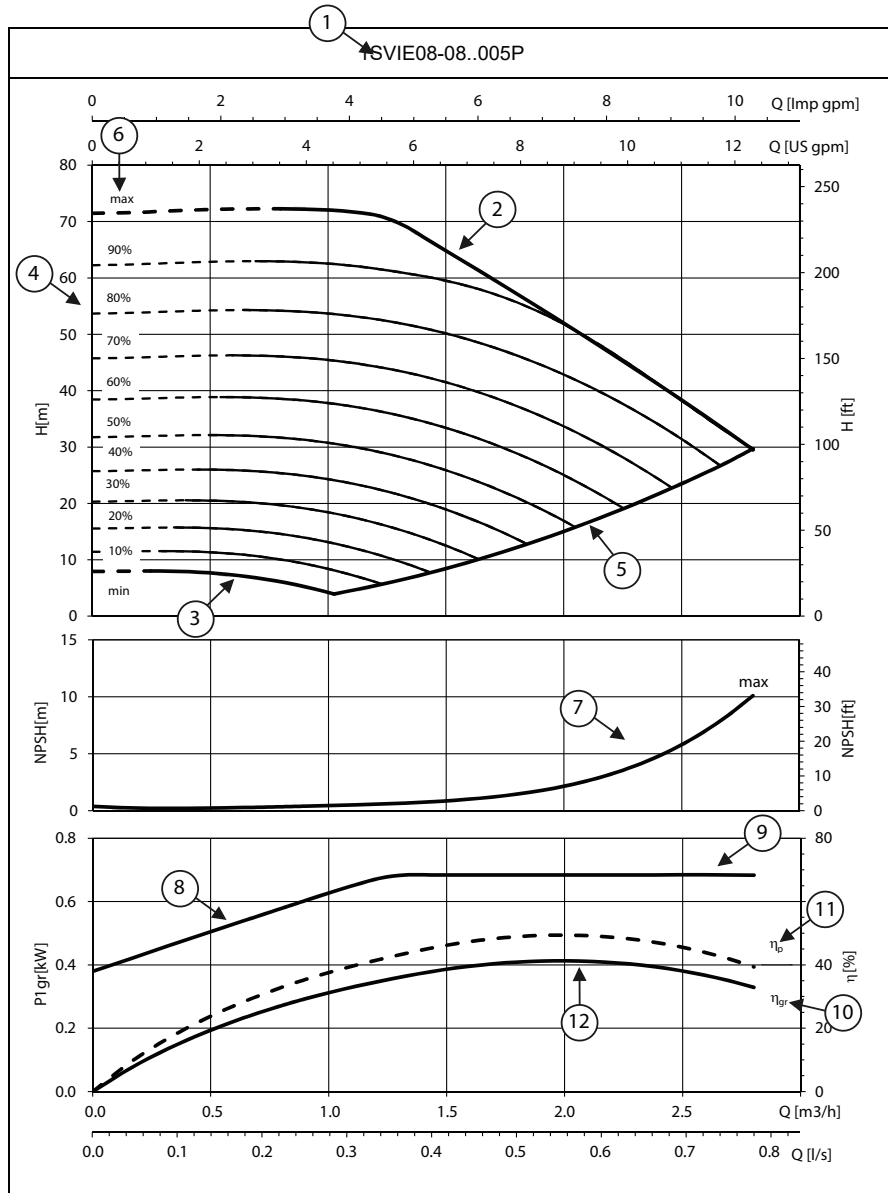
REF.	ITEM	DESCRIPTION
5	Communication bus	Electronic GND
6		RS485 port 1: RS485-1P A (+)
7	RS485 port 1: RS485-1N B (-)	
8	Communication bus	Electronic GND
9		RS485 port 2: RS485 port 2: RS485-2P A (+) active only with optional module
10	RS485 port 2: RS485 port 2: RS485-2N B (-) active only with optional module	
11	External Lack of Water	Low water reference
12		Low water input
13	External Start/Stop	External ON/OFF input reference
14		External ON/OFF input
15	External Pressure sensor	External sensor 4-20 mA input
16		Power supply external sensor +15 VDC
17	External Pressure sensor [also Differential]	External sensor 4-20 mA input
18		Power supply external sensor +15 VDC
19	Analog input 0-10V	GND for 0-10 V input
20		Actuator mode 0-10 V input
21	Auxiliary Voltage Supply	Auxiliary voltage supply +15 VDC
22	Motor running signal	Normally open contact
23		Common contact
24	Fault Signal	NO - error status relay
25		COM - error status relay

MorsT-en\_a\_sc



**e-SVIE SERIES  
HOW TO READ SMART PUMP SERIES CURVES**

To exploit to the maximum potential of Smart Pumps it's important to properly read working curves:



① **Pump model**

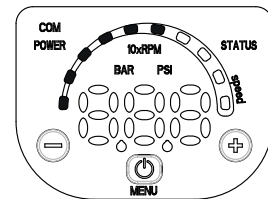
② **Maximum speed curve:** equal to 3600 rpm

③ **Minimum speed curve:** it refers to the minimum rpm level the motor can work at, it's calculated depending on the model of pump maximizing for each one the working area and allowing the highest system flexibility.

④ The **area with dotted lines** is where the pump can only operate intermittently for short periods of time.

⑤ Each **intermediate curve** between max and min speed shows the percentage of load the pump+motor+drive system is working at; it's easy to read also from the LED speed bar on the HMI keypad: at 90% there will be 9 led, at 80% there will be 8 and so on.

Example: at 60% there will be 6 lit leds



⑥ The **part load percentage** is calculated depending on maximum speed (*max*, 100%) and minimum speed (*min*, equal to 0%, which is the minimum part load step, below it the drive stays powered up but cannot work).

⑦ **NPSH**: is the net positive suction head of pump+motor+drive system working at maximum speed.

⑧ **P1<sub>gr</sub>** is the power absorption in kW of pump+motor+drive system working at maximum speed.

⑨ **Load control**: the Smart Pump controls and limits power consumption at high flow/low head, in this way the motor stays protected from overload and ensure a longer life of pump+motor+drive system.

⑩  $\eta_{gr}$  is the efficiency of pump+motor+drive system working at maximum speed.

⑪  $\eta_p$  is the efficiency of the hydraulic part, working at maximum speed.

⑫ **Working point**: it's important to make sure the pump is working at the best working point, the one at highest efficiency.

It's easy to find it: it's the highest point of the hp pump efficiency curve; once you found it, you can learn also flow values from x-axis called Q and head values from y-axis called H which allow the system to work at the best working point.

## 1, 3, 5SVIE..E SERIES, SINGLE-PHASE VERSION HYDRAULIC PERFORMANCE TABLE

PUMP TYPE SVIE Single-phase	MOTOR		e-SM SET		l/min 0 m <sup>3</sup> /h 0	Q = DELIVERY						
	P <sub>N</sub> kW	TYPE 1x230 V	* P <sub>1</sub> kW	* I 208-240 V A		6,7	13,3	20,0	26,7	33,3	40,0	46,7
H = TOTAL HEAD IN METRES OF COLUMN OF WATER												
1SVIE05-05E..003	0,37	ESM 80/103 SVIEE	0,49	2,24	44,7	45,0	45,2	44,6	41,5	35,0	28,1	20,8
1SVIE08-08E..005	0,55	ESM 80/105 SVIEE	0,68	3,07	71,5	72,0	72,3	71,2	62,3	52,0	41,2	29,6
1SVIE11-11E..007	0,75	ESM 80/107 SVIEE	0,91	4,04	98,3	99,1	99,3	97,7	85,1	70,9	56,0	40,0
1SVIE15-15E..011	1,1	ESM 80/111 SVIEE	1,33	5,85	134,1	135,1	135,5	133,8	123,6	103,9	83,3	61,4

PUMP TYPE SVIE Single-phase	MOTOR		e-SM SET		l/min 0 m <sup>3</sup> /h 0	Q = DELIVERY						
	P <sub>N</sub> kW	TYPE 1x230 V	* P <sub>1</sub> kW	* I 208-240 V A		13,3	26,7	40,0	53,3	66,7	80,0	86,7
H = TOTAL HEAD IN METRES OF COLUMN OF WATER												
3SVIE03-03E..003	0,37	ESM 80/103 SVIEE	0,49	2,24	33,4	33,7	33,6	30,7	24,9	19,5	14,0	10,9
3SVIE05-05E..005	0,55	ESM 80/105 SVIEE	0,69	3,08	55,7	56,2	55,8	46,3	37,1	28,4	19,5	14,4
3SVIE07-07E..007	0,75	ESM 80/107 SVIEE	0,92	4,06	77,9	78,7	77,2	63,4	50,7	38,6	26,0	18,7
3SVIE09-09E..011	1,1	ESM 80/111 SVIEE	1,33	5,85	100,2	101,0	100,5	88,8	72,5	56,4	39,9	31,2

PUMP TYPE SVIE Single-phase	MOTOR		e-SM SET		l/min 0 m <sup>3</sup> /h 0	Q = DELIVERY						
	P <sub>N</sub> kW	TYPE 1x230 V	* P <sub>1</sub> kW	* I 208-240 V A		26,7	53,3	80,0	106,7	133,3	160,0	166,7
H = TOTAL HEAD IN METRES OF COLUMN OF WATER												
5SVIE02-02E..003	0,37	ESM 80/103 SVIEE	0,49	2,24	22,4	22,2	21,6	18,4	14,7	11,1	7,5	6,5
5SVIE03-03E..005	0,55	ESM 80/105 SVIEE	0,68	3,07	33,5	33,2	32,4	27,4	21,8	16,5	11,0	9,5
5SVIE04-04E..007	0,75	ESM 80/107 SVIEE	0,91	4,05	44,7	44,3	43,2	37,3	29,7	22,6	15,2	13,3
5SVIE06-06E..011	1,1	ESM 80/111 SVIEE	1,33	5,86	67,1	66,5	64,8	54,8	43,6	33,0	22,0	19,1

\* Maximum value in specified range: P<sub>1</sub> = input power; I = input current.

1-5svie-e-esm-2p50-en\_a\_th

## 1, 3, 5SVIE..E SERIES, THREE-PHASE VERSION HYDRAULIC PERFORMANCE TABLE

PUMP TYPE SVIE Three-phase	MOTOR		e-SM SET			l/min 0 m <sup>3</sup> /h 0	Q = DELIVERY						
	P <sub>N</sub> kW	TYPE	* P <sub>1</sub> kW	* I 208-240 V A	* I 380-460 V A		6,7	13,3	20,0	26,7	33,3	40,0	46,7
H = TOTAL HEAD IN METRES OF COLUMN OF WATER													
1SVIE05-05E..003	0,37	ESM80/303 SVIE	0,49	2,14	1,45	44,7	45,0	45,2	44,6	41,5	34,9	28,0	20,8
1SVIE08-08E..005	0,55	ESM80/305 SVIE	0,69	2,81	1,90	71,5	72,0	72,3	71,2	62,4	52,1	41,2	29,7
1SVIE11-11E..007	0,75	ESM80/307 SVIE	0,91	3,55	2,40	98,3	99,1	99,3	97,7	85,0	70,9	56,0	40,1
1SVIE15-15E..011	1,1	ESM80/311 SVIE	1,37	4,94	3,45	134,1	135,1	135,5	133,8	123,6	104,0	83,3	61,4

PUMP TYPE SVIE Three-phase	MOTOR		e-SM SET			l/min 0 m <sup>3</sup> /h 0	Q = DELIVERY						
	P <sub>N</sub> kW	TYPE	* P <sub>1</sub> kW	* I 208-240 V A	* I 380-460 V A		13,3	26,7	40,0	53,3	66,7	80,0	86,7
H = TOTAL HEAD IN METRES OF COLUMN OF WATER													
3SVIE03-03E..003	0,37	ESM80/303 SVIE	0,49	2,14	1,47	33,4	33,8	33,6	30,7	24,9	19,5	14,0	10,9
3SVIE05-05E..005	0,55	ESM80/305 SVIE	0,70	2,81	1,92	55,7	56,2	55,8	46,3	37,1	28,4	19,4	14,4
3SVIE07-07E..007	0,75	ESM80/307 SVIE	0,93	3,55	2,43	77,9	78,7	77,2	63,3	50,6	38,6	26,0	18,7
3SVIE09-09E..011	1,1	ESM80/311 SVIE	1,37	4,96	3,45	100,2	101,0	100,5	88,8	72,5	56,4	39,9	31,2

PUMP TYPE SVIE Three-phase	MOTOR		e-SM SET			l/min 0 m <sup>3</sup> /h 0	Q = DELIVERY						
	P <sub>N</sub> kW	TYPE	* P <sub>1</sub> kW	* I 208-240 V A	* I 380-460 V A		26,7	53,3	80,0	106,7	133,3	160,0	166,7
H = TOTAL HEAD IN METRES OF COLUMN OF WATER													
5SVIE02-02E..003	0,37	ESM80/303 SVIE	0,50	2,13	1,48	22,4	22,2	21,6	18,4	14,7	11,1	7,5	6,5
5SVIE03-03E..005	0,55	ESM80/305 SVIE	0,69	2,80	1,92	33,5	33,2	32,4	27,4	21,8	16,5	11,0	9,5
5SVIE04-04E..007	0,75	ESM80/307 SVIE	0,92	3,55	2,42	44,7	44,3	43,2	37,3	29,7	22,6	15,2	13,3
5SVIE06-06E..011	1,1	ESM80/311 SVIE	1,38	4,96	3,46	67,1	66,5	64,8	54,8	43,6	33,0	22,0	19,1

\* Maximum value in specified range: P<sub>1</sub> = input power; I = input current.

1-5svie-esm-2p50T-en\_a\_th

# 1, 3, 5, 10, 15, 22 SVIE..C - 1, 3, 5, 10, 15, 22 SVIE..M SERIES

## SINGLE-PHASE VERSION

### HYDRAULIC PERFORMANCE TABLE

PUMP TYPE SVIE Single-phase	MOTOR		e-SM SET		l/min 0 m <sup>3</sup> /h 0	Q = DELIVERY						
	P <sub>N</sub> kW	TYPE 1x230 V	* P <sub>1</sub> kW	* I 208-240 V A		6,7	13,3	20,0	26,7	33,3	40,0	46,7
1SVIE05-05..003	0,37	ESM90R/103 SVIE	0,49	2,24	44,7	45,0	45,2	44,6	41,5	35,0	28,1	20,8
1SVIE08-08..005	0,55	ESM90R/105 SVIE	0,68	3,07	71,5	72,0	72,3	71,2	62,3	52,0	41,2	29,6
1SVIE11-11..007	0,75	ESM90R/107 SVIE	0,91	4,04	98,3	99,1	99,3	97,7	85,1	70,9	56,0	40,0
1SVIE15-15..011	1,1	ESM90R/111 SVIE	1,33	5,85	134,1	135,1	135,5	133,8	123,6	103,9	83,3	61,4
1SVIE20-20..015	1,5	ESM90R/115 SVIE	1,78	7,79	178,9	180,1	180,6	178,5	168,0	141,6	114,0	84,7

PUMP TYPE SVIE Single-phase	MOTOR		e-SM SET		l/min 0 m <sup>3</sup> /h 0	Q = DELIVERY						
	P <sub>N</sub> kW	TYPE 1x230 V	* P <sub>1</sub> kW	* I 208-240 V A		13,3	26,7	40,0	53,3	66,7	80,0	86,7
3SVIE03-03..003	0,37	ESM90R/103 SVIE	0,49	2,24	33,4	33,7	33,6	30,7	24,9	19,5	14,0	10,9
3SVIE05-05..005	0,55	ESM90R/105 SVIE	0,69	3,08	55,7	56,2	55,8	46,3	37,1	28,4	19,5	14,4
3SVIE07-07..007	0,75	ESM90R/107 SVIE	0,92	4,06	77,9	78,7	77,2	63,4	50,7	38,6	26,0	18,7
3SVIE09-09..011	1,1	ESM90R/111 SVIE	1,33	5,85	100,2	101,0	100,5	88,8	72,5	56,4	39,9	31,2
3SVIE11-11..015	1,5	ESM90R/115 SVIE	1,78	7,80	122,5	123,3	122,5	117,9	98,4	78,0	57,2	46,3

PUMP TYPE SVIE Single-phase	MOTOR		e-SM SET		l/min 0 m <sup>3</sup> /h 0	Q = DELIVERY						
	P <sub>N</sub> kW	TYPE 1x230 V	* P <sub>1</sub> kW	* I 208-240 V A		26,7	53,3	80,0	106,7	133,3	160,0	166,7
5SVIE02-02..003	0,37	ESM90R/103 SVIE	0,49	2,24	22,4	22,2	21,6	18,4	14,7	11,1	7,5	6,5
5SVIE03-03..005	0,55	ESM90R/105 SVIE	0,68	3,07	33,5	33,2	32,4	27,4	21,8	16,5	11,0	9,5
5SVIE04-04..007	0,75	ESM90R/107 SVIE	0,91	4,05	44,7	44,3	43,2	37,3	29,7	22,6	15,2	13,3
5SVIE06-06..011	1,1	ESM90R/111 SVIE	1,33	5,86	67,1	66,5	64,8	54,8	43,6	33,0	22,0	19,1
5SVIE08-08..015	1,5	ESM90R/115 SVIE	1,78	7,81	88,8	89,1	87,1	76,3	60,8	46,2	31,7	27,9

PUMP TYPE SVIE Single-phase	MOTOR		e-SM SET		l/min 0 m <sup>3</sup> /h 0	Q = DELIVERY						
	P <sub>N</sub> kW	TYPE 1x230 V	* P <sub>1</sub> kW	* I 208-240 V A		43,3	86,7	130,0	173,3	216,7	260,0	283,3
10SVIE02-02..007	0,75	ESM90R/107 SVIE	0,92	4,09	24,2	23,8	22,9	21,2	17,6	12,6	7,1	3,6
10SVIE02-02..011	1,1	ESM90R/111 SVIE	1,33	5,85	34,8	34,4	33,5	31,8	25,9	20,2	14,3	11,0
10SVIE03-03..015	1,5	ESM90R/115 SVIE	1,78	7,81	52,7	52,1	50,9	44,0	35,6	27,8	19,7	15,1

PUMP TYPE SVIE Single-phase	MOTOR		e-SM SET		l/min 0 m <sup>3</sup> /h 0	Q = DELIVERY						
	P <sub>N</sub> kW	TYPE 1x230 V	* P <sub>1</sub> kW	* I 208-240 V A		70,0	140,0	210,0	280,0	350,0	420,0	483,3
15SVIE02-02..015	1,5	ESM90R/115 SVIE	1,76	7,71	29,6	29,1	28,3	26,8	22,2	16,4	10,1	3,8

PUMP TYPE SVIE Single-phase	MOTOR		e-SM SET		l/min 0 m <sup>3</sup> /h 0	Q = DELIVERY						
	P <sub>N</sub> kW	TYPE 1x230 V	* P <sub>1</sub> kW	* I 208-240 V A		73,3	146,7	220,0	293,3	366,7	440,0	500,0
22SVIE02-02..015	1,5	ESM90R/115 SVIE	1,72	7,56	31,4	30,9	30,2	26,0	20,8	15,4	9,1	2,8

\* Maximum value in specified range: P<sub>1</sub> = input power; I = input current.

1-22sve-esm-2p50-en\_a\_th

# 1, 3, 5, 10, 15, 22 SVIE..C - 1, 3, 5, 10, 15, 22 SVIE..M SERIES

## THREE-PHASE VERSION

### HYDRAULIC PERFORMANCE TABLE

PUMP TYPE SVIE Three-phase	MOTOR		e-SM SET		Q = DELIVERY								
	P <sub>N</sub> kW	TYPE 1x230 V	* P <sub>1</sub> kW	* I	* I	l/min 0	6,7	13,3	20,0	26,7	33,3	40,0	46,7
				208-240 V 380-460 V		m <sup>3</sup> /h 0	0,4	0,8	1,2	1,6	2,0	2,4	2,8
H = TOTAL HEAD IN METRES OF COLUMN OF WATER													
1SVIE05-05..003	0,37	ESM90R/303 SVIE	0,49	2,14	1,45	44,7	45,0	45,2	44,6	41,5	34,9	28,0	20,8
1SVIE08-08..005	0,55	ESM90R/305 SVIE	0,69	2,81	1,90	71,5	72,0	72,3	71,2	62,4	52,1	41,2	29,7
1SVIE11-11..007	0,75	ESM90R/307 SVIE	0,91	3,55	2,40	98,3	99,1	99,3	97,7	85,0	70,9	56,0	40,1
1SVIE15-15..011	1,1	ESM90R/311 SVIE	1,37	4,94	3,45	134,1	135,1	135,5	133,8	123,6	104,0	83,3	61,4
1SVIE20-20..015	1,5	ESM90R/315 SVIE	1,82	6,34	4,41	178,9	180,1	180,6	178,4	168,1	141,7	114,0	84,7
1SVIE26-26..022	2,2	ESM90R/322 SVIE	2,53	-	5,85	232,5	234,0	235,0	231,6	222,2	204,4	170,0	130,7

PUMP TYPE SVIE Three-phase	MOTOR		e-SM SET		Q = DELIVERY								
	P <sub>N</sub> kW	TYPE 1x230 V	* P <sub>1</sub> kW	* I	* I	l/min 0	13,3	26,7	40,0	53,3	66,7	80,0	86,7
				208-240 V 380-460 V		m <sup>3</sup> /h 0	0,8	1,6	2,4	3,2	4,0	4,8	5,2
H = TOTAL HEAD IN METRES OF COLUMN OF WATER													
3SVIE03-03..003	0,37	ESM90R/303 SVIE	0,49	2,14	1,47	33,4	33,8	33,6	30,7	24,9	19,5	14,0	10,9
3SVIE05-05..005	0,55	ESM90R/305 SVIE	0,70	2,81	1,92	55,7	56,2	55,8	46,3	37,1	28,4	19,4	14,4
3SVIE07-07..007	0,75	ESM90R/307 SVIE	0,93	3,55	2,43	77,9	78,7	77,2	63,3	50,6	38,6	26,0	18,7
3SVIE09-09..011	1,1	ESM90R/311 SVIE	1,37	4,96	3,45	100,2	101,0	100,5	88,8	72,5	56,4	39,9	31,2
3SVIE11-11..015	1,5	ESM90R/315 SVIE	1,82	6,35	4,42	122,5	123,3	122,5	117,9	98,4	77,9	57,2	46,4
3SVIE17-17..022	2,2	ESM90R/322 SVIE	2,54	-	5,87	189,8	191,6	190,4	183,4	151,3	119,6	87,4	70,6

PUMP TYPE SVIE Three-phase	MOTOR		e-SM SET		Q = DELIVERY								
	P <sub>N</sub> kW	TYPE 1x230 V	* P <sub>1</sub> kW	* I	* I	l/min 0	26,7	53,3	80,0	106,7	133,3	160,0	166,7
				208-240 V 380-460 V		m <sup>3</sup> /h 0	1,6	3,2	4,8	6,4	8,0	9,6	10,0
H = TOTAL HEAD IN METRES OF COLUMN OF WATER													
5SVIE02-02..003	0,37	ESM90R/303 SVIE	0,50	2,13	1,48	22,4	22,2	21,6	18,4	14,7	11,1	7,5	6,5
5SVIE03-03..005	0,55	ESM90R/305 SVIE	0,69	2,80	1,92	33,5	33,2	32,4	27,4	21,8	16,5	11,0	9,5
5SVIE04-04..007	0,75	ESM90R/307 SVIE	0,92	3,55	2,42	44,7	44,3	43,2	37,3	29,7	22,6	15,2	13,3
5SVIE06-06..011	1,1	ESM90R/311 SVIE	1,38	4,96	3,46	67,1	66,5	64,8	54,8	43,6	33,0	22,0	19,1
5SVIE08-08..015	1,5	ESM90R/315 SVIE	1,83	6,38	4,43	88,8	89,1	87,1	76,3	60,8	46,3	31,7	28,0
5SVIE12-12..022	2,2	ESM90R/322 SVIE	2,55	-	5,88	133,2	133,5	130,6	112,2	89,2	67,5	45,9	40,3

PUMP TYPE SVIE Three-phase	MOTOR		e-SM SET		Q = DELIVERY								
	P <sub>N</sub> kW	TYPE 1x230 V	* P <sub>1</sub> kW	* I	* I	l/min 0	43,3	86,7	130,0	173,3	216,7	260,0	283,3
				208-240 V 380-460 V		m <sup>3</sup> /h 0	2,6	5,2	7,8	10,4	13,0	15,6	17,0
H = TOTAL HEAD IN METRES OF COLUMN OF WATER													
10SVIE02-02..007	0,75	ESM90R/307 SVIE	0,94	3,52	2,46	24,2	23,8	22,9	21,2	17,6	12,6	7,1	3,6
10SVIE02-02..011	1,1	ESM90R/311 SVIE	1,37	4,94	3,45	34,8	34,4	33,5	31,8	25,9	20,2	14,3	11,0
10SVIE03-03..015	1,5	ESM90R/315 SVIE	1,83	6,38	4,43	52,7	52,1	50,9	44,0	35,6	27,8	19,7	15,1
10SVIE04-04..022	2,2	ESM90R/322 SVIE	2,54	-	5,86	70,3	69,6	67,8	64,8	54,3	43,3	32,2	25,9

PUMP TYPE SVIE Three-phase	MOTOR		e-SM SET		Q = DELIVERY								
	P <sub>N</sub> kW	TYPE 1x230 V	* P <sub>1</sub> kW	* I	* I	l/min 0	70,0	140,0	210,0	280,0	350,0	420,0	483,3
				208-240 V 380-460 V		m <sup>3</sup> /h 0	4,2	8,4	12,6	16,8	21,0	25,2	29,0
H = TOTAL HEAD IN METRES OF COLUMN OF WATER													
15SVIE02-02..015	1,5	ESM90R/315 SVIE	1,76	7,71	4,34	29,6	29,1	28,3	26,8	22,2	16,4	10,1	3,8
15SVIE02-02..022	2,2	ESM90R/322 SVIE	2,54	-	5,87	42,7	42,0	41,1	39,7	33,4	26,8	20,1	13,5

PUMP TYPE SVIE Three-phase	MOTOR		e-SM SET		Q = DELIVERY								
	P <sub>N</sub> kW	TYPE 1x230 V	* P <sub>1</sub> kW	* I	* I	l/min 0	73,3	146,7	220,0	293,3	366,7	440,0	500,0
				208-240 V 380-460 V		m <sup>3</sup> /h 0	4,4	8,8	13,2	17,6	22,0	26,4	30,0
H = TOTAL HEAD IN METRES OF COLUMN OF WATER													
22SVIE02-02..015	1,5	ESM90R/315 SVIE	1,76	6,18	4,31	31,4	30,9	30,2	26,0	20,8	15,4	9,1	2,8
22SVIE02-02..022	2,2	ESM90R/322 SVIE	2,56	-	5,91	45,2	44,7	43,8	38,3	31,9	26,0	19,6	13,6

\* Maximum value in specified range: P<sub>1</sub> = input power; I = input current.

1-22svie-esm-2p50T-en\_a\_th

## e-SVIE SERIES ELECTRICAL DATA TABLE

In the range 3000-3600 rpm the nominal motor power is guaranteed. Above 3600 rpm it isn't possible work and the motor is automatically limited; below 3000 rpm it works partially load.

### SINGLE-PHASE VERSION

P <sub>N</sub> kW	MOTOR TYPE	IEC SIZE*	Construction Design	SPEED (RPM)** min <sup>-1</sup>	INPUT CURRENT I (A) 208-240 V	DATA RELATED TO THE VOLTAGE OF 230V							IES
						I <sub>n</sub> A	cosφ	T <sub>n</sub> Nm	η %				
									4/4	3/4	2/4		
0,37	ESM80/103 SVIEE	80	special	3000	2,28-1,99	2,08	0,95	1,18	81,3	79,1	74,3	2	
				3600	2,30-2,02	2,10		0,98	80,6	77,5	72,0		
0,37	ESM90R/103 SVIE	90R	V18/B14	3000	2,28-1,99	2,08	0,95	1,18	81,3	79,1	74,3	2	
				3600	2,30-2,02	2,10		0,98	80,6	77,5	72,0		
0,55	ESM80/105 SVIEE	80	special	3000	3,27-2,85	2,96	0,97	1,75	83,3	82,2	78,8	2	
				3600	3,27-2,85	2,96		1,46	83,3	81,5	77,5		
0,55	ESM90R/105 SVIE	90R	V18/B14	3000	3,27-2,85	2,96	0,97	1,75	83,3	82,2	78,8	2	
				3600	3,27-2,85	2,96		1,46	83,3	81,5	77,5		
0,75	ESM80/107 SVIEE	80	special	3000	4,43-3,84	4,00	0,98	2,39	83,3	83,3	81,5	2	
				3600	4,38-3,79	3,94		1,99	84,5	83,5	80,6		
0,75	ESM90R/107 SVIE	90R	V18/B14	3000	4,43-3,84	4,00	0,98	2,39	83,3	83,3	81,5	2	
				3600	4,38-3,79	3,94		1,99	84,5	83,5	80,6		
1,10	ESM80/111 SVIEE	80	special	3000	6,26-5,35	5,64	0,99	3,50	85,7	85,1	82,7	2	
				3600	6,20-5,32	5,63		2,92	85,9	84,6	81,4		
1,10	ESM90R/111 SVIE	90R	V18/B14	3000	6,26-5,35	5,64	0,99	3,50	85,7	85,1	82,7	2	
				3600	6,20-5,32	5,63		2,92	85,9	84,6	81,4		
1,50	ESM90R/115 SVIE	90R	V18/B14	3000	8,57-7,32	7,69	0,99	4,77	85,60	85,7	84,7	2	
				3600	8,42-7,25	7,62		3,98	86,3	85,9	84,0		

\* R = Reduced size of motor casing as compared to shaft extension and flange.

eSVI\_Smart-motm\_a\_te

\*\* The indicated rotational speed are representing the upper and lower limits of the rated power operational speed range.

### THREE-PHASE VERSION

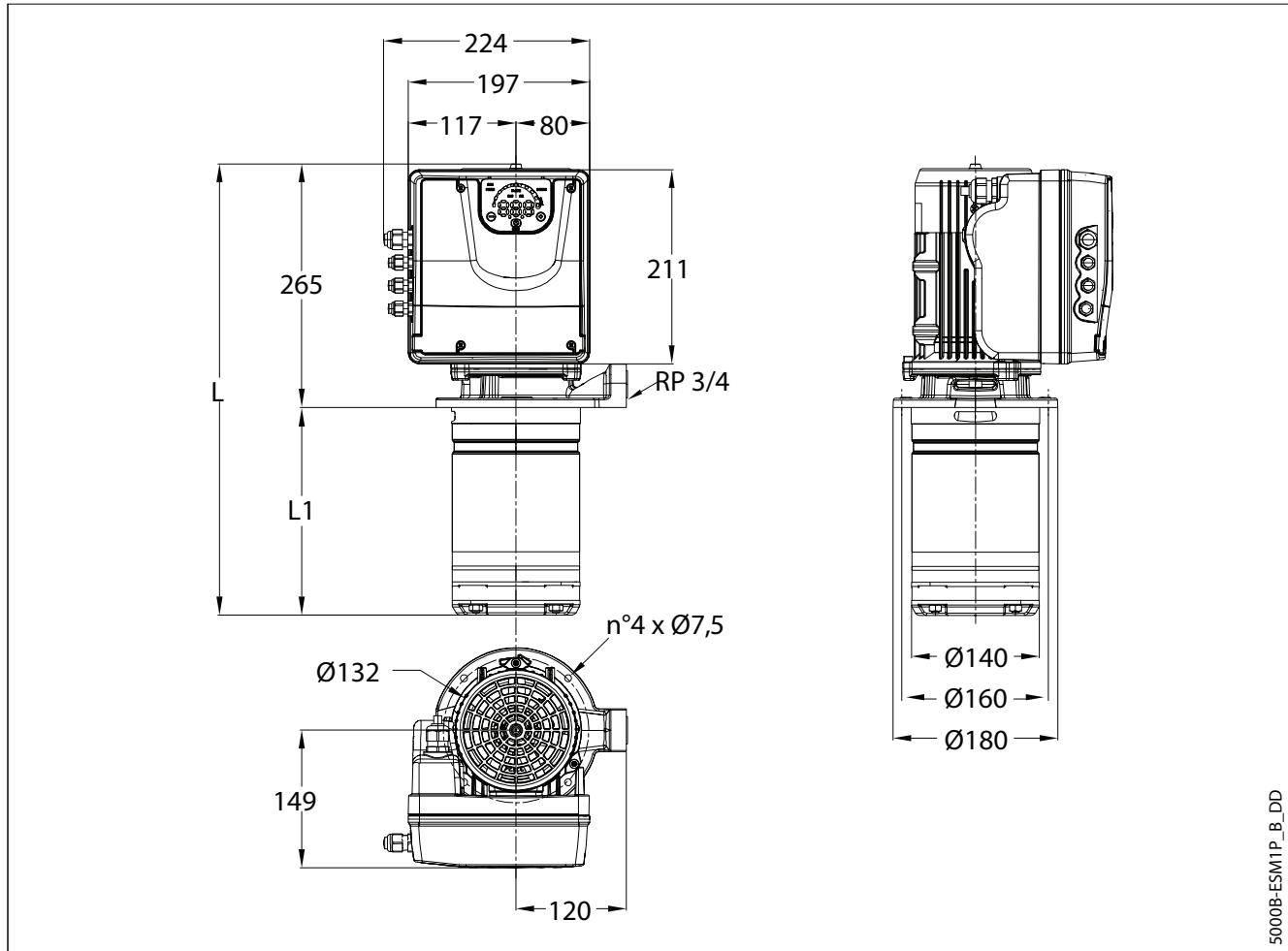
P <sub>N</sub> kW	MOTOR TYPE	IEC SIZE*	Construction Design	SPEED (RPM)** min <sup>-1</sup>	INPUT CURRENT I (A) 208-240/380-460 V	DATA RELATED TO THE VOLTAGE OF 400V							IES
						I <sub>n</sub> A	cosφ	T <sub>n</sub> Nm	η %				
									4/4	3/4	2/4		
0,37	ESM80/303 SVIEE	80	special	3000	2,01-1,85/1,41-1,28	1,42	0,48	1,18	78,6	75,6	70,1	2	
				3600	2,13-1,83/1,43-1,33	1,36		0,98	83,1	80,7	76,1		
0,37	ESM90R/303 SVIE	90R	V18/B14	3000	2,01-1,85/1,41-1,28	1,42	0,48	1,18	78,6	75,6	70,1	2	
				3600	2,13-1,83/1,43-1,33	1,36		0,98	83,1	80,7	76,1		
0,55	ESM80/305 SVIEE	80	special	3000	2,81-2,57/1,89-1,69	1,88	0,52	1,75	81,1	79,3	75,5	2	
				3600	2,90-2,52/1,90-1,73	1,80		1,46	85,4	83,8	80,6		
0,55	ESM90R/305 SVIE	90R	V18/B14	3000	2,81-2,57/1,89-1,69	1,88	0,52	1,75	81,1	79,3	75,5	2	
				3600	2,90-2,52/1,90-1,73	1,80		1,46	85,4	83,8	80,6		
0,75	ESM80/307 SVIEE	80	special	3000	3,70-3,37/2,44-2,17	2,41	0,55	2,39	81,9	81,2	78,6	2	
				3600	3,74-3,28/2,43-2,20	2,31		1,99	86,1	85,5	83,1		
0,75	ESM90R/307 SVIE	90R	V18/B14	3000	3,70-3,37/2,44-2,17	2,41	0,55	2,39	81,9	81,2	78,6	2	
				3600	3,74-3,28/2,43-2,20	2,31		1,99	86,1	85,5	83,1		
1,10	ESM80/311 SVIEE	80	special	3000	5,12-4,73/3,41-3,01	3,35	0,57	3,50	82,8	81,3	77,7	2	
				3600	5,15-4,69/3,45-3,06	3,32		2,92	83,5	81,6	77,6		
1,10	ESM90R/311 SVIE	90R	V18/B14	3000	5,12-4,73/3,41-3,01	3,35	0,57	3,50	82,8	81,3	77,7	2	
				3600	5,15-4,69/3,45-3,06	3,32		2,92	83,5	81,6	77,6		
1,50	ESM90R/315 SVIE	90R	V18/B14	3000	6,73-6,17/4,49-3,95	4,39	0,59	4,77	83,1	82,8	80,6	2	
				3600	6,69-6,08/4,48-3,97	4,32		3,98	84,6	83,6	80,8		
2,20	ESM90R/322 SVIE	90R	V18/B14	3000	-/6,03-5,32	5,81	0,62	7,00	87,6	87,4	85,9	2	
				3600	-/5,93-5,24	5,74		5,84	88,9	88,2	86,3		

\* R = Reduced size of motor casing as compared to shaft extension and flange.

eSVI\_Smart-mott\_en\_a\_te

\*\* The indicated rotational speed are representing the upper and lower limits of the rated power operational speed range.

### 1, 3, 5SVIE..E SERIES, SINGLE-PHASE VERSION DIMENSIONS AND WEIGHTS



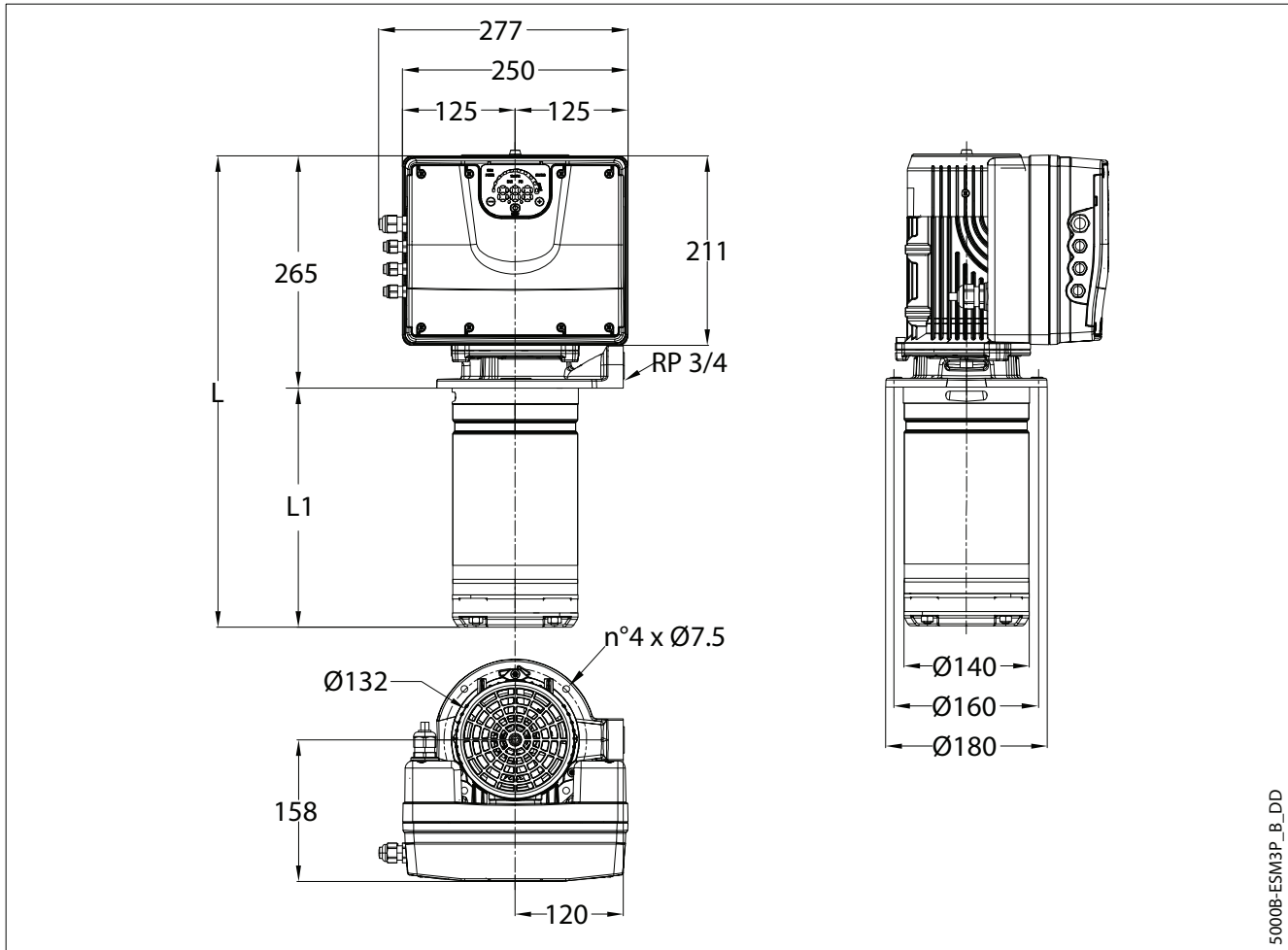
5000B-ESM1P\_B\_DD

PUMP TYPE	MOTOR		DIMENSIONS (mm)		WEIGHT (kg)	
	kW	SIZE	L	L1	PUMP	ELECTRIC PUMP
1SVIE05-05E..003	0,37	80	451	186	3	15
1SVIE08-08E..005	0,55	80	511	246	4	16
1SVIE11-11E..007	0,75	80	571	306	5	18
1SVIE15-15E..011	1,10	80	651	386	6	19
3SVIE03-03E..003	0,37	80	411	146	6	18
3SVIE05-05E..005	0,55	80	451	186	8	21
3SVIE07-07E..007	0,75	80	491	226	9	22
3SVIE09-09E..011	1,10	80	531	266	10	23
5SVIE02-02E..003	0,37	80	406	141	6	17
5SVIE03-03E..005	0,55	80	431	166	6	18
5SVIE04-04E..007	0,75	80	456	191	7	21
5SVIE06-06E..011	1,10	80	506	241	9	22

All listed dimensions are with inducer.

1-5svie-e\_1ph-en\_a\_td

### 1, 3, 5SVIE..E SERIES, THREE-PHASE VERSION DIMENSIONS AND WEIGHTS

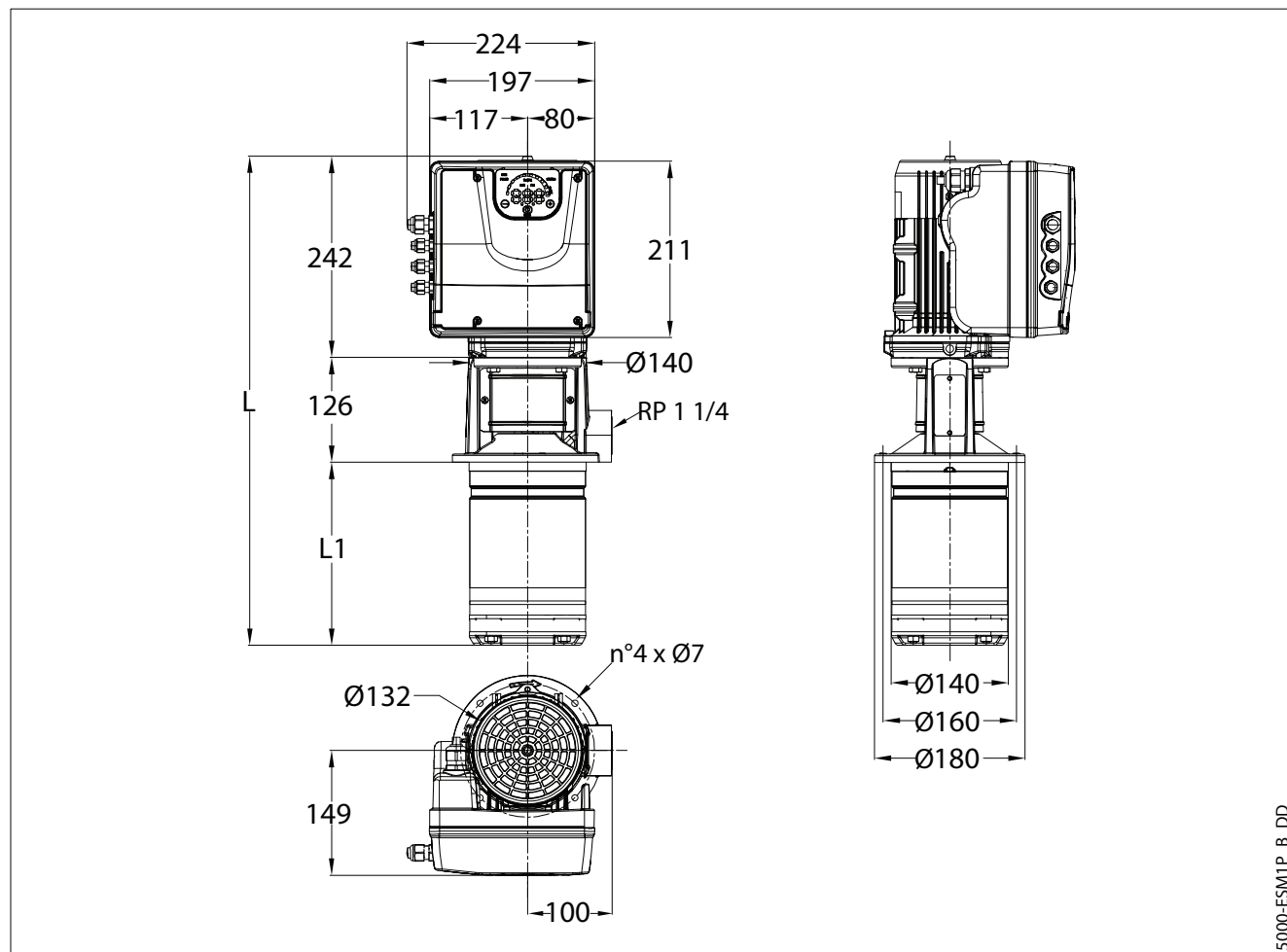


PUMP TYPE	MOTOR		DIMENSIONS (mm)		WEIGHT (kg)	
	kW	SIZE	L	L1	PUMP	ELECTRIC PUMP
1SVIE05-05E..003	0,37	80	451	186	3	21
1SVIE08-08E..005	0,55	80	511	246	4	22
1SVIE11-11E..007	0,75	80	571	306	5	24
1SVIE15-15E..011	1,10	80	651	386	6	25
3SVIE03-03E..003	0,37	80	411	146	6	24
3SVIE05-05E..005	0,55	80	451	186	8	26
3SVIE07-07E..007	0,75	80	491	226	9	28
3SVIE09-09E..011	1,10	80	531	266	10	29
5SVIE02-02E..003	0,37	80	406	141	6	23
5SVIE03-03E..005	0,55	80	431	166	6	24
5SVIE04-04E..007	0,75	80	456	191	7	26
5SVIE06-06E..011	1,10	80	506	241	9	28

All listed dimensions are with inducer.

1-5svie-e\_3ph-en\_a\_td

### 1, 3, 5 SVIE..C - 1, 3, 5 SVIE..M SERIES, SINGLE-PHASE VERSION DIMENSIONS AND WEIGHTS



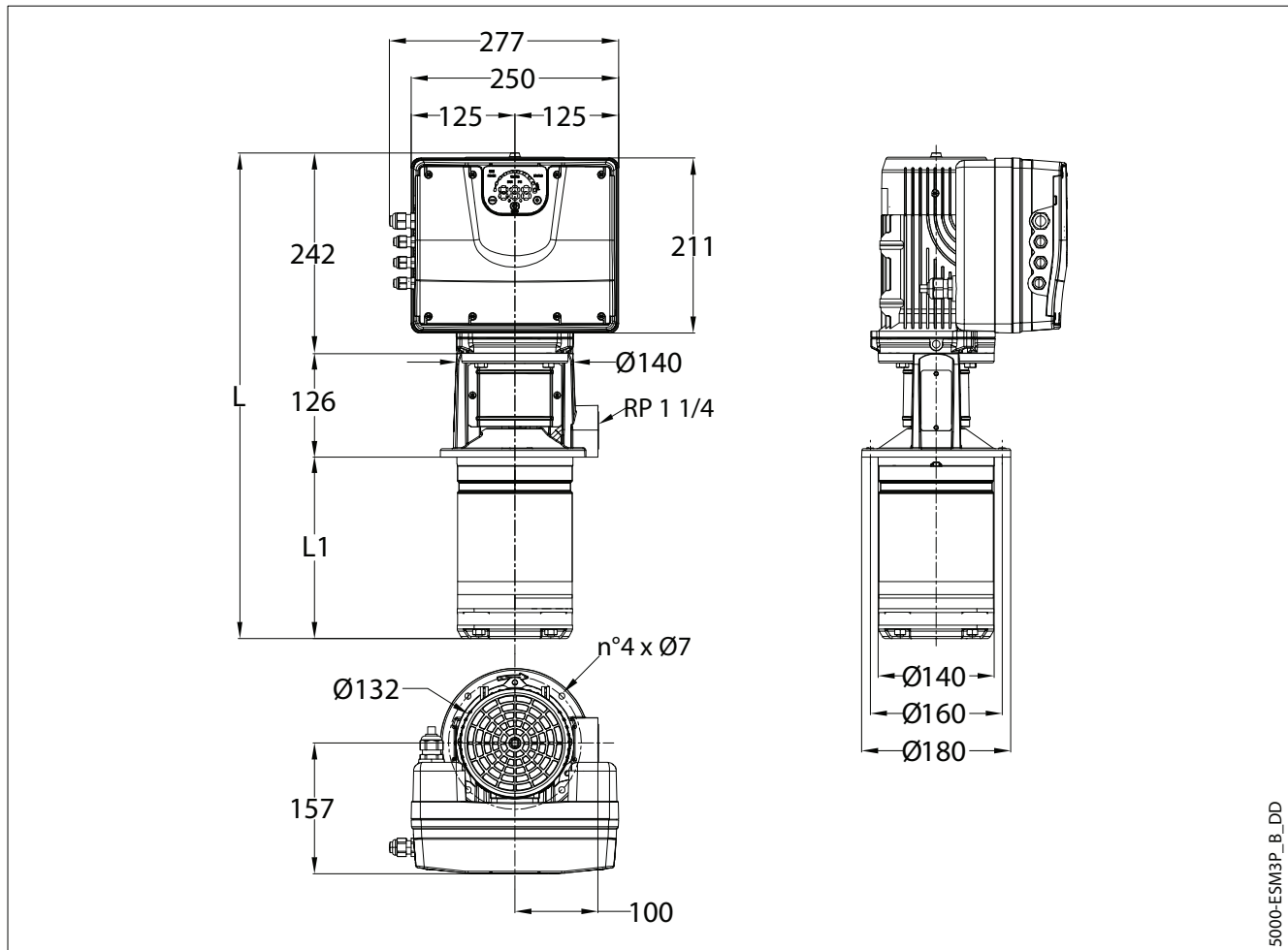
PUMP TYPE	MOTOR		DIMENSIONS (mm)		WEIGHT (kg)	
	kW	SIZE	L	L1	PUMP	ELECTRIC PUMP
1SVIE05-05..003	0,37	90R	547	179	8	16
1SVIE08-08..005	0,55	90R	607	239	9	17
1SVIE11-11..007	0,75	90R	667	299	11	18
1SVIE15-15..011	1,10	90R	747	379	12	21
1SVIE20-20..015	1,50	90R	847	479	14	23
3SVIE03-03..003	0,37	90R	507	139	8	15
3SVIE05-05..005	0,55	90R	547	179	8	16
3SVIE07-07..007	0,75	90R	587	219	9	17
3SVIE09-09..011	1,10	90R	627	259	10	19
3SVIE11-11..015	1,50	90R	667	299	11	20
5SVIE02-02..003	0,37	90R	502	134	7	15
5SVIE03-03..005	0,55	90R	527	159	8	15
5SVIE04-04..007	0,75	90R	552	184	8	16
5SVIE06-06..011	1,10	90R	602	234	9	18
5SVIE08-08..015	1,50	90R	652	284	10	19

All listed dimensions are with inducer.

1-5svie\_1ph-en\_b\_td



### 1, 3, 5 SVIE..C - 1, 3, 5 SVIE..M SERIES, SINGLE-PHASE VERSION DIMENSIONS AND WEIGHTS



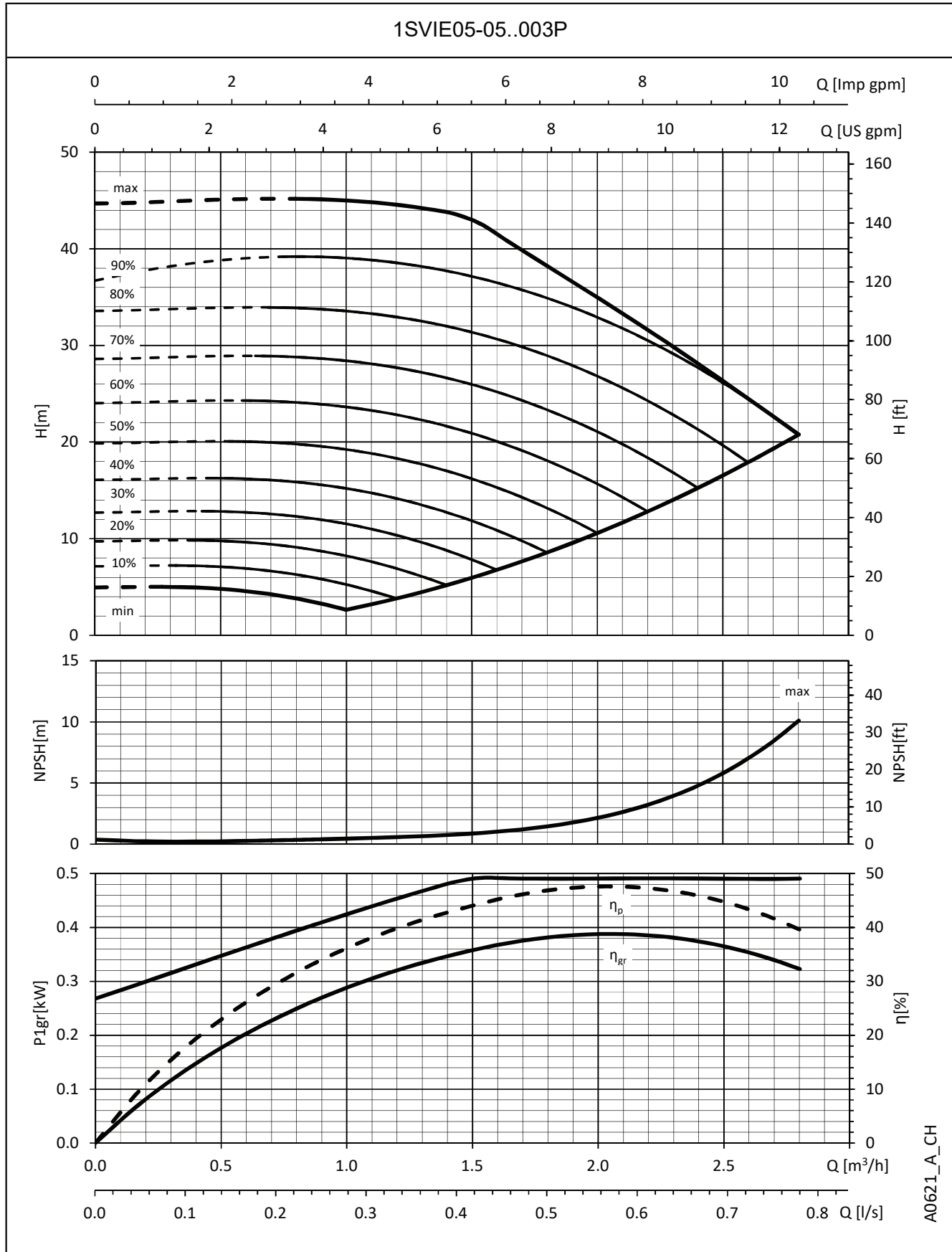
5000-ESM3P\_B\_DD

PUMP TYPE	MOTOR		DIMENSIONS (mm)		WEIGHT (kg)	
	THREE-PHASE	kW	SIZE	L	L1	PUMP
1SVIE05-05..003	0,37	90R	547	179	8	21
1SVIE08-08..005	0,55	90R	607	239	9	23
1SVIE11-11..007	0,75	90R	667	299	11	24
1SVIE15-15..011	1,10	90R	747	379	12	27
1SVIE20-20..015	1,50	90R	847	479	14	29
1SVIE26-26..022	2,20	90R	967	599	16	31
3SVIE03-03..003	0,37	90R	507	139	8	21
3SVIE05-05..005	0,55	90R	547	179	8	21
3SVIE07-07..007	0,75	90R	587	219	9	22
3SVIE09-09..011	1,10	90R	627	259	10	24
3SVIE11-11..015	1,50	90R	667	299	11	25
3SVIE17-17..022	2,20	90R	787	419	13	28
5SVIE02-02..003	0,37	90R	502	134	7	21
5SVIE03-03..005	0,55	90R	527	159	8	21
5SVIE04-04..007	0,75	90R	552	184	8	21
5SVIE06-06..011	1,10	90R	602	234	9	24
5SVIE08-08..015	1,50	90R	652	284	10	25
5SVIE12-12..022	2,20	90R	752	384	12	26

All listed dimensions are with inducer.

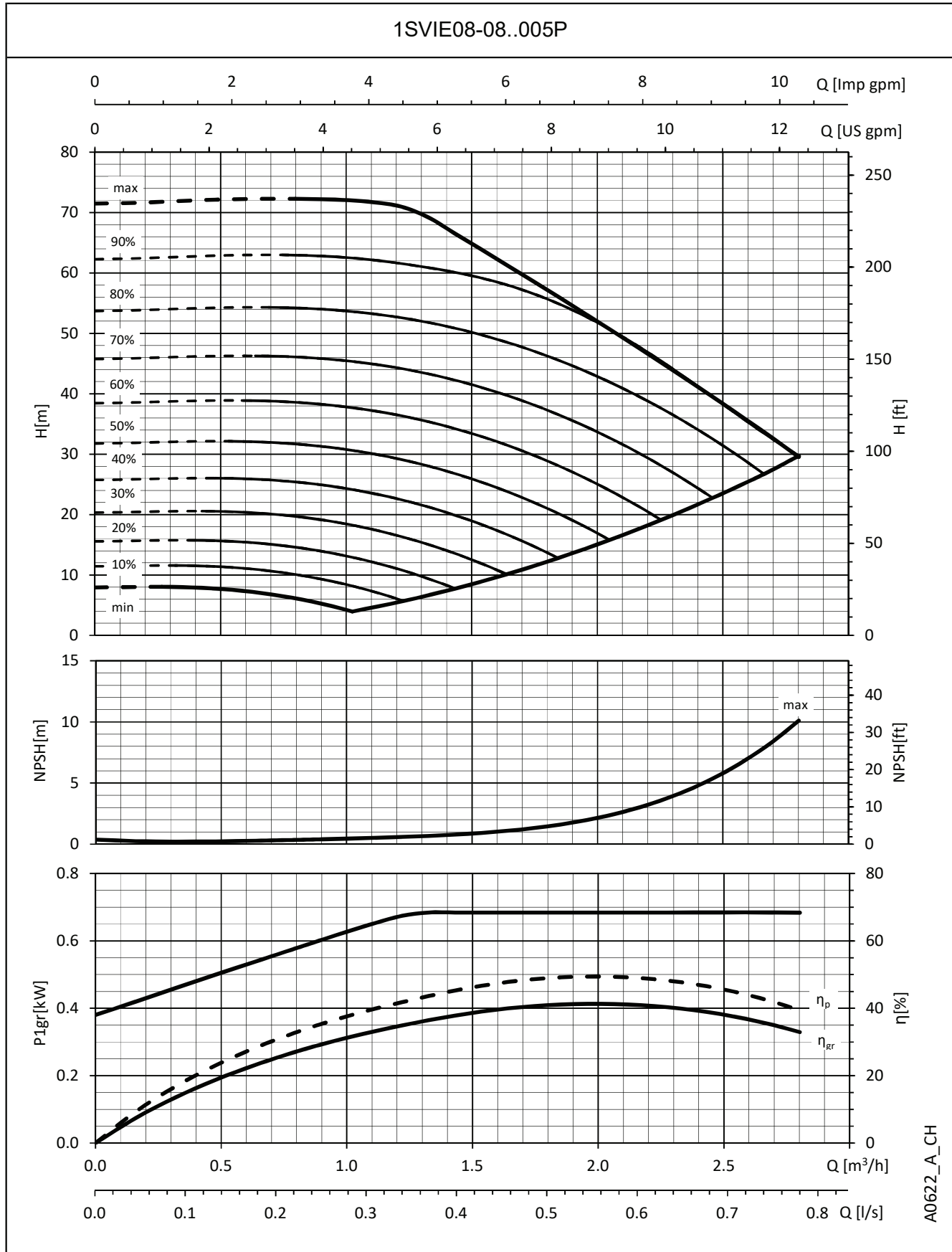
1-5svie\_3ph-en\_b\_td

**1SVIE SERIES  
OPERATING CHARACTERISTICS**



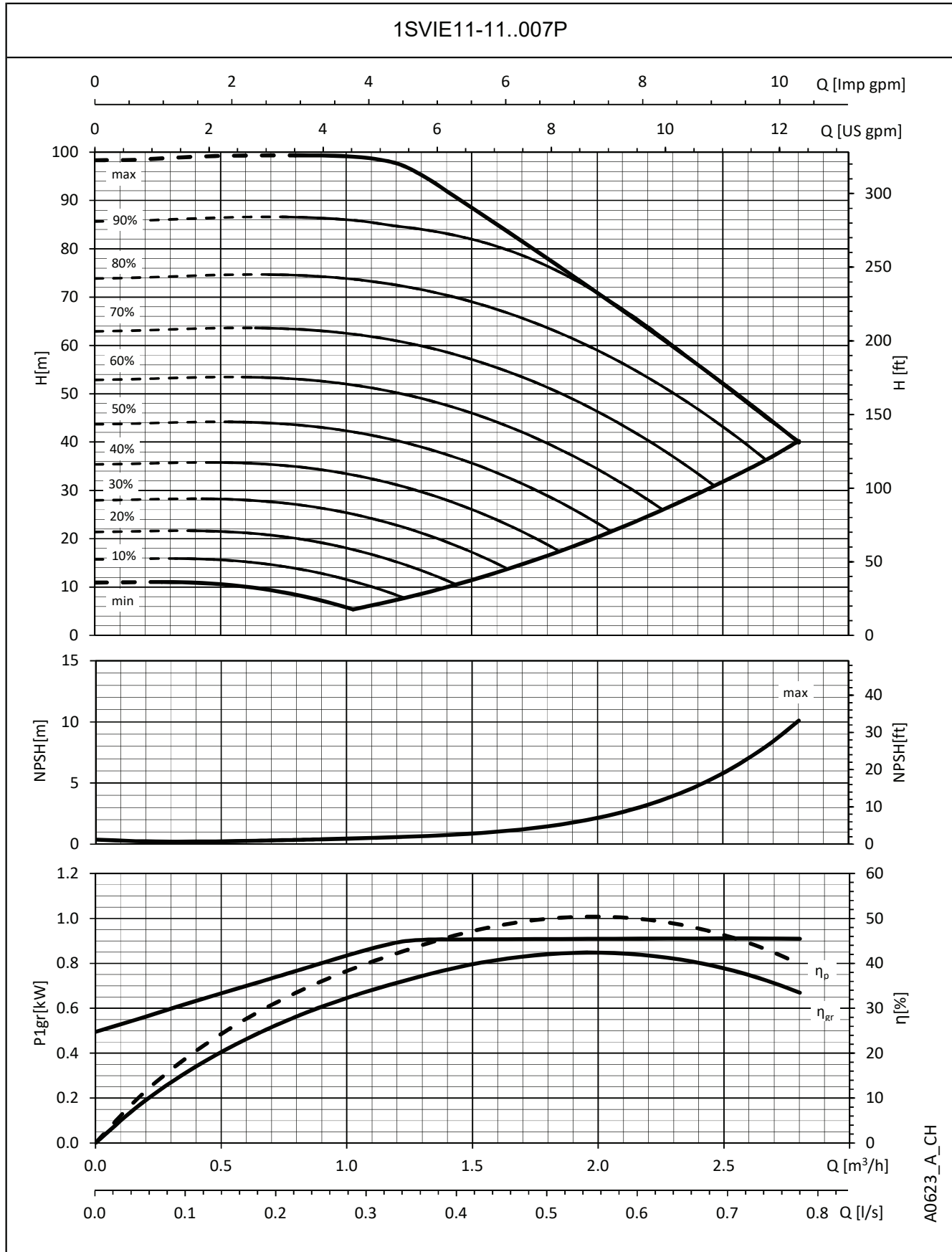
The performances are valid for liquid with density  $\rho = 1.0 \text{ Kg/dm}^3$  and kinematic viscosity  $\nu = 1 \text{ mm}^2/\text{sec}$ .

**1SVIE SERIES  
OPERATING CHARACTERISTICS**



The performances are valid for liquid with density  $\rho = 1.0 \text{ Kg/dm}^3$  and kinematic viscosity  $\nu = 1 \text{ mm}^2/\text{sec}$ .

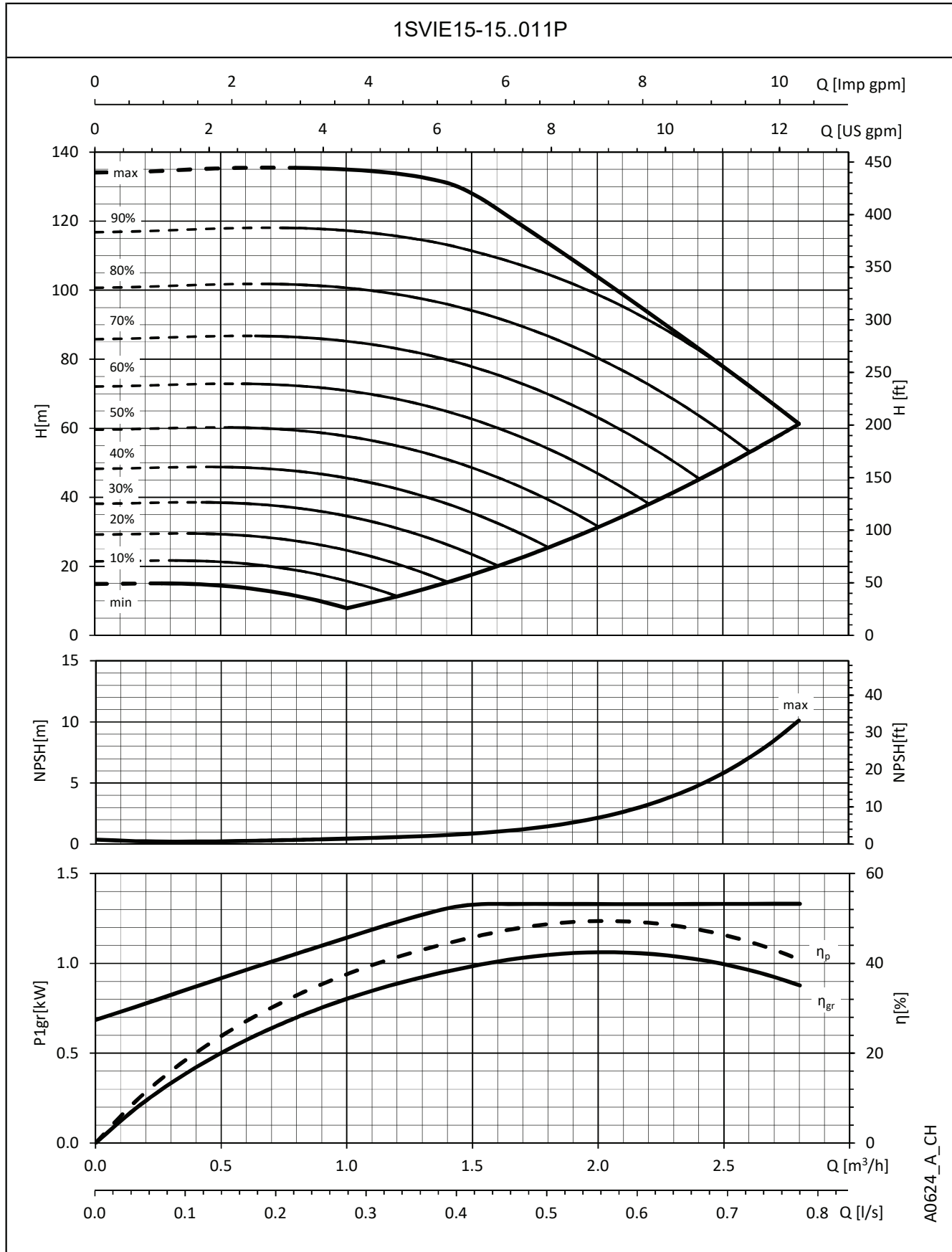
**1SVIE SERIES  
OPERATING CHARACTERISTICS**



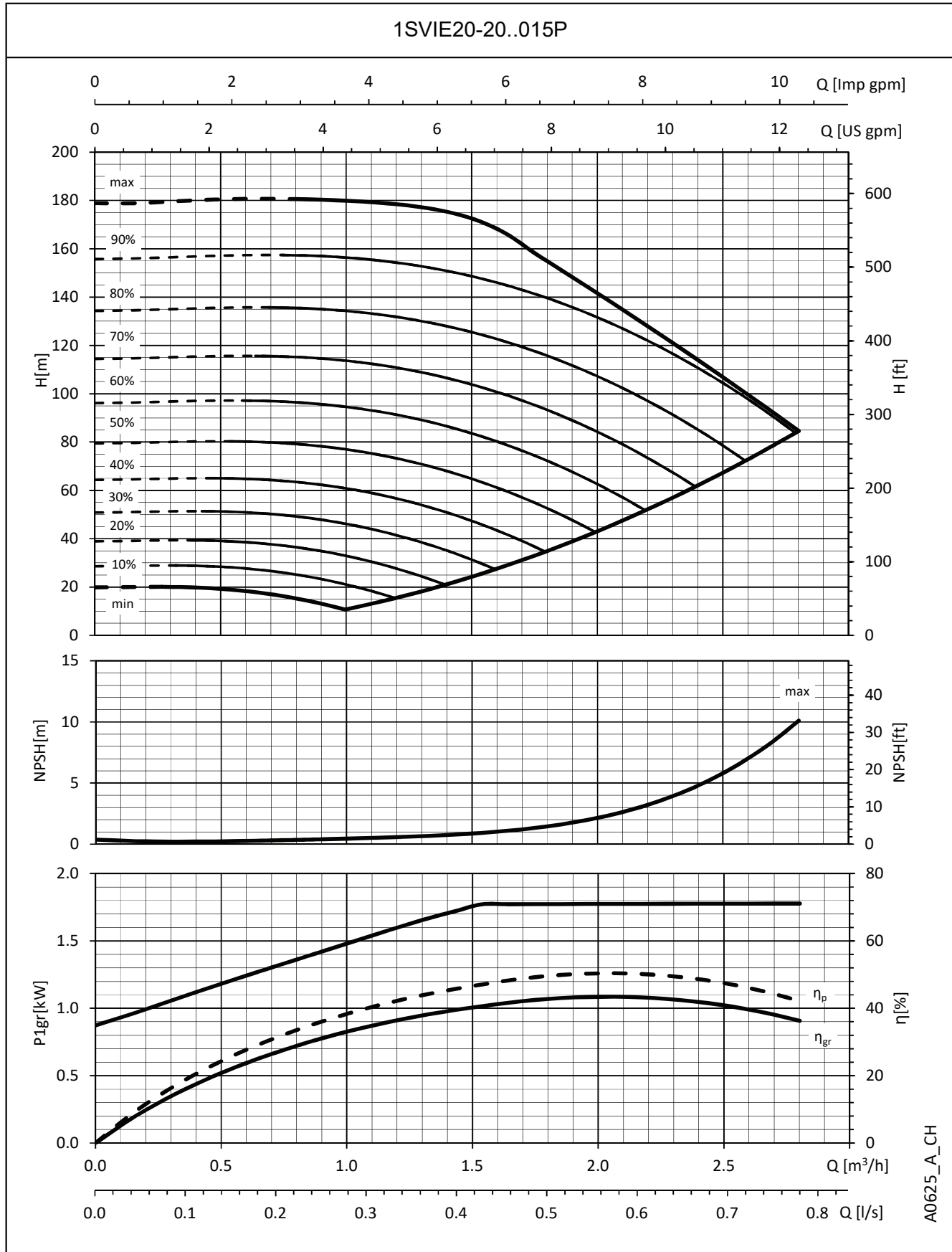
A0623\_A\_CH

The performances are valid for liquid with density  $\rho = 1.0 \text{ Kg/dm}^3$  and kinematic viscosity  $\nu = 1 \text{ mm}^2/\text{sec}$ .

**1SVIE SERIES  
OPERATING CHARACTERISTICS**

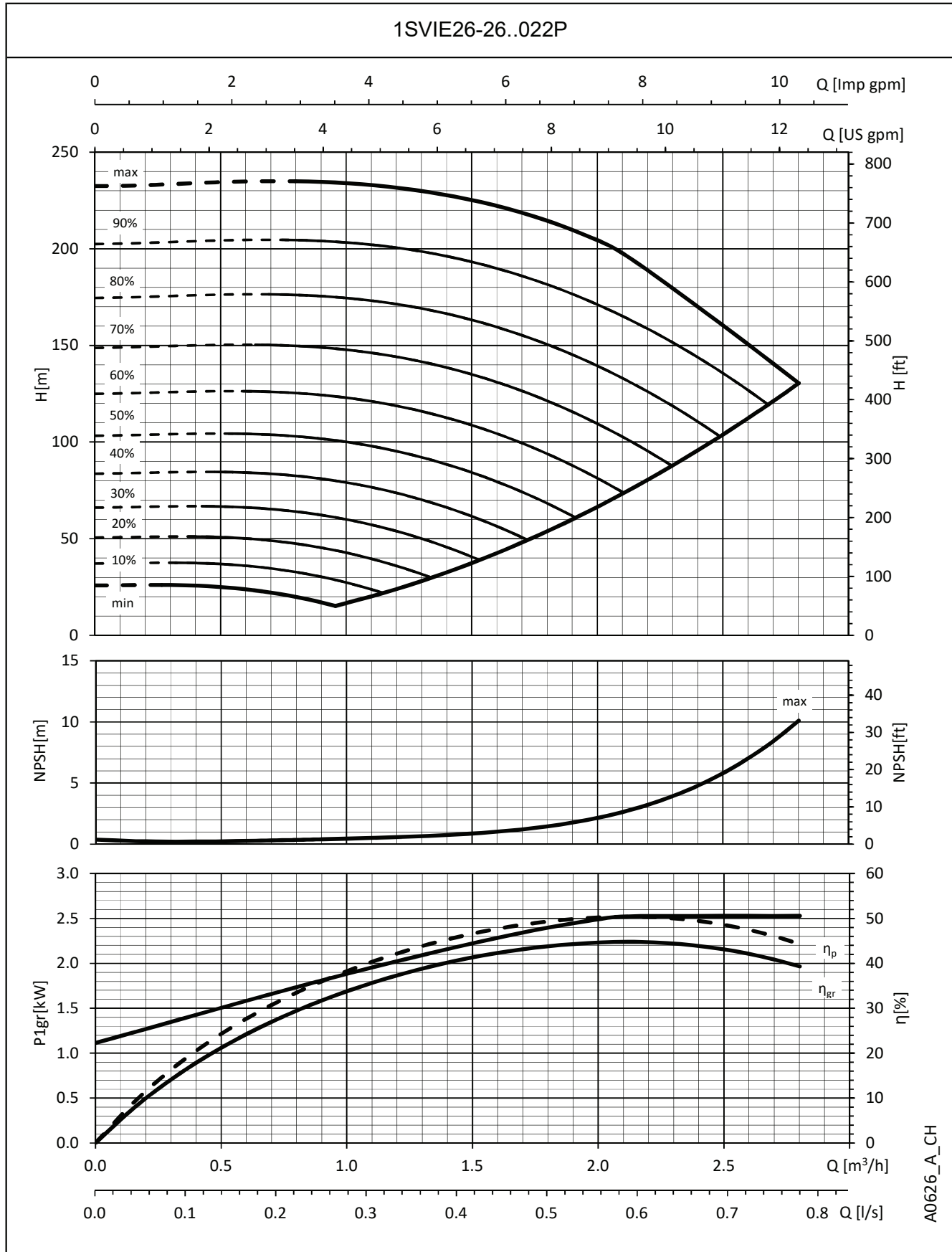


The performances are valid for liquid with density  $\rho = 1.0 \text{ Kg/dm}^3$  and kinematic viscosity  $\nu = 1 \text{ mm}^2/\text{sec}$ .

**1SVIE SERIES  
OPERATING CHARACTERISTICS**


A0625\_A\_CH

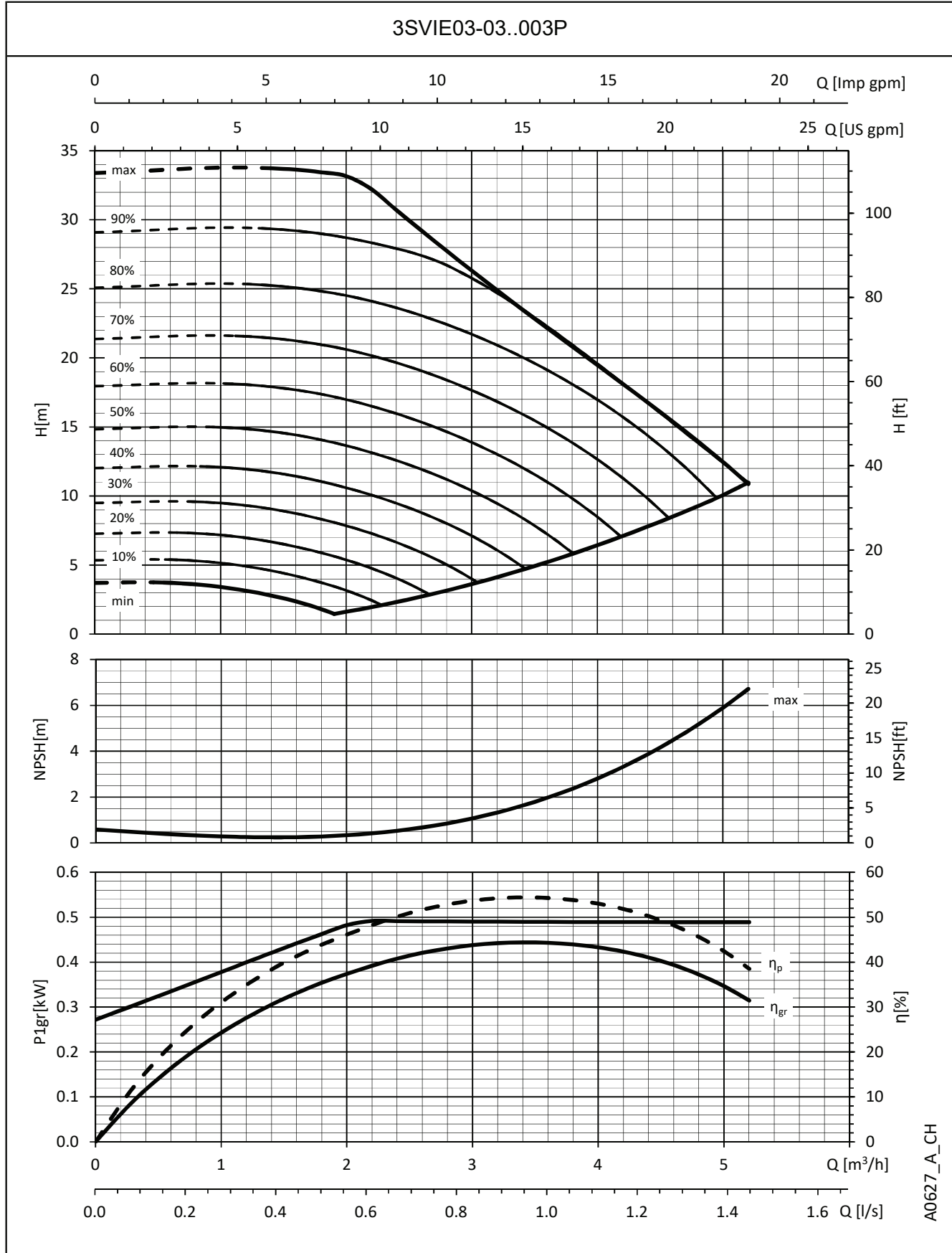
 The performances are valid for liquid with density  $\rho = 1.0 \text{ Kg/dm}^3$  and kinematic viscosity  $\nu = 1 \text{ mm}^2/\text{sec}$ .

**1SVIE SERIES  
OPERATING CHARACTERISTICS**


A0626\_A\_CH

 The performances are valid for liquid with density  $\rho = 1.0 \text{ Kg/dm}^3$  and kinematic viscosity  $\nu = 1 \text{ mm}^2/\text{sec}$ .

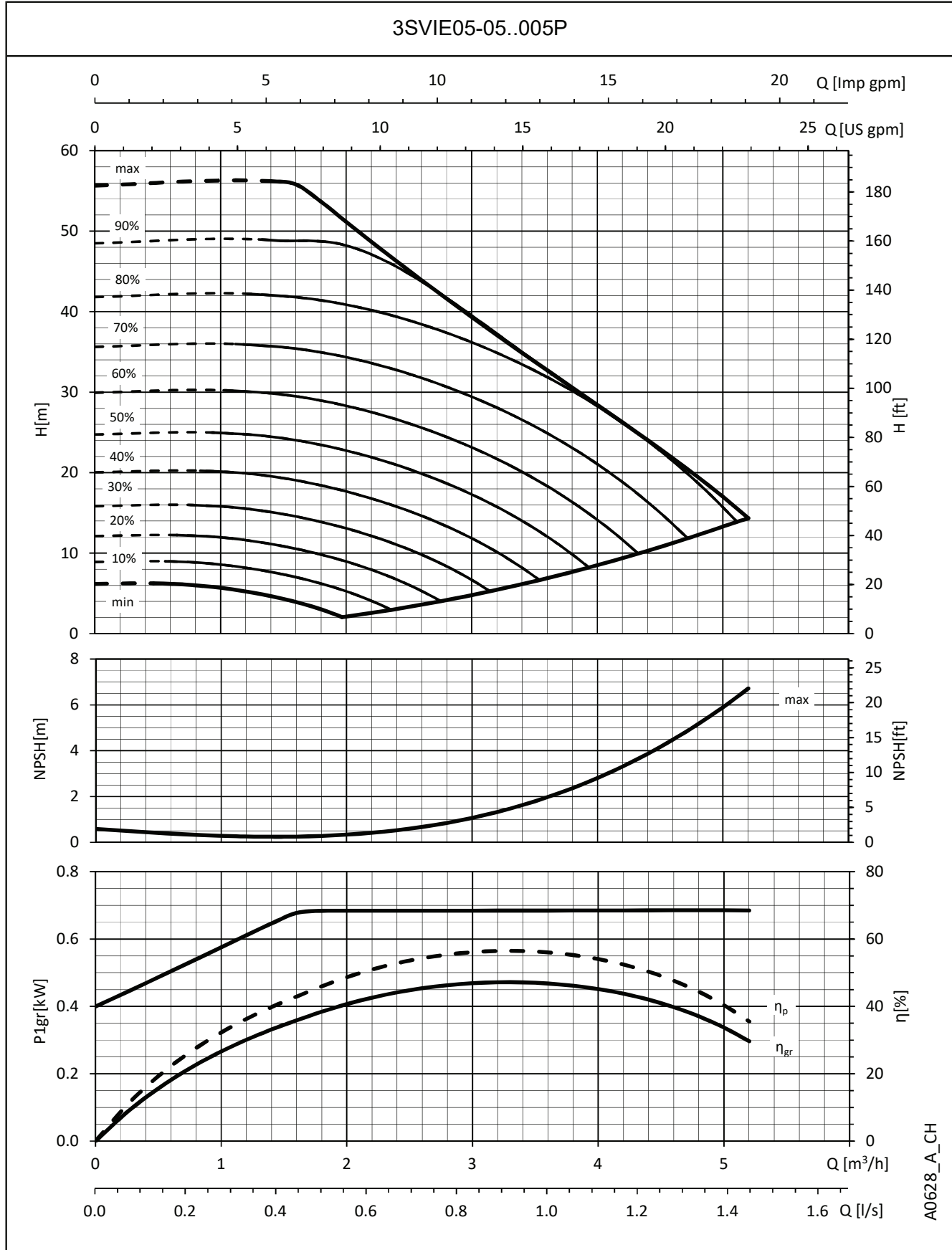
**3SVIE SERIES  
OPERATING CHARACTERISTICS**



The performances are valid for liquid with density  $\rho = 1.0 \text{ Kg/dm}^3$  and kinematic viscosity  $\nu = 1 \text{ mm}^2/\text{sec}$ .

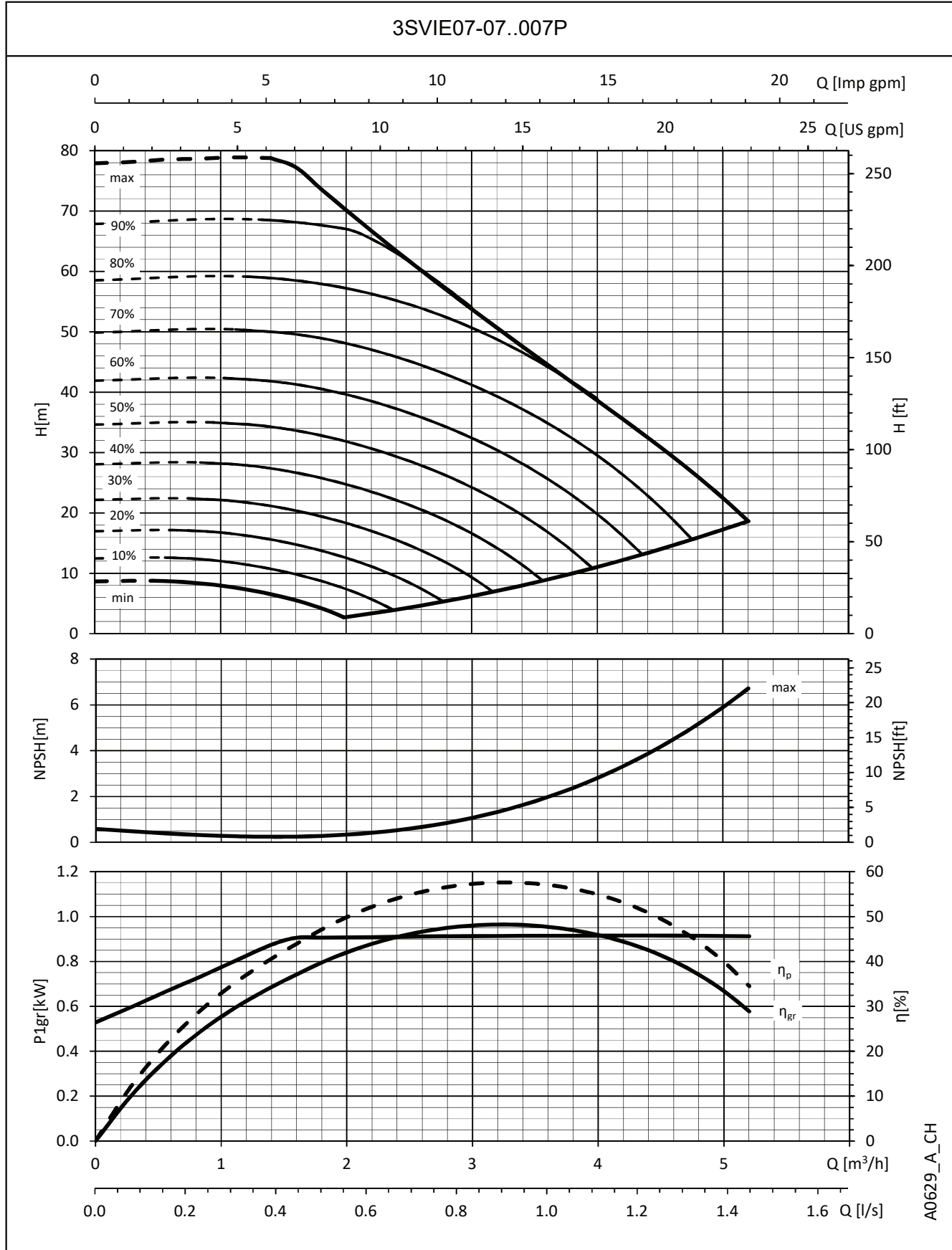


**3SVIE SERIES  
OPERATING CHARACTERISTICS**



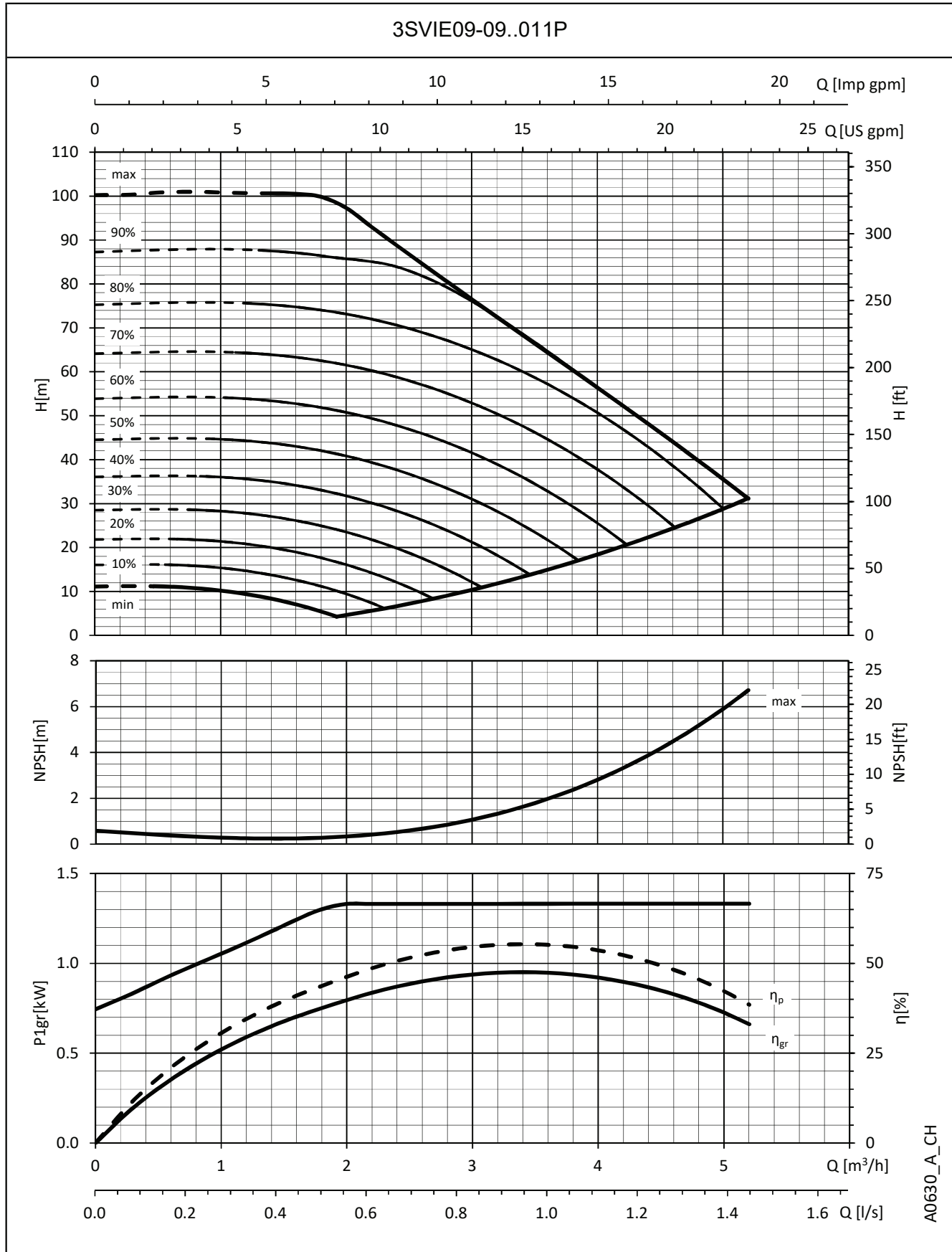
The performances are valid for liquid with density  $\rho = 1.0 \text{ Kg/dm}^3$  and kinematic viscosity  $\nu = 1 \text{ mm}^2/\text{sec}$ .

**3SVIE SERIES  
OPERATING CHARACTERISTICS**



The performances are valid for liquid with density  $\rho = 1.0 \text{ Kg/dm}^3$  and kinematic viscosity  $\nu = 1 \text{ mm}^2/\text{sec}$ .

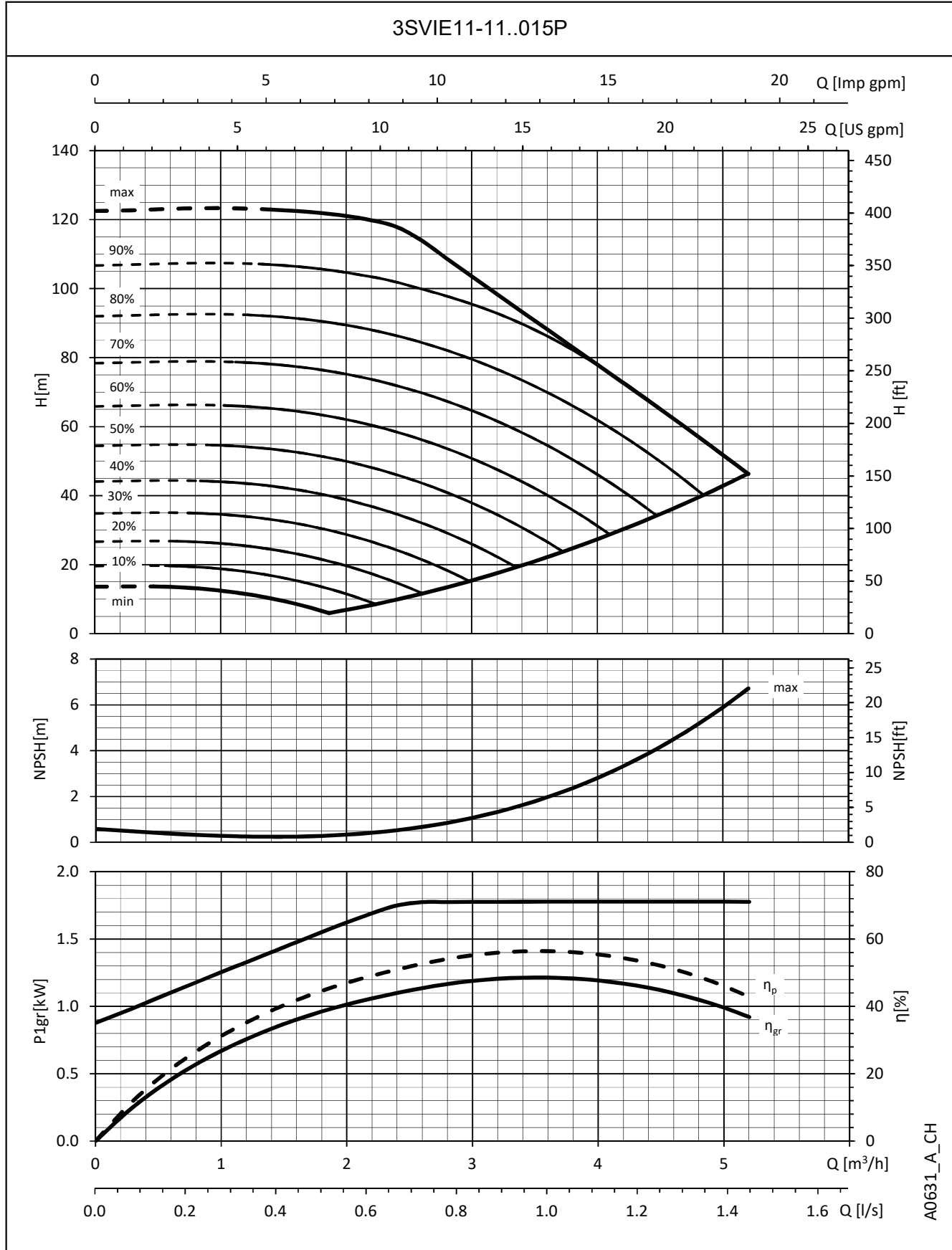
### 3SVIE SERIES OPERATING CHARACTERISTICS



A0630\_A\_CH

The performances are valid for liquid with density  $\rho = 1.0 \text{ Kg/dm}^3$  and kinematic viscosity  $\nu = 1 \text{ mm}^2/\text{sec}$ .

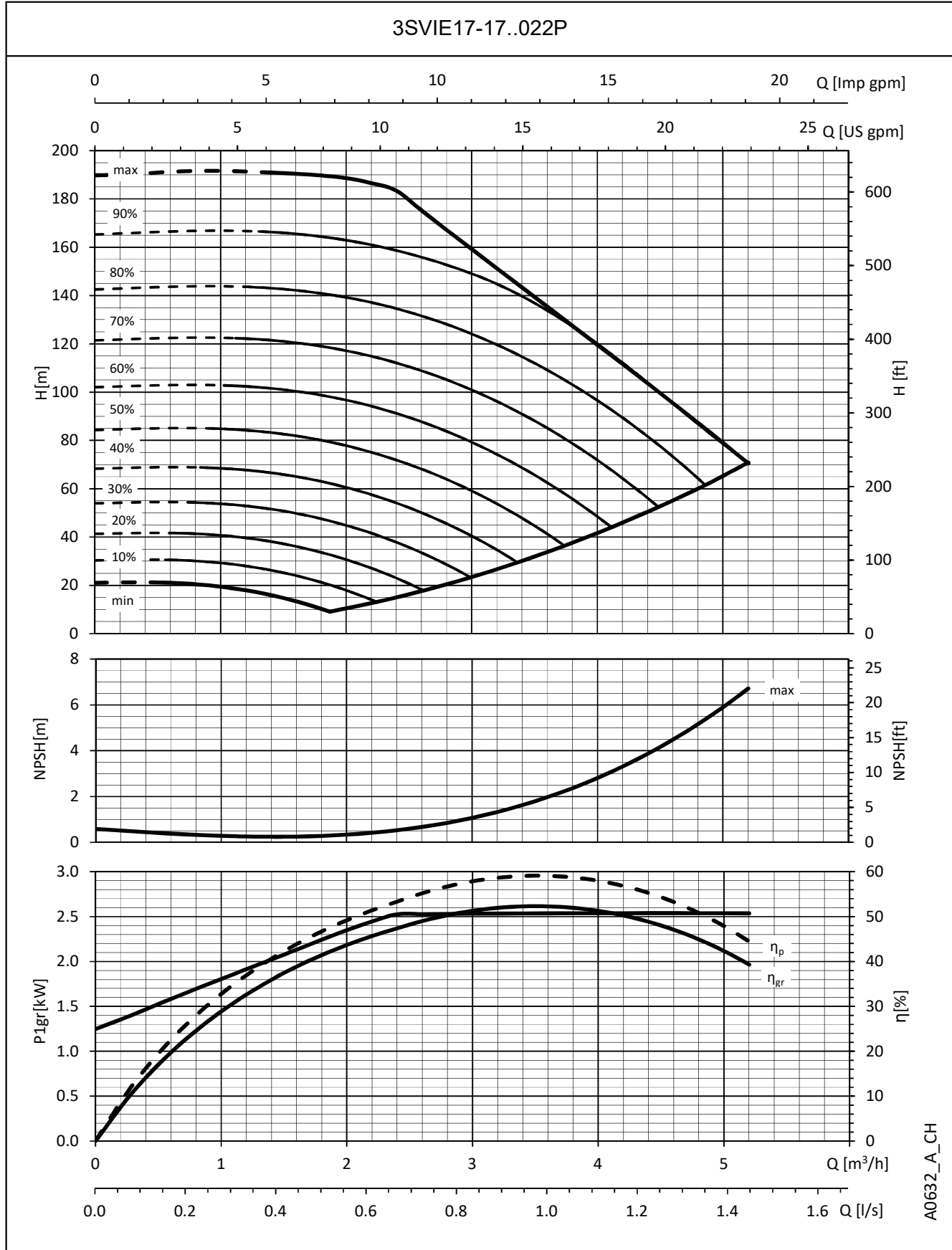
**3SVIE SERIES  
OPERATING CHARACTERISTICS**



A0631\_A\_CH

The performances are valid for liquid with density  $\rho = 1.0 \text{ Kg/dm}^3$  and kinematic viscosity  $\nu = 1 \text{ mm}^2/\text{sec}$ .

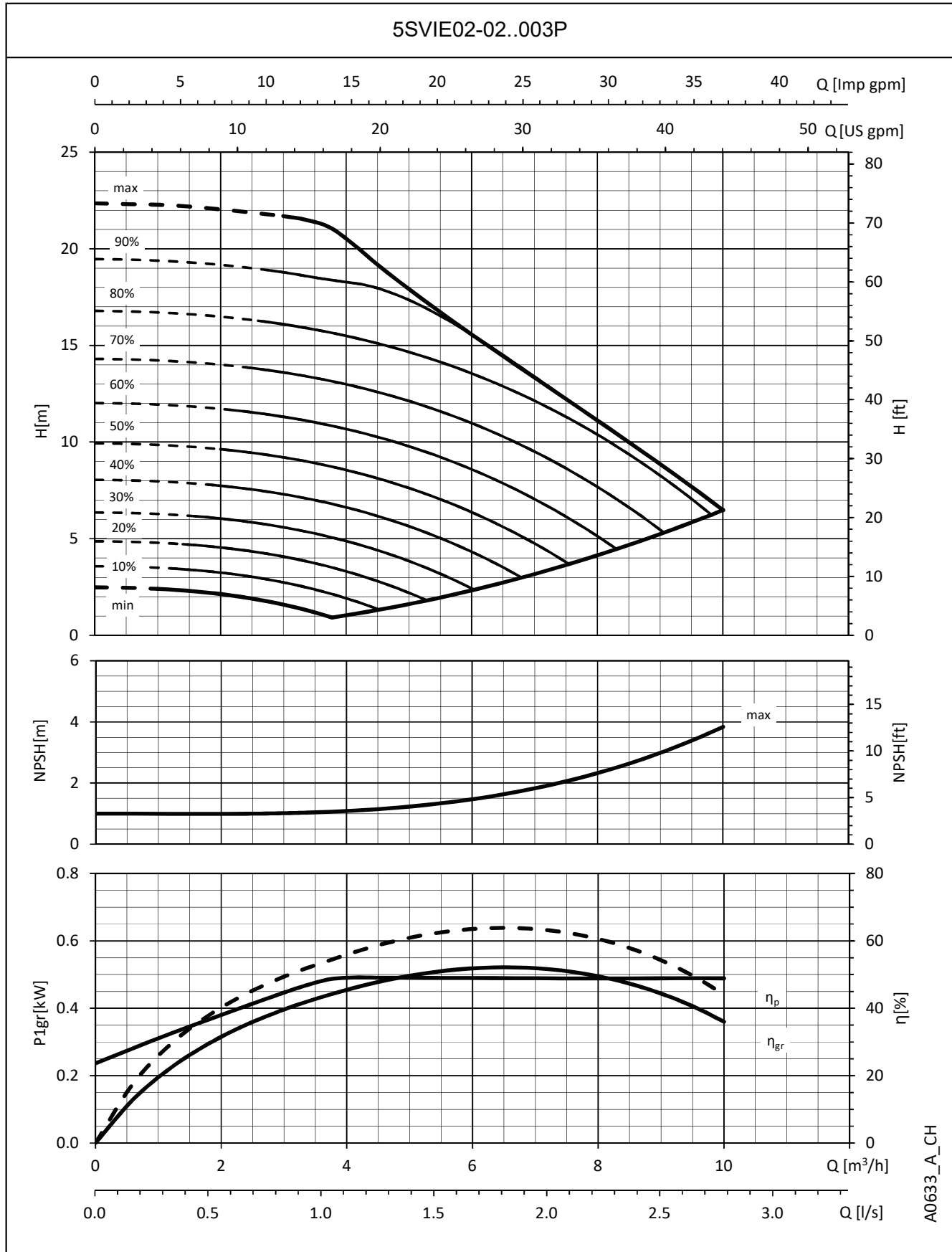
**3SVIE SERIES  
OPERATING CHARACTERISTICS**



A0632\_A\_CH

The performances are valid for liquid with density  $\rho = 1.0 \text{ Kg/dm}^3$  and kinematic viscosity  $\nu = 1 \text{ mm}^2/\text{sec}$ .

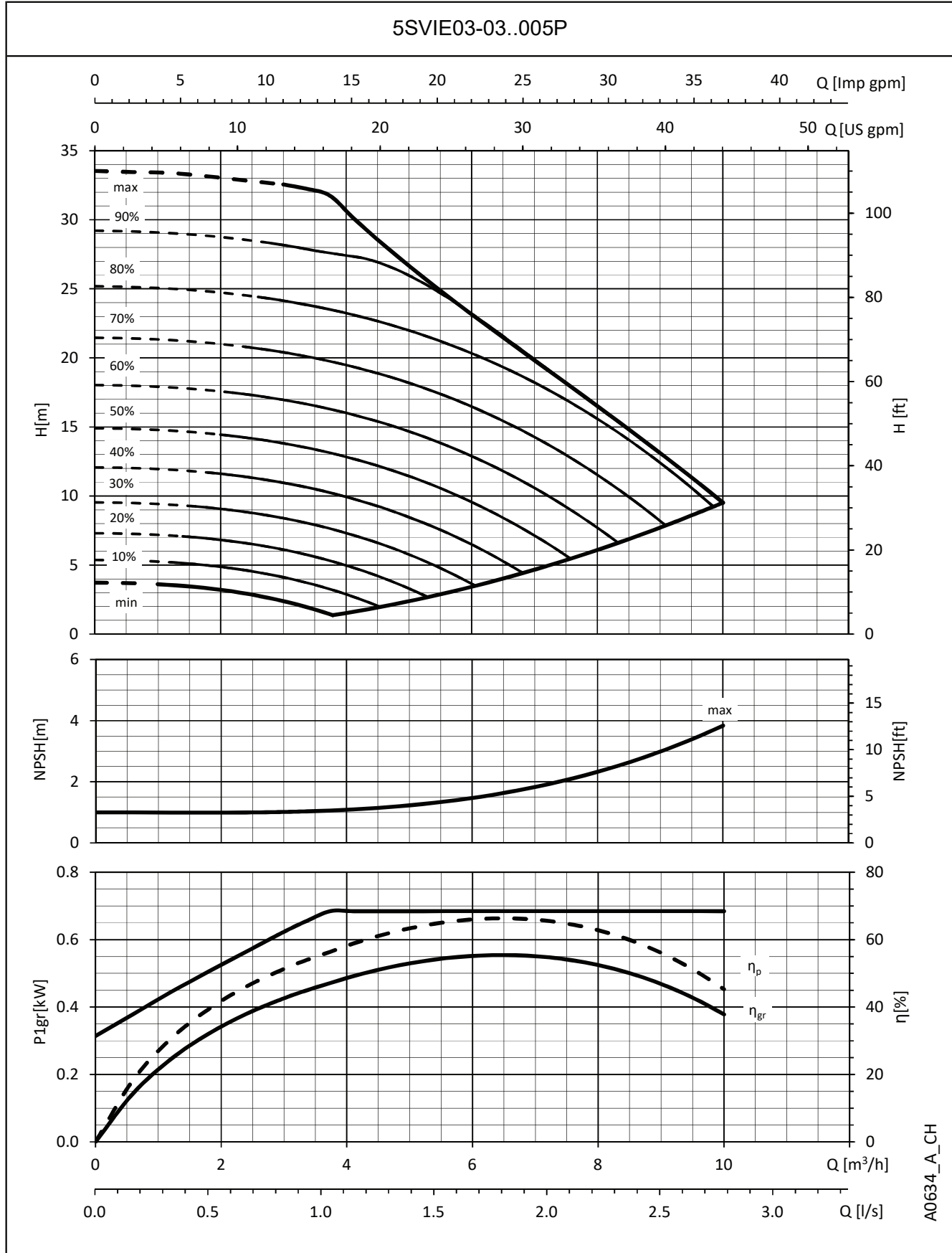
**5SVIE SERIES  
OPERATING CHARACTERISTICS**



A0633\_A\_CH

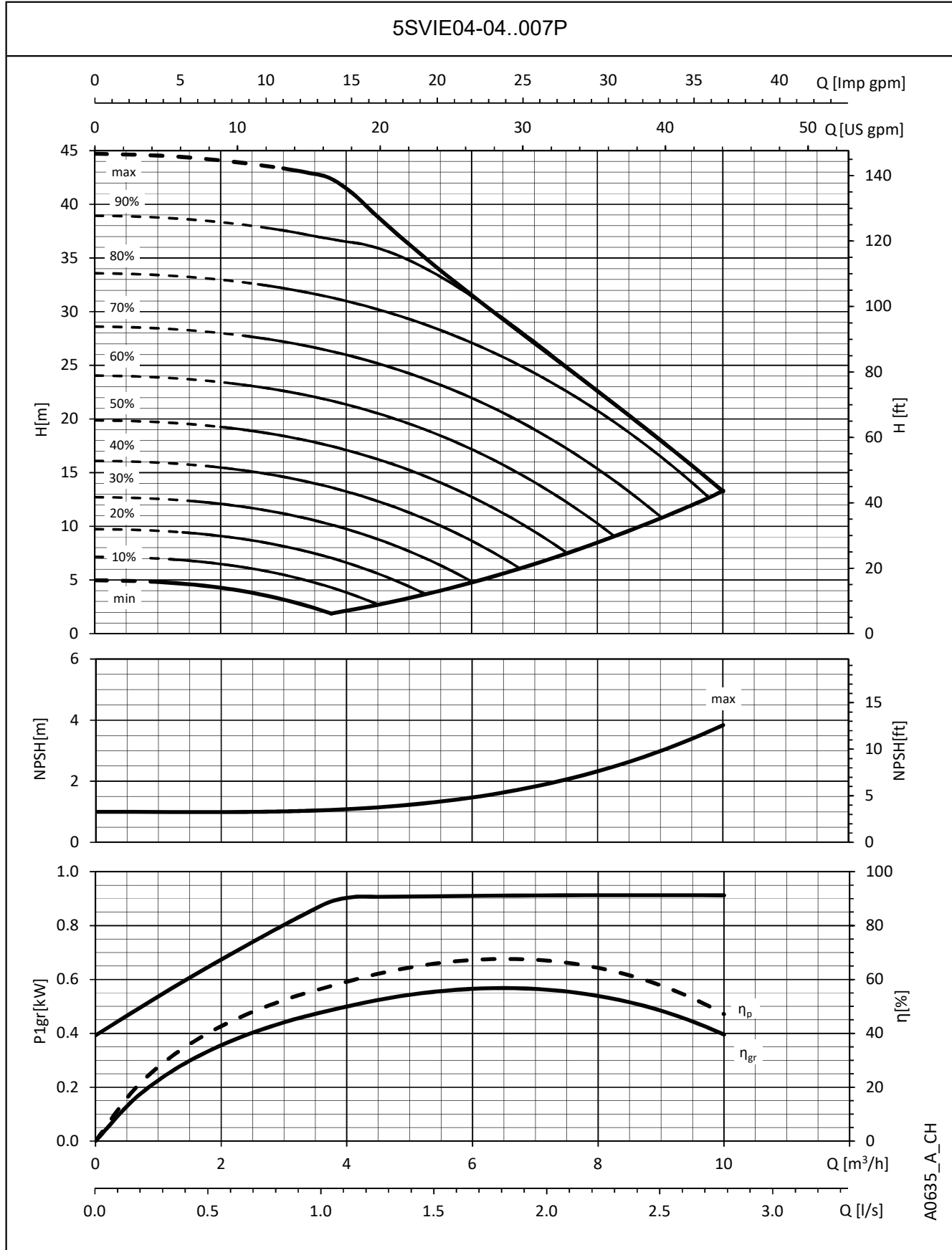
The performances are valid for liquid with density  $\rho = 1.0 \text{ Kg/dm}^3$  and kinematic viscosity  $\nu = 1 \text{ mm}^2/\text{sec}$ .

**5SVIE SERIES  
OPERATING CHARACTERISTICS**



The performances are valid for liquid with density  $\rho = 1.0 \text{ Kg/dm}^3$  and kinematic viscosity  $\nu = 1 \text{ mm}^2/\text{sec}$ .

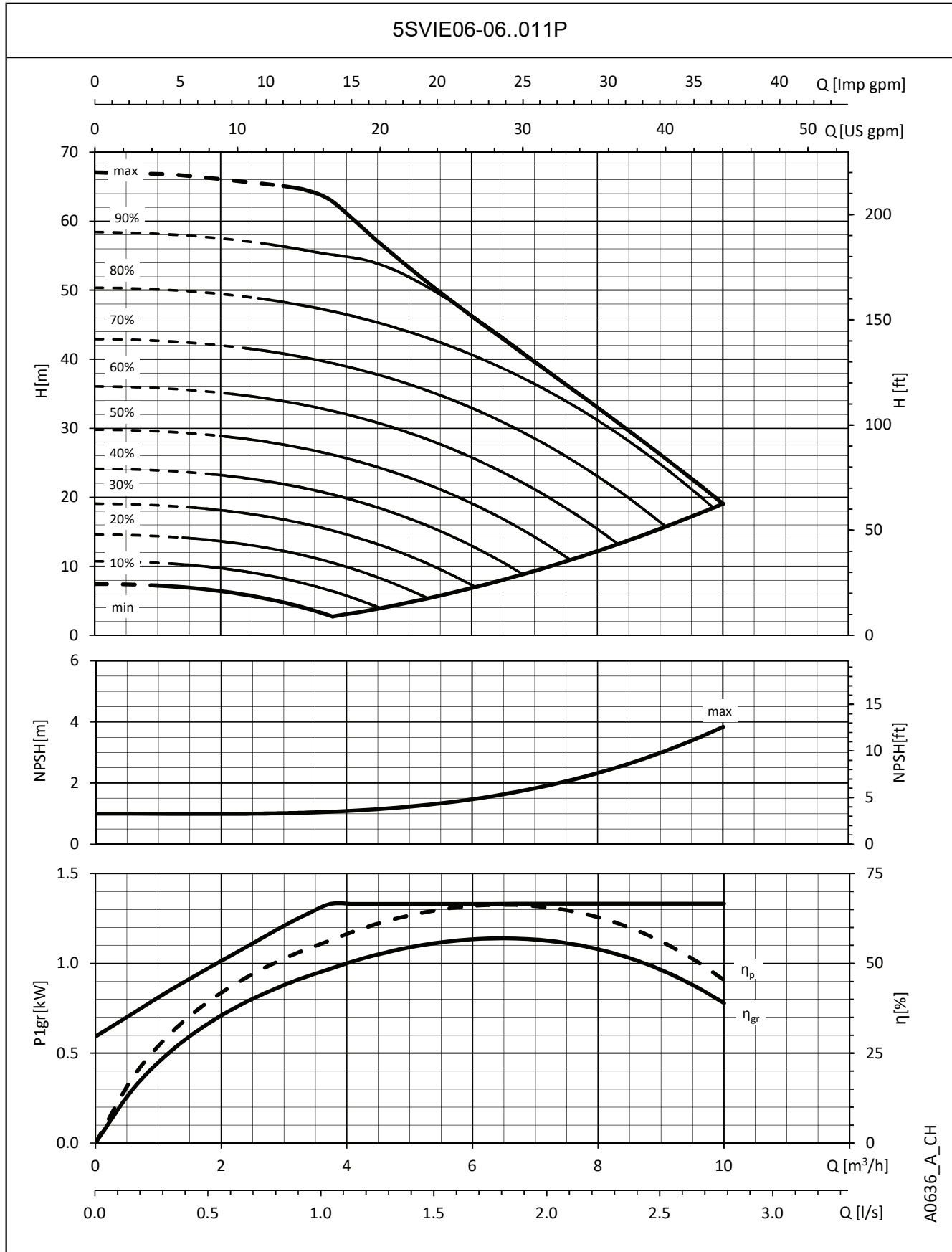
**5SVIE SERIES  
OPERATING CHARACTERISTICS**



The performances are valid for liquid with density  $\rho = 1.0 \text{ Kg/dm}^3$  and kinematic viscosity  $\nu = 1 \text{ mm}^2/\text{sec}$ .

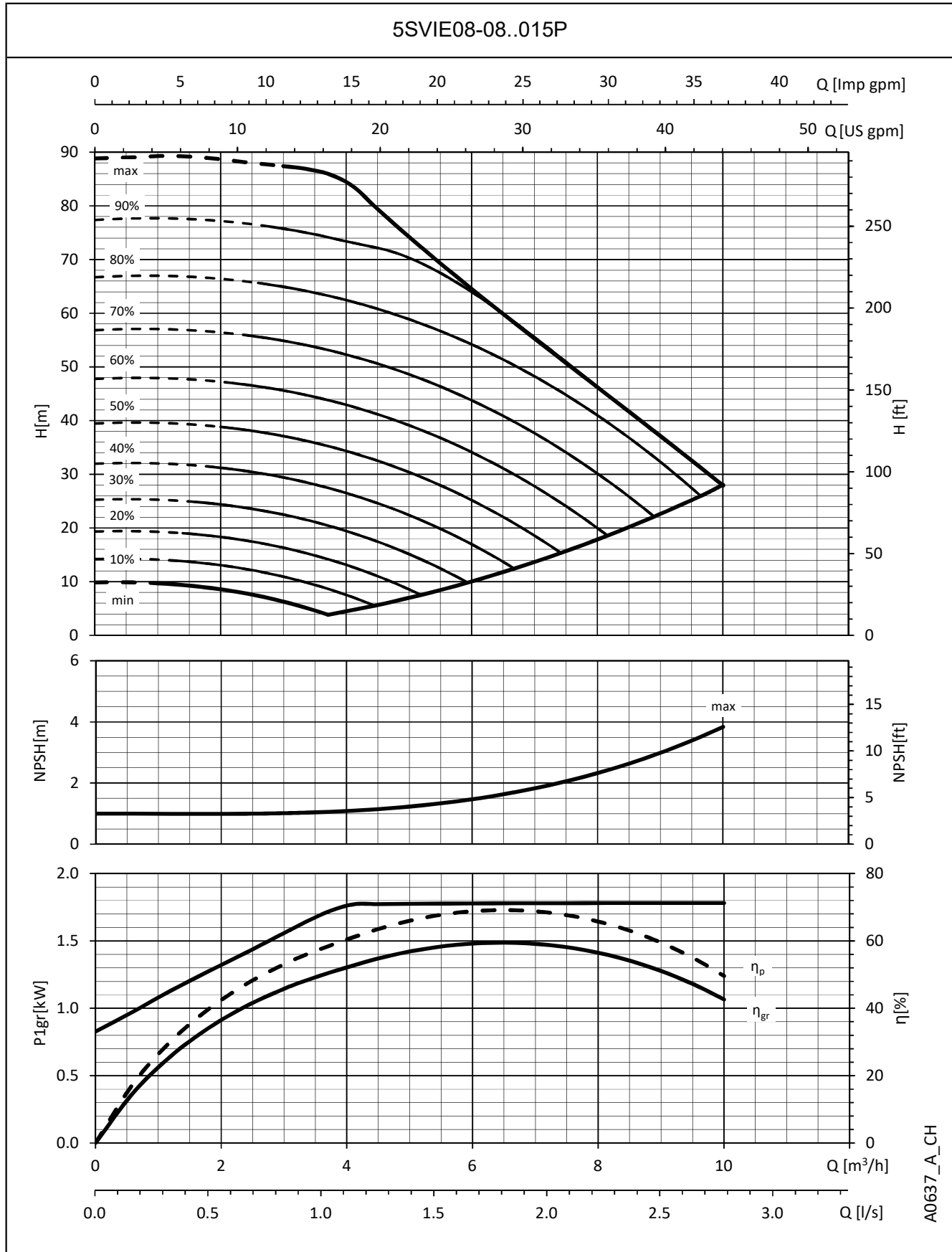


**5SVIE SERIES  
OPERATING CHARACTERISTICS**



The performances are valid for liquid with density  $\rho = 1.0 \text{ Kg/dm}^3$  and kinematic viscosity  $\nu = 1 \text{ mm}^2/\text{sec}$ .

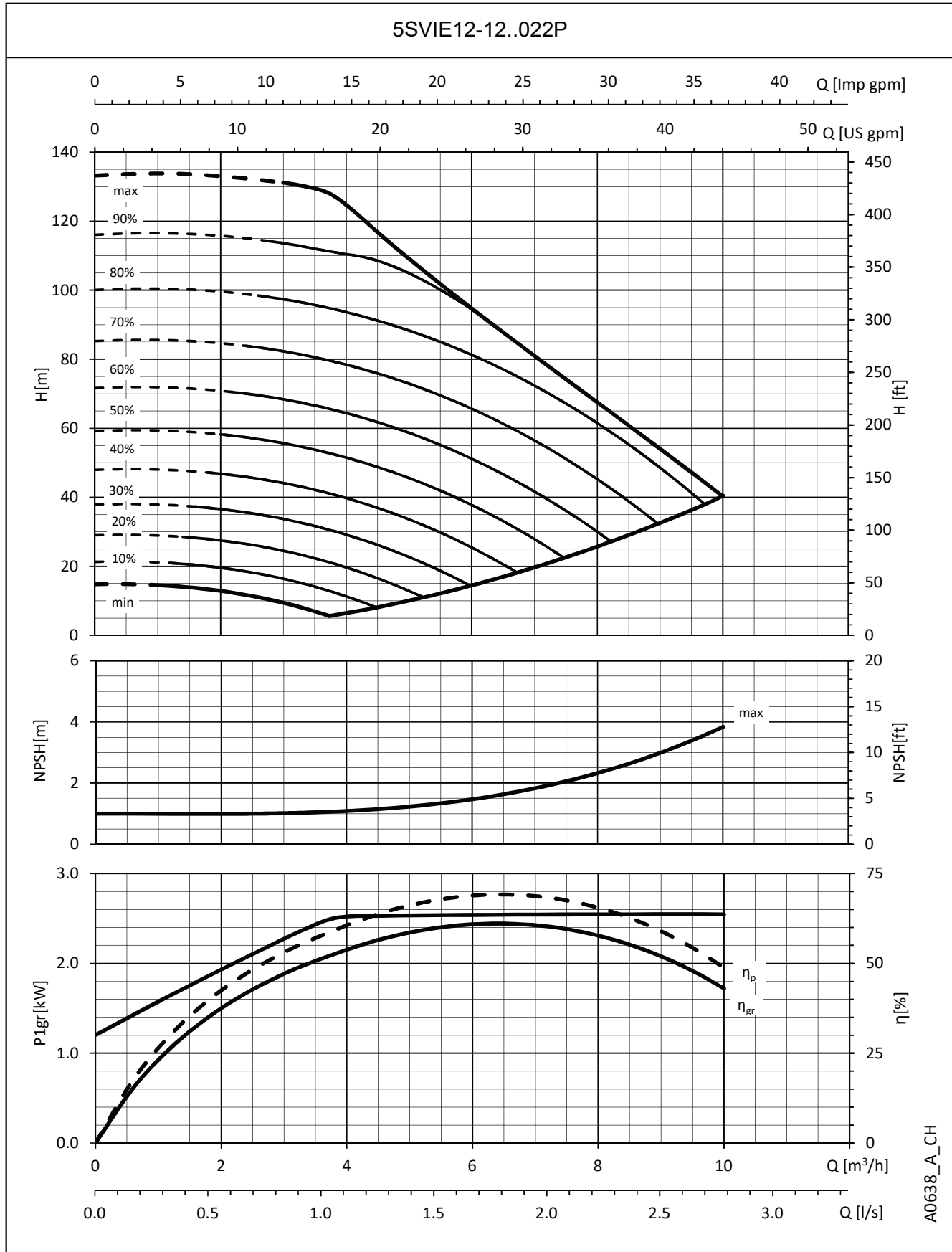
### 5SVIE SERIES OPERATING CHARACTERISTICS



A0637\_A\_CH

The performances are valid for liquid with density  $\rho = 1.0 \text{ Kg/dm}^3$  and kinematic viscosity  $\nu = 1 \text{ mm}^2/\text{sec}$ .

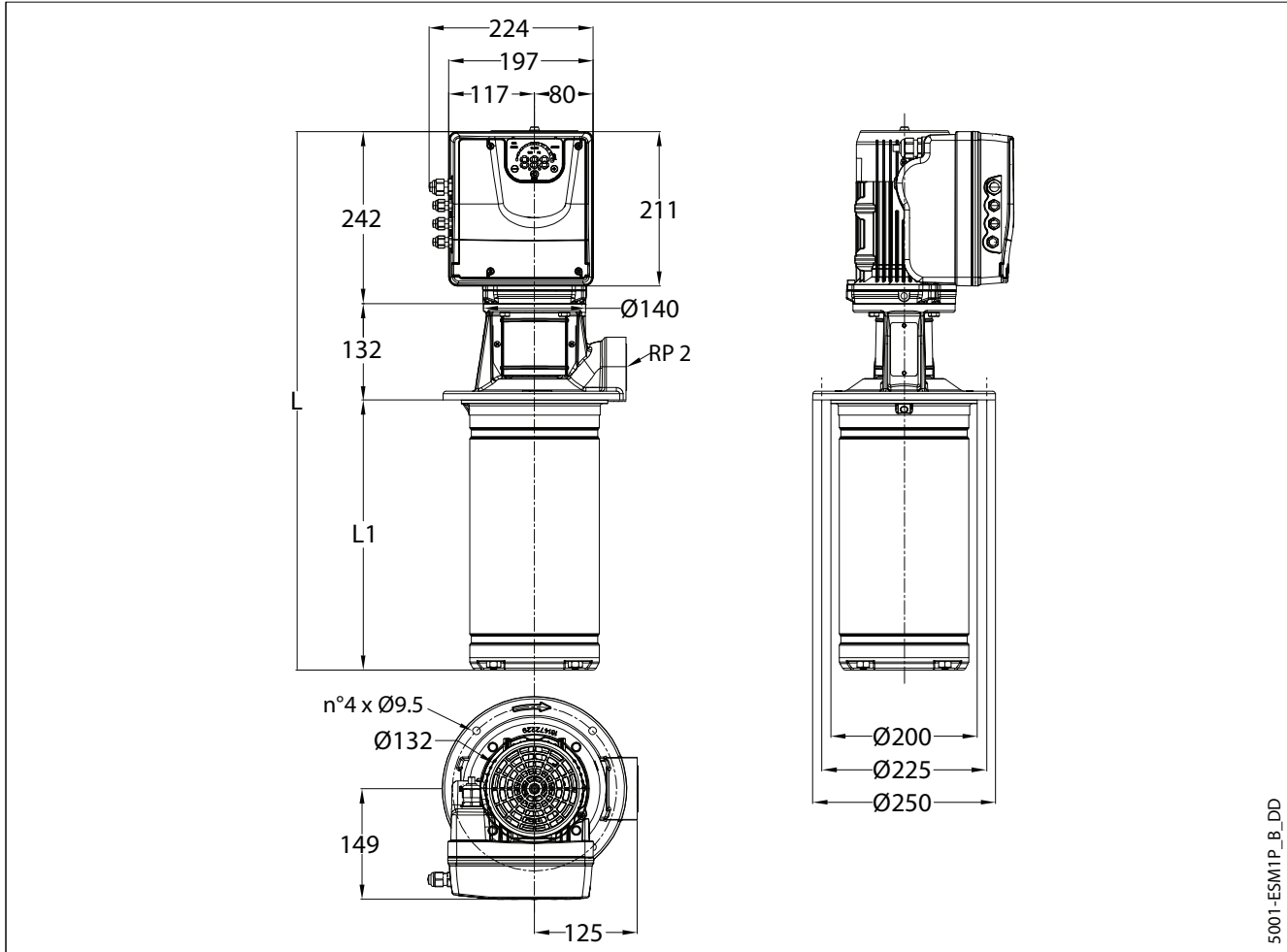
**5SVIE SERIES  
OPERATING CHARACTERISTICS**



A0638\_A\_CH

The performances are valid for liquid with density  $\rho = 1.0 \text{ Kg/dm}^3$  and kinematic viscosity  $\nu = 1 \text{ mm}^2/\text{sec}$ .

**10, 15, 22 SVIE..C - 10, 15, 22 SVIE..M SERIES, SINGLE-PHASE VERSION  
DIMENSIONS AND WEIGHTS**



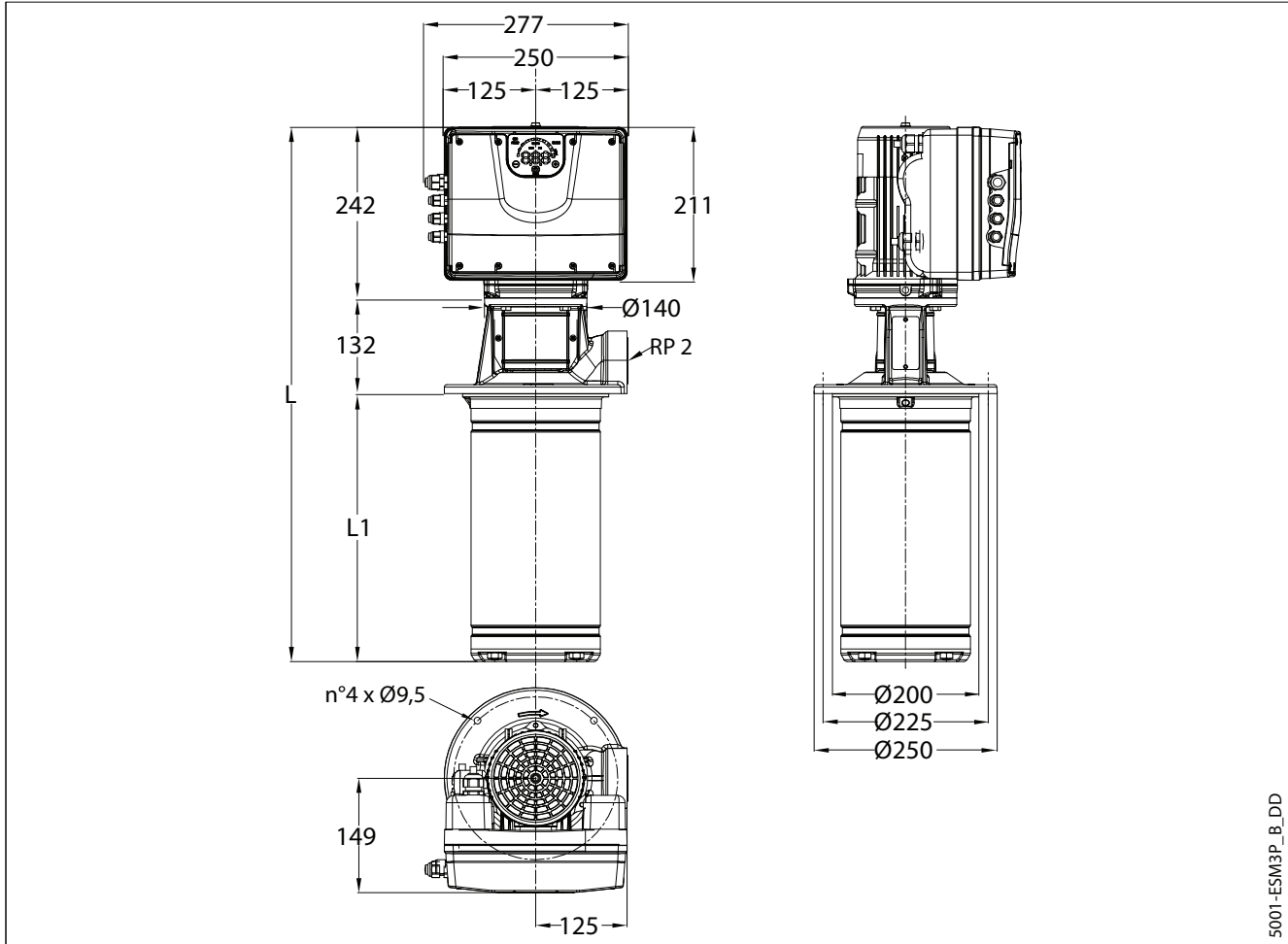
5001-ESM1P\_B\_DD

PUMP TYPE	MOTOR		DIMENSIONS (mm)		WEIGHT (kg)	
	kw	SIZE	L	L1	PUMP	ELECTRIC PUMP
10SVIE02-02..007	0,75	90R	552	178	13	21
10SVIE02-02..011	1,1	90R	552	178	13	22
10SVIE03-03..015	1,5	90R	584	210	14	23
15SVIE02-02..015	1,5	90R	600	226	14	23
22SVIE02-02..015	1,5	90R	600	226	14	35

All listed dimensions are with inducer.

10-22svie 1ph-en b td

### 10, 15, 22 SVIE..C - 10, 15, 22 SVIE..M SERIES, THREE-PHASE VERSION DIMENSIONS AND WEIGHTS

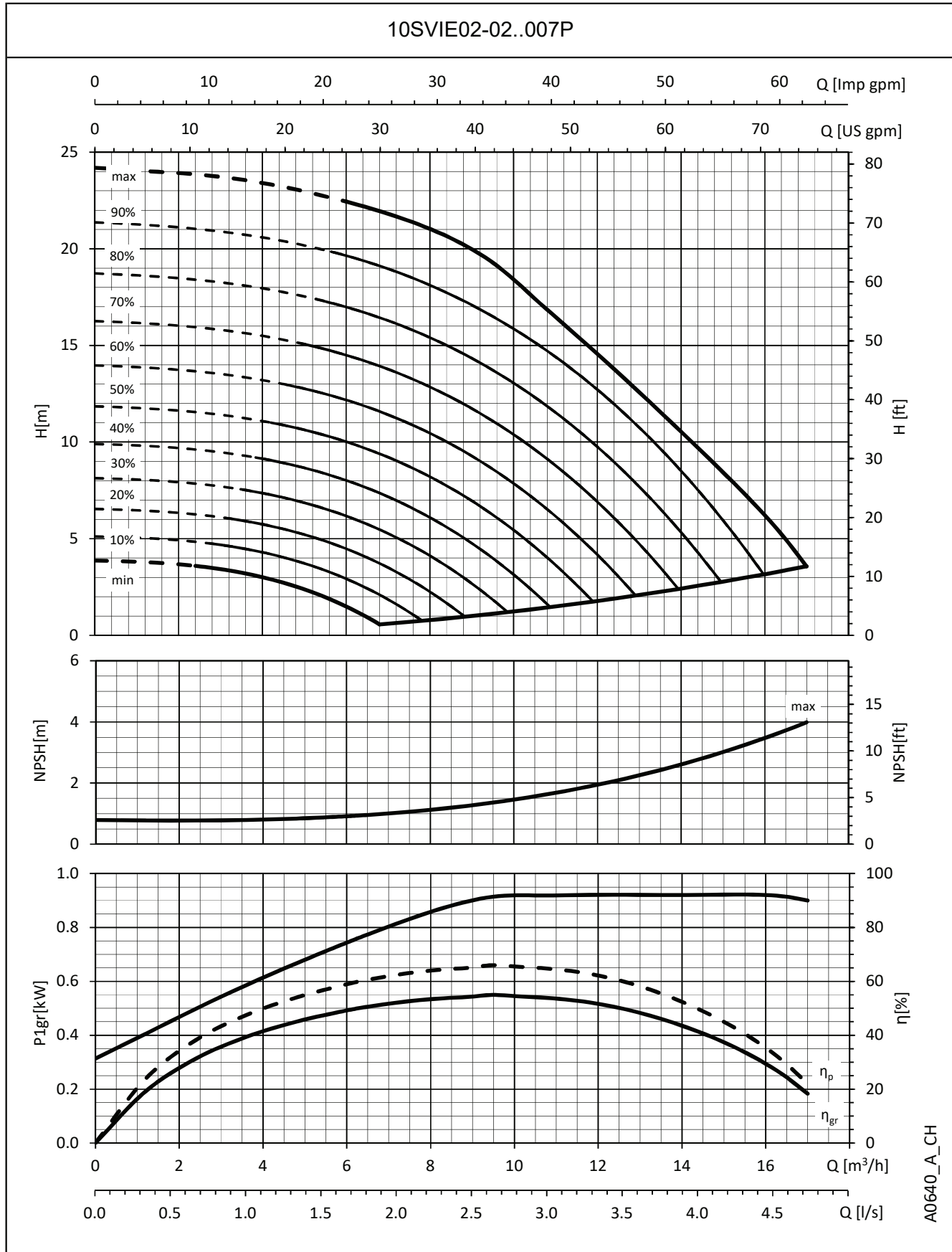


5001-ESM3P\_B\_DD

PUMP TYPE THREE-PHASE	MOTOR		DIMENSIONS (mm)		WEIGHT (kg)	
	kW	SIZE	L	L1	PUMP	ELECTRIC PUMP
10SVIE02-02..007	0,75	90R	552	178	13	26
10SVIE02-02..011	1,1	90R	552	178	13	28
10SVIE03-03..015	1,5	90R	584	210	14	29
10SVIE04-04..022	2,2	90R	616	242	15	30
15SVIE02-02..015	1,5	90R	600	226	14	29
15SVIE02-02..022	2,2	90R	600	226	14	29
22SVIE02-02..015	1,5	90R	600	226	14	32
22SVIE02-02..022	2,2	90R	600	226	14	32

All listed dimensions are with inducer.

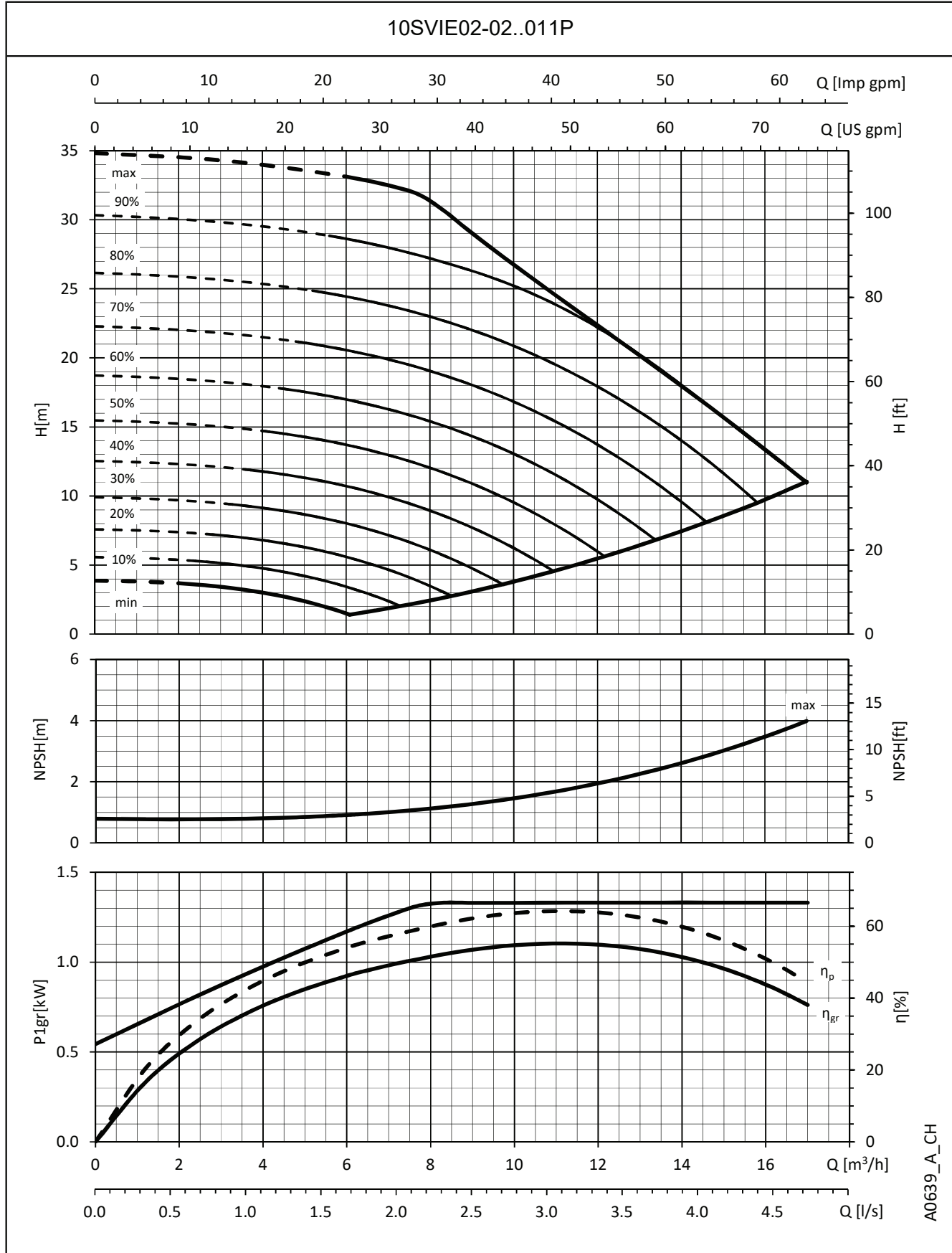
10-22svie\_3ph-en\_b\_td

**10SVIE SERIES  
OPERATING CHARACTERISTICS**


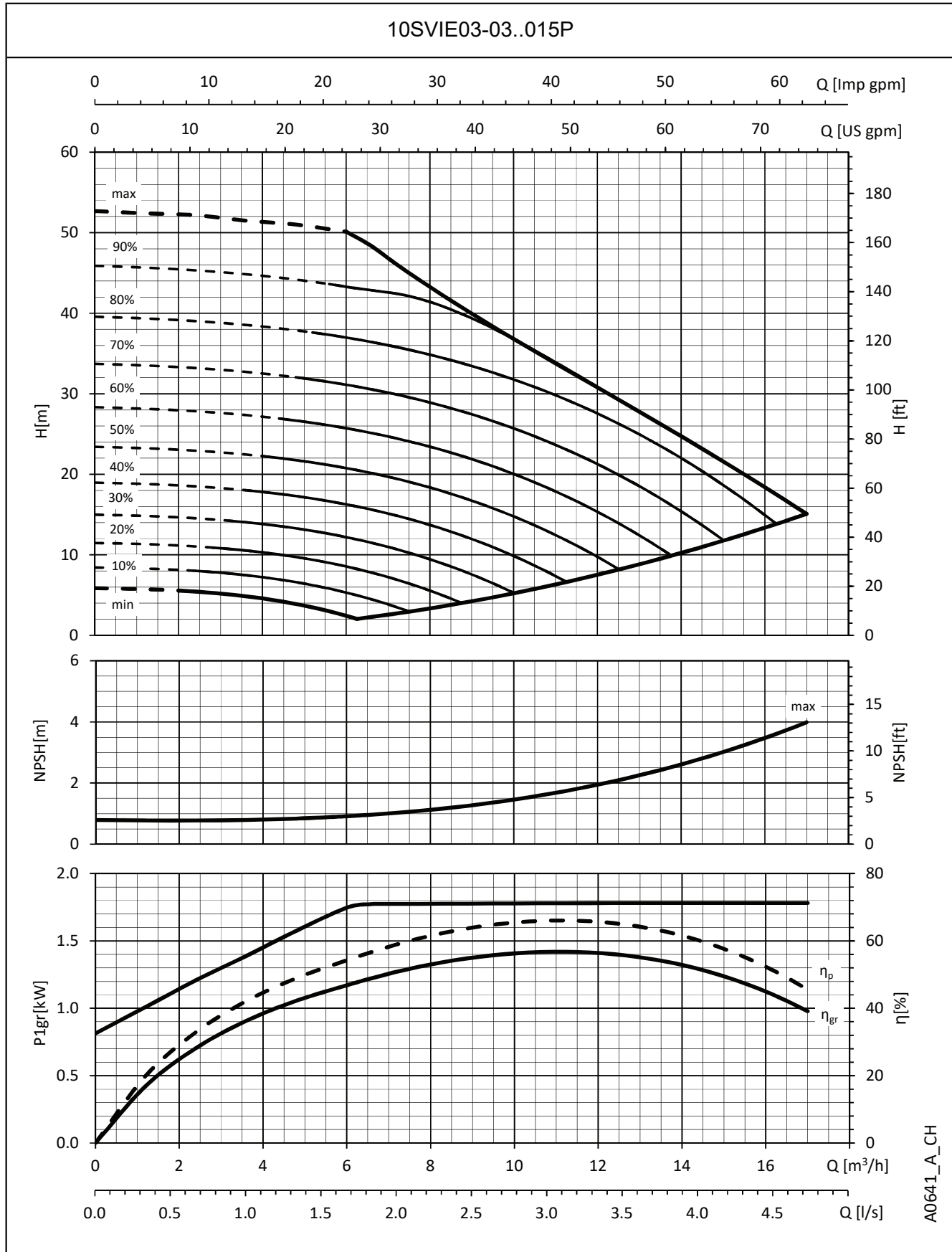
A0640\_A\_CH

 The performances are valid for liquid with density  $\rho = 1.0 \text{ Kg/dm}^3$  and kinematic viscosity  $\nu = 1 \text{ mm}^2/\text{sec}$ .

**10SVIE SERIES  
OPERATING CHARACTERISTICS**



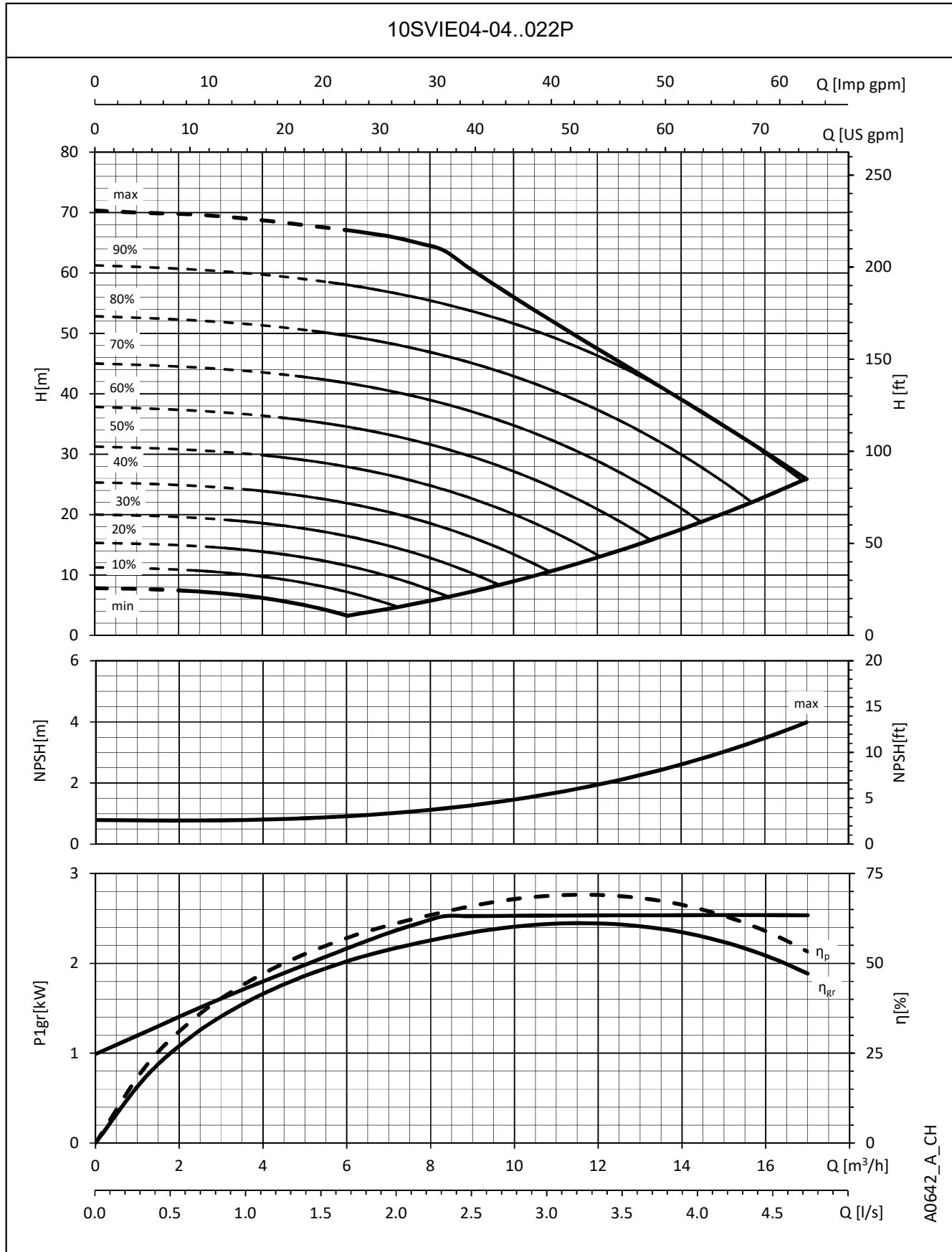
The performances are valid for liquid with density  $\rho = 1.0 \text{ Kg/dm}^3$  and kinematic viscosity  $\nu = 1 \text{ mm}^2/\text{sec}$ .

**10SVIE SERIES  
OPERATING CHARACTERISTICS**


The performances are valid for liquid with density  $\rho = 1.0 \text{ Kg/dm}^3$  and kinematic viscosity  $\nu = 1 \text{ mm}^2/\text{sec}$ .

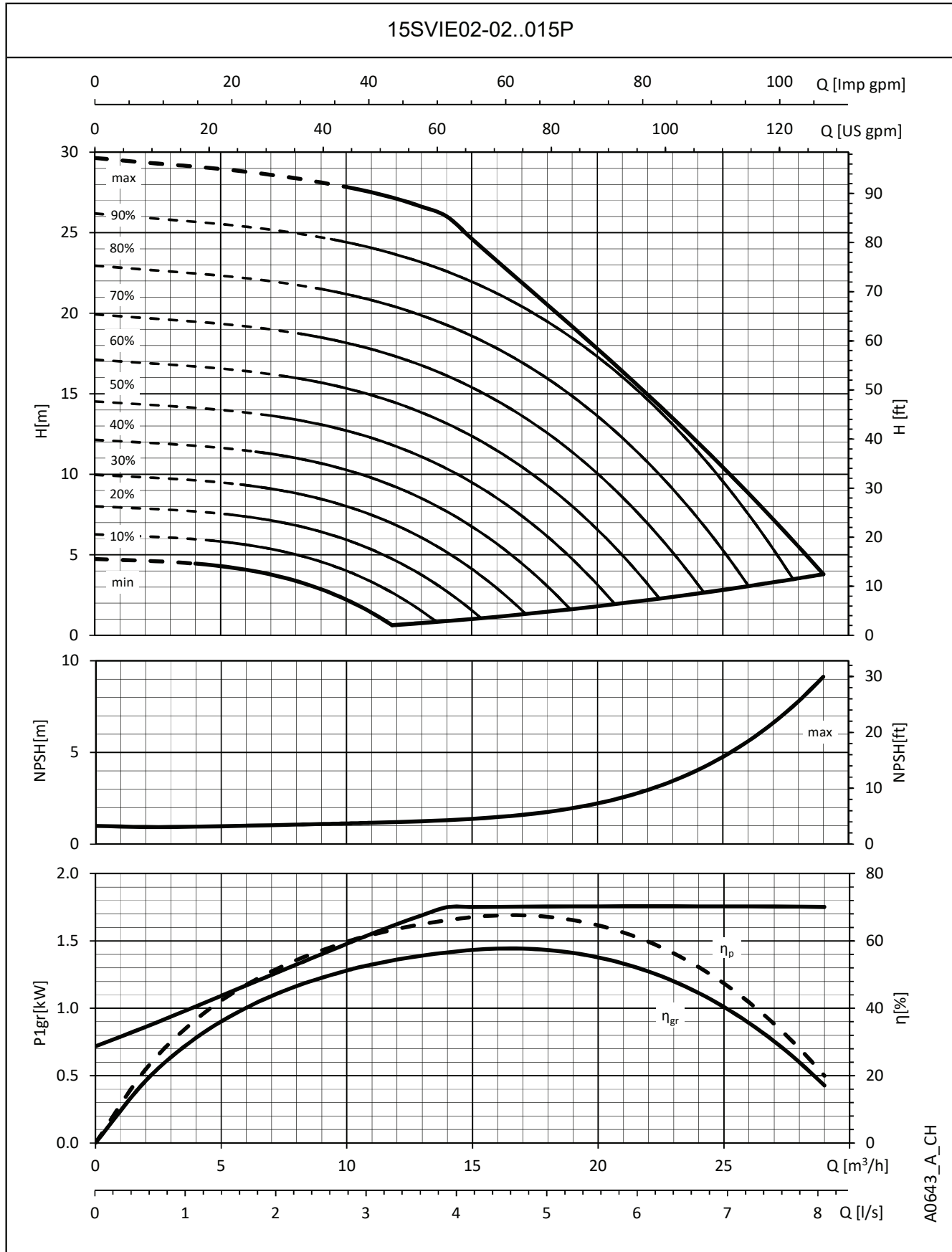


**10SVIE SERIES  
OPERATING CHARACTERISTICS**



The performances are valid for liquid with density  $\rho = 1.0 \text{ Kg/dm}^3$  and kinematic viscosity  $\nu = 1 \text{ mm}^2/\text{sec}$ .

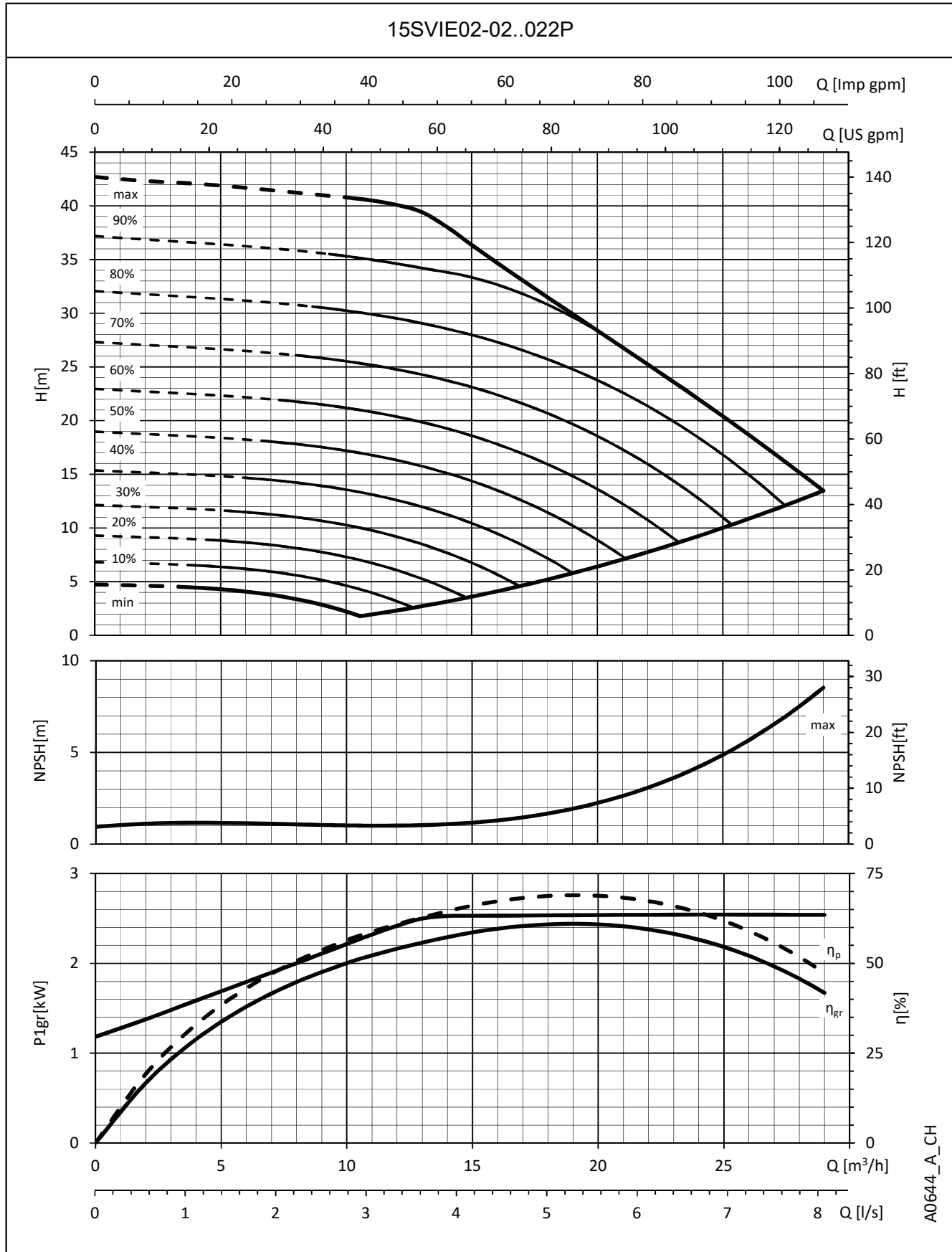
**15SVIE SERIES  
OPERATING CHARACTERISTICS**



A0643\_A\_CH

The performances are valid for liquid with density  $\rho = 1.0 \text{ Kg/dm}^3$  and kinematic viscosity  $\nu = 1 \text{ mm}^2/\text{sec}$ .

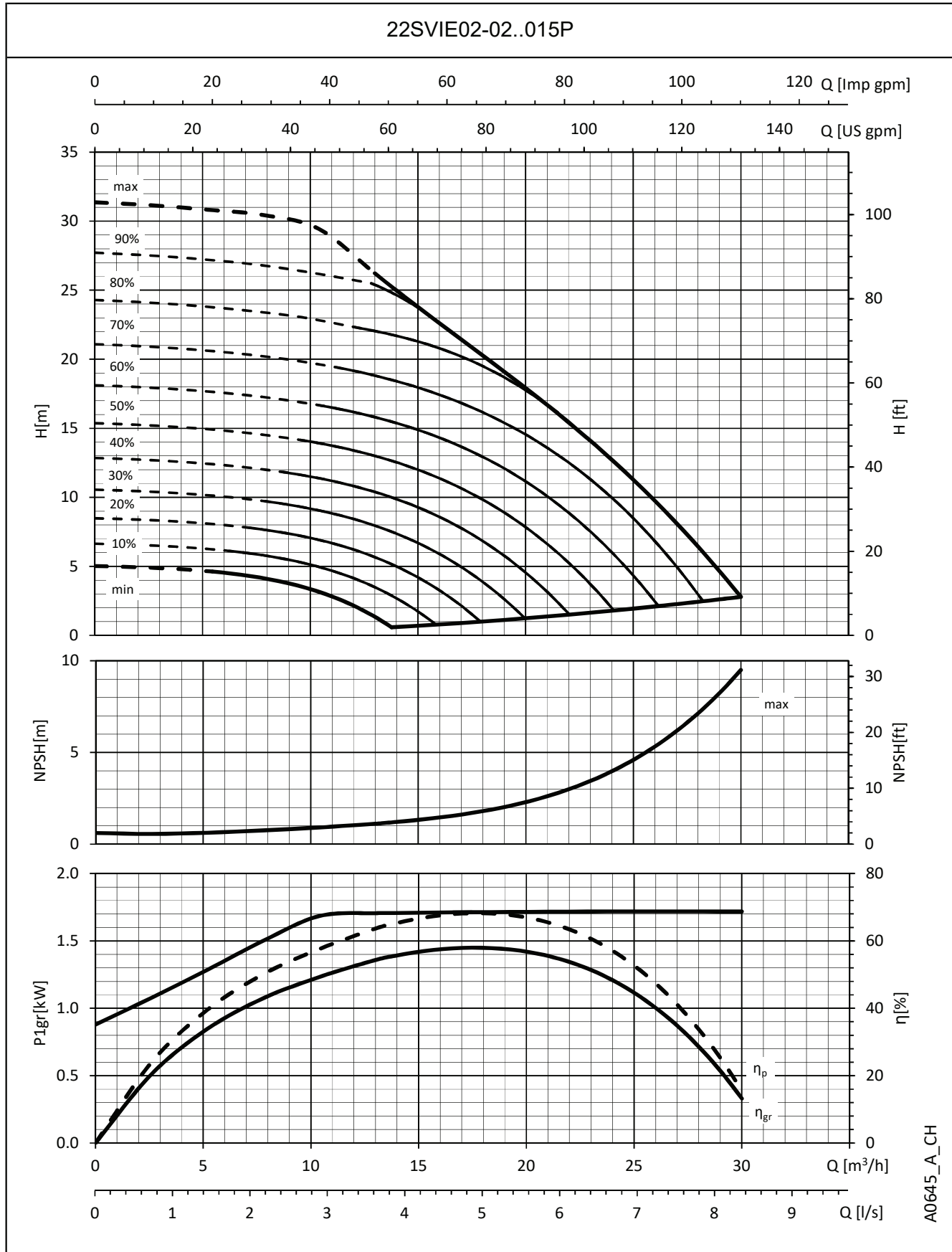
**15SVIE SERIES  
OPERATING CHARACTERISTICS**



A0644\_A\_CH

The performances are valid for liquid with density  $\rho = 1.0 \text{ Kg/dm}^3$  and kinematic viscosity  $\nu = 1 \text{ mm}^2/\text{sec}$ .

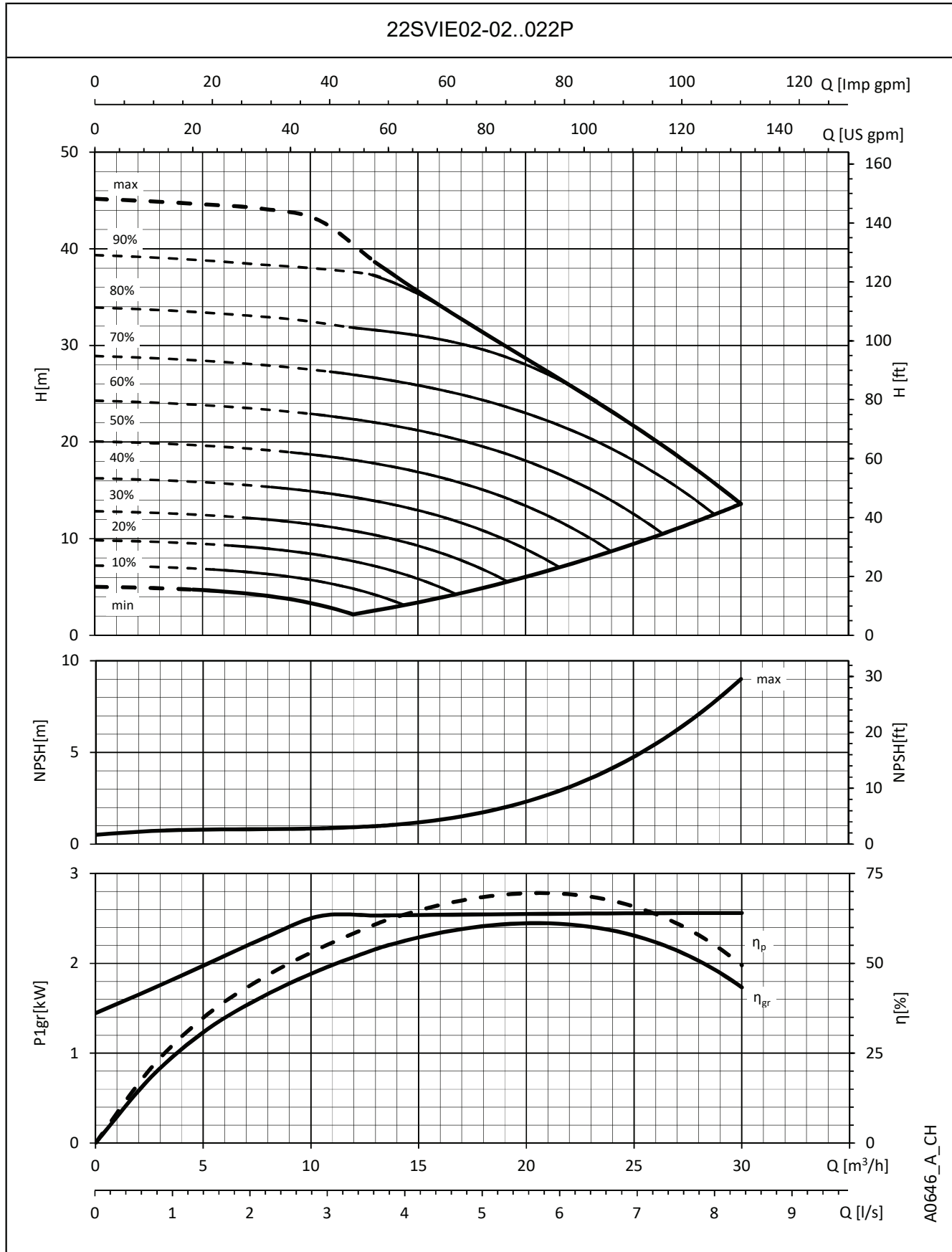
**22SVIE SERIES  
OPERATING CHARACTERISTICS**



A0645\_A\_CH

The performances are valid for liquid with density  $\rho = 1.0 \text{ Kg/dm}^3$  and kinematic viscosity  $\nu = 1 \text{ mm}^2/\text{sec}$ .

## 22SVIE SERIES OPERATING CHARACTERISTICS



A0646\_A\_CH

The performances are valid for liquid with density  $\rho = 1.0 \text{ Kg/dm}^3$  and kinematic viscosity  $\nu = 1 \text{ mm}^2/\text{sec}$ .



# ACCESSORIES

## SVI 33, 46, 66, 92 SERIES (S, N VERSIONS) DIMENSIONS OF ROUND THREADED COUNTERFLANGES

PUMP TYPE	DN	ø C	DIMENSIONS (mm)				HOLES		
			ø A	B	ø D	H	ø F	N°	PN
SVI33	80	Rp 3	160	17	200	27	18	8	16
SVI46									
SVI66									
SVI92									

04430\_B\_DD

svi-ctf-tonde-f-en\_a\_td

## SVI 33, 46, 66, 92 SERIES (S, N VERSIONS) DIMENSIONS PF ROUND WELD-ON COUNTERFLANGES

PUMP TYPE	DN	ø C	DIMENSIONS (mm)			HOLES		PN
			ø A	B	ø D	ø F	N°	
SVI33	80	90	160	20	200	18	8	16
SVI46								
SVI66								
SVI92								
SVI33	80	90	160	24	200	18	8	25
SVI46								
SVI66								
SVI92								

04431\_B\_DD

svi-ctf-tonde-s-en\_a\_td

## ROUND COUNTERFLANGES

- SVI 33, 46, 66, 92 S versions : Kit containing weld-on counterflange (PN16, PN25) or threaded one PN16 made of galvanized steel. Each Kit contains 1 counterflange plus bolts and gasket.
- SVI 33, 46, 66, 92 N versions : Kit containing weld-on counterflange (PN16, PN25) or threaded one PN16 made of AISI 316L stainless steel. Each Kit contains 1 counterflange plus bolts and gasket.

## TIGHTENING TORQUE

PUMP TYPE	WELD-ON ROUND COUNTERFLANGES			THREADED COUNTERFLANGES		
	ø	TIGHTENING TORQUE (Nm)	PN	ø	TIGHTENING TORQUE (Nm)	PN
33SVI	M16	200	25	M16	100	16
46SVI	M16	200	25	M16	100	16
66SVI-92SVI	M20	200	25	M16	100	16

svi\_ctf-en\_a\_td



# **TECHNICAL APPENDIX**

## NPSH

The minimum operating values that can be reached at the pump suction end are limited by the onset of cavitation.

Cavitation is the formation of vapour-filled cavities within liquids where the pressure is locally reduced to a critical value, or where the local pressure is equal to, or just below the vapour pressure of the liquid.

The vapour-filled cavities flow with the current and when they reach a higher pressure area the vapour contained in the cavities condenses. The cavities collide, generating pressure waves that are transmitted to the walls. These, being subjected to stress cycles, gradually become deformed and yield due to fatigue. This phenomenon, characterized by a metallic noise produced by the hammering on the pipe walls, is called incipient cavitation.

The damage caused by cavitation may be magnified by electrochemical corrosion and a local rise in temperature due to the plastic deformation of the walls. The materials that offer the highest resistance to heat and corrosion are alloy steels, especially austenitic steel. The conditions that trigger cavitation may be assessed by calculating the total net suction head, referred to in technical literature with the acronym NPSH (Net Positive Suction Head).

The NPSH represents the total energy (expressed in m.) of the liquid measured at suction under conditions of incipient cavitation, excluding the vapour pressure (expressed in m.) that the liquid has at the pump inlet.

To find the static height  $h_z$  at which to install the machine under safe conditions, the following formula must be verified:

$$h_p + h_z \geq (NPSH_r + 0.5) + h_f + h_{pv} \quad \textcircled{1}$$

where:

**$h_p$**  is the absolute pressure applied to the free liquid surface in the suction tank, expressed in m. of liquid;  $h_p$  is the quotient between the barometric pressure and the specific weight of the liquid.

**$h_z$**  is the suction lift between the pump axis and the free liquid surface in the suction tank, expressed in m.;  $h_z$  is negative when the liquid level is lower than the pump axis.

**$h_f$**  is the flow resistance in the suction line and its accessories, such as: fittings, foot valve, gate valve, elbows, etc.

**$h_{pv}$**  is the vapour pressure of the liquid at the operating temperature, expressed in m. of liquid.  $h_{pv}$  is the quotient between the  $P_v$  vapour pressure and the liquid's specific weight.

**0,5** is the safety factor.

The maximum possible suction head for installation depends on the value of the atmospheric pressure (i.e. the elevation above sea level at which the pump is installed) and the temperature of the liquid.

To help the user, with reference to water temperature (4° C) and to the elevation above sea level, the following tables show the drop in hydraulic pressure head in relation to the elevation above sea level, and the suction loss in relation to temperature.

Water temperature (°C)	20	40	60	80	90	110	120
Suction loss (m)	0,2	0,7	2,0	5,0	7,4	15,4	21,5

Elevation above sea level (m)	500	1000	1500	2000	2500	3000
Suction loss (m)	0,55	1,1	1,65	2,2	2,75	3,3

Friction loss is shown in the tables of this catalogue. To reduce it to a minimum, especially in cases of high suction head (over 4-5 m.) or within the operating limits with high flow rates, we recommend using a suction line having a larger diameter than that of the pump's suction port.

It is always a good idea to position the pump as close as possible to the liquid to be pumped.

Make the following calculation:

Liquid: water at ~15°C  $\gamma = 1 \text{ kg/dm}^3$

Flow rate required: 25 m<sup>3</sup>/h

Head for required delivery: 70 m.

Suction lift: 3,5 m.

The selection is an 33SV3G075T pump whose NPSH required value is, at 25 m<sup>3</sup>/h, of 2 m.

For water at 15 °C

$$h_p = P_a / \gamma = 10,33\text{m}, h_{pv} = P_v / \gamma = 0,174\text{m} (0,01701 \text{ bar})$$

The  $H_f$  flow resistance in the suction line with foot valves is ~ 1,2 m.

By substituting the parameters in formula  $\textcircled{1}$  with the numeric values above, we have:

$$10,33 + (-3,5) \geq (2 + 0,5) + 1,2 + 0,17$$

from which we have: 6,8 > 3,9

The relation is therefore verified.

## VAPOUR PRESSURE VAPOUR PRESSURE $p_s$ AND $\rho$ DENSITY OF WATER TABLE

t °C	T K	$p_s$ bar	$\rho$ kg/dm <sup>3</sup>	t °C	T K	$p_s$ bar	$\rho$ kg/dm <sup>3</sup>	t °C	T K	$p_s$ bar	$\rho$ kg/dm <sup>3</sup>
0	273,15	0,00611	0,9998	55	328,15	0,15741	0,9857	120	393,15	1,9854	0,9429
1	274,15	0,00657	0,9999	56	329,15	0,16511	0,9852	122	395,15	2,1145	0,9412
2	275,15	0,00706	0,9999	57	330,15	0,17313	0,9846	124	397,15	2,2504	0,9396
3	276,15	0,00758	0,9999	58	331,15	0,18147	0,9842	126	399,15	2,3933	0,9379
4	277,15	0,00813	1,0000	59	332,15	0,19016	0,9837	128	401,15	2,5435	0,9362
5	278,15	0,00872	1,0000	60	333,15	0,1992	0,9832	130	403,15	2,7013	0,9346
6	279,15	0,00935	1,0000	61	334,15	0,2086	0,9826	132	405,15	2,867	0,9328
7	280,15	0,01001	0,9999	62	335,15	0,2184	0,9821	134	407,15	3,041	0,9311
8	281,15	0,01072	0,9999	63	336,15	0,2286	0,9816	136	409,15	3,223	0,9294
9	282,15	0,01147	0,9998	64	337,15	0,2391	0,9811	138	411,15	3,414	0,9276
10	283,15	0,01227	0,9997	65	338,15	0,2501	0,9805	140	413,15	3,614	0,9258
11	284,15	0,01312	0,9997	66	339,15	0,2615	0,9799	145	418,15	4,155	0,9214
12	285,15	0,01401	0,9996	67	340,15	0,2733	0,9793	155	428,15	5,433	0,9121
13	286,15	0,01497	0,9994	68	341,15	0,2856	0,9788	160	433,15	6,181	0,9073
14	287,15	0,01597	0,9993	69	342,15	0,2984	0,9782	165	438,15	7,008	0,9024
15	288,15	0,01704	0,9992	70	343,15	0,3116	0,9777	170	443,15	7,920	0,8973
16	289,15	0,01817	0,9990	71	344,15	0,3253	0,9770	175	448,15	8,924	0,8921
17	290,15	0,01936	0,9988	72	345,15	0,3396	0,9765	180	453,15	10,027	0,8869
18	291,15	0,02062	0,9987	73	346,15	0,3543	0,9760	185	458,15	11,233	0,8815
19	292,15	0,02196	0,9985	74	347,15	0,3696	0,9753	190	463,15	12,551	0,8760
20	293,15	0,02337	0,9983	75	348,15	0,3855	0,9748	195	468,15	13,987	0,8704
21	294,15	0,24850	0,9981	76	349,15	0,4019	0,9741	200	473,15	15,550	0,8647
22	295,15	0,02642	0,9978	77	350,15	0,4189	0,9735	205	478,15	17,243	0,8588
23	296,15	0,02808	0,9976	78	351,15	0,4365	0,9729	210	483,15	19,077	0,8528
24	297,15	0,02982	0,9974	79	352,15	0,4547	0,9723	215	488,15	21,060	0,8467
25	298,15	0,03166	0,9971	80	353,15	0,4736	0,9716	220	493,15	23,198	0,8403
26	299,15	0,03360	0,9968	81	354,15	0,4931	0,9710	225	498,15	25,501	0,8339
27	300,15	0,03564	0,9966	82	355,15	0,5133	0,9704	230	503,15	27,976	0,8273
28	301,15	0,03778	0,9963	83	356,15	0,5342	0,9697	235	508,15	30,632	0,8205
29	302,15	0,04004	0,9960	84	357,15	0,5557	0,9691	240	513,15	33,478	0,8136
30	303,15	0,04241	0,9957	85	358,15	0,5780	0,9684	245	518,15	36,523	0,8065
31	304,15	0,04491	0,9954	86	359,15	0,6011	0,9678	250	523,15	39,776	0,7992
32	305,15	0,04753	0,9951	87	360,15	0,6249	0,9671	255	528,15	43,246	0,7916
33	306,15	0,05029	0,9947	88	361,15	0,6495	0,9665	260	533,15	46,943	0,7839
34	307,15	0,05318	0,9944	89	362,15	0,6749	0,9658	265	538,15	50,877	0,7759
35	308,15	0,05622	0,9940	90	363,15	0,7011	0,9652	270	543,15	55,058	0,7678
36	309,15	0,05940	0,9937	91	364,15	0,7281	0,9644	275	548,15	59,496	0,7593
37	310,15	0,06274	0,9933	92	365,15	0,7561	0,9638	280	553,15	64,202	0,7505
38	311,15	0,06624	0,9930	93	366,15	0,7849	0,9630	285	558,15	69,186	0,7415
39	312,15	0,06991	0,9927	94	367,15	0,8146	0,9624	290	563,15	74,461	0,7321
40	313,15	0,07375	0,9923	95	368,15	0,8453	0,9616	295	568,15	80,037	0,7223
41	314,15	0,07777	0,9919	96	369,15	0,8769	0,9610	300	573,15	85,927	0,7122
42	315,15	0,08198	0,9915	97	370,15	0,9094	0,9602	305	578,15	92,144	0,7017
43	316,15	0,09639	0,9911	98	371,15	0,9430	0,9596	310	583,15	98,70	0,6906
44	317,15	0,09100	0,9907	99	372,15	0,9776	0,9586	315	588,15	105,61	0,6791
45	318,15	0,09582	0,9902	100	373,15	1,0133	0,9581	320	593,15	112,89	0,6669
46	319,15	0,10086	0,9898	102	375,15	1,0878	0,9567	325	598,15	120,56	0,6541
47	320,15	0,10612	0,9894	104	377,15	1,1668	0,9552	330	603,15	128,63	0,6404
48	321,15	0,11162	0,9889	106	379,15	1,2504	0,9537	340	613,15	146,05	0,6102
49	322,15	0,11736	0,9884	108	381,15	1,3390	0,9522	350	623,15	165,35	0,5743
50	323,15	0,12335	0,9880	110	383,15	1,4327	0,9507	360	633,15	186,75	0,5275
51	324,15	0,12961	0,9876	112	385,15	1,5316	0,9491	370	643,15	210,54	0,4518
52	325,15	0,13613	0,9871	114	387,15	1,6362	0,9476	374,15	647,30	221,20	0,3154
53	326,15	0,14293	0,9862	116	389,15	1,7465	0,9460				
54	327,15	0,15002	0,9862	118	391,15	1,8628	0,9445				

G-at\_npsb\_b\_sc



## FLOW RESISTANCE

### TABLE OF FLOW RESISTANCE IN BENDS, VALVES AND GATES

The flow resistance is calculated using the equivalent pipeline length method according to the table below:

ACCESSORY TYPE	DN											
	25	32	40	50	65	80	100	125	150	200	250	300
	Equivalent pipeline length (m)											
45° bend	0,2	0,2	0,4	0,4	0,6	0,6	0,9	1,1	1,5	1,9	2,4	2,8
90° bend	0,4	0,6	0,9	1,1	1,3	1,5	2,1	2,6	3,0	3,9	4,7	5,8
90° smooth bend	0,4	0,4	0,4	0,6	0,9	1,1	1,3	1,7	1,9	2,8	3,4	3,9
Union tee or cross	1,1	1,3	1,7	2,1	2,6	3,2	4,3	5,3	6,4	7,5	10,7	12,8
Gate valve	-	-	-	0,2	0,2	0,2	0,4	0,4	0,6	0,9	1,1	1,3
Foot check valve	1,1	1,5	1,9	2,4	3,0	3,4	4,7	5,9	7,4	9,6	11,8	13,9
Non return valve	1,1	1,5	1,9	2,4	3,0	3,4	4,7	5,9	7,4	9,6	11,8	13,9

G-a-pcv-en\_b\_th

The table is valid for the Hazen Williams coefficient  $C=100$  (cast iron pipework);

for steel pipework, multiply the values by 1,41;

for stainless steel, copper and coated cast iron pipework, multiply the values by 1,85;

When the **equivalent pipeline length** has been determined, the flow resistance is obtained from the table of flow resistance.

The values given are guideline values which are bound to vary slightly according to the model, especially for gate valves and non-return valves, for which it is a good idea to check the values supplied by manufacturers.

## VOLUMETRIC CAPACITY

Litres per minute l/min	Cubic metres per hour m <sup>3</sup> /h	Cubic feet per hour ft <sup>3</sup> /h	Cubic feet per minute ft <sup>3</sup> /min	Imperial gallon per minute Imp. gal/min	U.S. gallon per minute US gal/min
<b>1,0000</b>	0,0600	2,1189	0,0353	0,2200	0,2642
16,6667	<b>1,0000</b>	35,3147	0,5886	3,6662	4,4029
0,4719	0,0283	<b>1,0000</b>	0,0167	0,1038	0,1247
28,3168	1,6990	60,0000	<b>1,0000</b>	6,2288	7,4805
4,5461	0,2728	9,6326	0,1605	<b>1,0000</b>	1,2009
3,7854	0,2271	8,0208	0,1337	0,8327	<b>1,0000</b>

## PRESSURE AND HEAD

Newton per square metre N/m <sup>2</sup>	kilo Pascal kPa	bar bar	Pound force per square inch psi	Metre of water m H <sub>2</sub> O	Millimetre of mercury mm Hg
<b>1,0000</b>	0,0010	$1 \times 10^{-5}$	$1,45 \times 10^{-4}$	$1,02 \times 10^{-4}$	0,0075
1 000,0000	<b>1,0000</b>	0,0100	0,1450	0,1020	7,5006
$1 \times 10^5$	100,0000	<b>1,0000</b>	14,5038	10,1972	750,0638
6 894,7570	6,8948	0,0689	<b>1,0000</b>	0,7031	51,7151
9 806,6500	9,8067	0,0981	1,4223	<b>1,0000</b>	73,5561
133,3220	0,1333	0,0013	0,0193	0,0136	<b>1,0000</b>

## LENGTH

Millimetre mm	Centimetre cm	Metre m	Inch in	Foot ft	Yard yd
<b>1,0000</b>	0,1000	0,0010	0,0394	0,0033	0,0011
10,0000	<b>1,0000</b>	0,0100	0,3937	0,0328	0,0109
1 000,0000	100,0000	<b>1,0000</b>	39,3701	3,2808	1,0936
25,4000	2,5400	0,0254	<b>1,0000</b>	0,0833	0,0278
304,8000	30,4800	0,3048	12,0000	<b>1,0000</b>	0,3333
914,4000	91,4400	0,9144	36,0000	3,0000	<b>1,0000</b>

## VOLUME

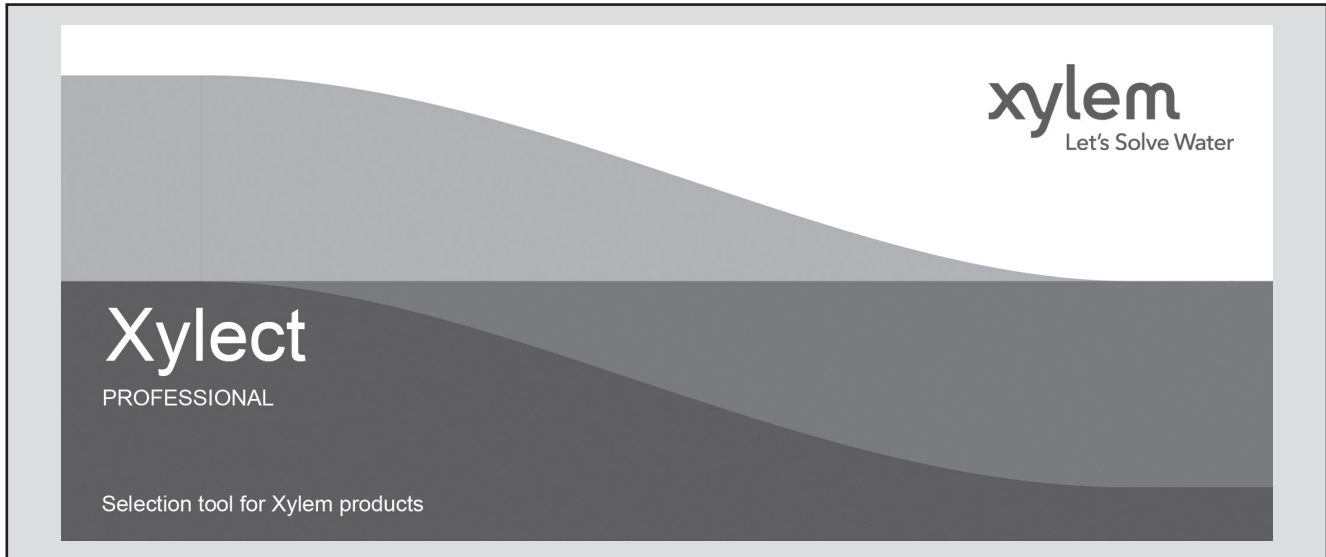
Cubic metre m <sup>3</sup>	Litre L	Millilitre ml	Imperial gallon imp. gal.	U.S. gallon US gal.	Cubic foot ft <sup>3</sup>
<b>1,0000</b>	1 000,0000	$1 \times 10^6$	219,9694	264,1720	35,3147
0,0010	<b>1,0000</b>	1 000,0000	0,2200	0,2642	0,0353
$1 \times 10^{-6}$	0,0010	<b>1,0000</b>	$2,2 \times 10^{-4}$	$2,642 \times 10^{-4}$	$3,53 \times 10^{-5}$
0,0045	4,5461	4 546,0870	<b>1,0000</b>	1,2009	0,1605
0,0038	3,7854	3 785,4120	0,8327	<b>1,0000</b>	0,1337
0,0283	28,3168	28 316,8466	6,2288	7,4805	<b>1,0000</b>

## TEMPERATURE

Water	Kelvin K	Celsius °C	Fahrenheit °F	$^{\circ}\text{F} = ^{\circ}\text{C} \times \frac{9}{5} + 32$ $^{\circ}\text{C} = (^{\circ}\text{F} - 32) \times \frac{5}{9}$
icing	273,1500	0,0000	32,0000	
boiling	373,1500	100,0000	212,0000	

G-at\_pp-en\_b\_sc

**FURTHER PRODUCT SELECTION  
AND DOCUMENTATION**  
**Xylect**



Xylect is pump solution selection software with an extensive online database of product information across the entire Lowara range of pumps and related products, with multiple search options and helpful project management facilities. The system holds up-to-date product information on thousands of products and accessories.

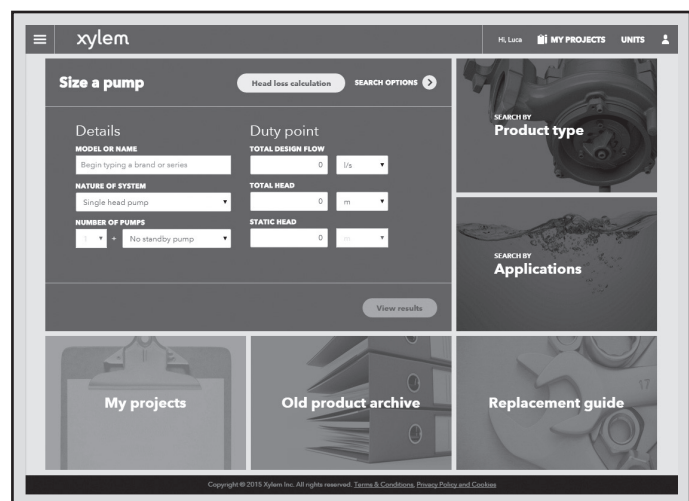
The possibility to search by applications and the detailed information output given makes it easy to make the optimal selection without having detailed knowledge about the Lowara products.

The search can be made by:

- Application
- Product type
- Duty point

Xylect gives a detailed output:

- List with search results
- Performance curves (flow, head, power, efficiency, NPSH)
- Motor data
- Dimensional drawings
- Options
- Data sheet printouts
- Document downloads incl dxf files



*The search by application guides users not familiar with the product range to the right choice.*

**FURTHER PRODUCT SELECTION  
AND DOCUMENTATION  
Xylect**



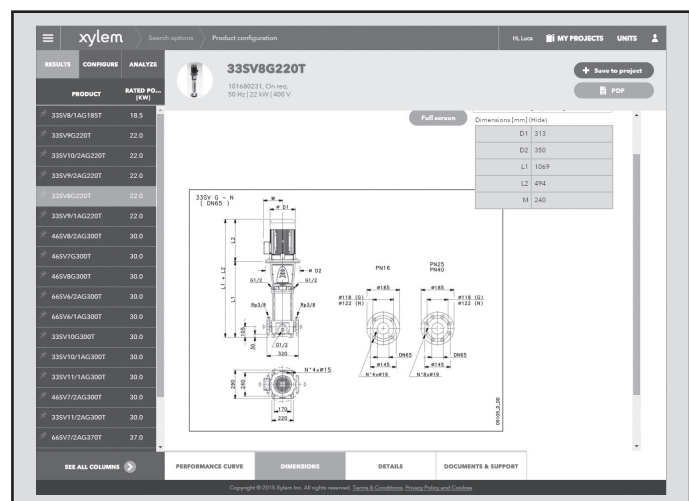
The detailed output makes it easy to select the optimal pump from the given alternatives.

The best way to work with Xylect is to create a personal account. This makes it possible to:

- Set own standard units
- Create and save projects
- Share projects with other Xylect users

Every registered user has a proper space, where all projects are saved.

For more information about Xylect please contact our sales network or visit [www.xylect.com](http://www.xylect.com).



Dimensional drawings appear on the screen and can be downloaded in dxf format.





# Xylem |'zīləm|

- 1) The tissue in plants that brings water upward from the roots;
- 2) a leading global water technology company.

We're a global team unified in a common purpose: creating advanced technology solutions to the world's water challenges. Developing new technologies that will improve the way water is used, conserved, and re-used in the future is central to our work. Our products and services move, treat, analyze, monitor and return water to the environment, in public utility, industrial, residential and commercial building services settings. Xylem also provides a leading portfolio of smart metering, network technologies and advanced analytics solutions for water, electric and gas utilities. In more than 150 countries, we have strong, long-standing relationships with customers who know us for our powerful combination of leading product brands and applications expertise with a strong focus on developing comprehensive, sustainable solutions.

**For more information on how Xylem can help you, go to [www.xylem.com](http://www.xylem.com).**



#### Hauptsitz

Gloor Pumpenbau AG  
Thunstrasse 25  
CH-3113 Rubigen  
**Tel. +41 (0)58 255 43 34**  
**info@gloor-pumpen.ch**  
**www.gloor-pumpen.ch**

#### Filiale Mittelland

Gloor Pumpenbau AG  
Industriestrasse 25  
CH-5036 Oberentfelden



#### Filiale Suisse Romande

Gloor Pumpenbau SA  
Rue du Collège 3 | Case postale  
CH-1410 Thierrens  
**Tél. +41 (0)58 255 43 34**  
**info@gloor-pompes.ch**  
**www.gloor-pompes.ch**