

Hauptsitz

Gloor Pumpenbau AG
Thunstrasse 25
CH-3113 Rubigen
Tel. +41 (0)58 255 43 34
info@gloor-pumpen.ch
www.gloor-pumpen.ch

Filiale Mittelland

Gloor Pumpenbau AG
Industriestrasse 25
CH-5036 Oberentfelden

Filiale Suisse Romande

Gloor Pumpenbau SA
Rue du Collège 3 | Case postale
CH-1410 Thierrens
Tél. +41 (0)58 255 43 34
info@gloor-pompes.ch
www.gloor-pompes.ch

SP Series

Close-coupled self-priming peripheral pumps with side channel and star impeller. Designed to remain primed even in the presence of waterdissolved gases or when the suction line is not filled with liquid.

The nickel-plated brass impeller prevents jamming due to oxidation.

Specifications

Delivery: up to 2.75 m³/h
Head: up to 50 m
Power supply: three-phase and single-phase 50 and 60 Hz
Power: 0.55 kW to 0.75 kW
Maximum operating pressure: 8 bar
Temperature of pumped liquid: -10°C to +40°C
Maximum ambient temperature: 40°C
Insulation class: F
Protection: IP55

Materials

Pump body: Cast iron
Motor/pump support: Cast iron
Impeller: Nickel-plated brass
Front flange: Brass
Rear diffuser plate: Brass
Mechanical seal: Ceramic/Carbon/NBR
Fill plug: Brass
Elastomers: NBR

Applications

Water distribution

Washing

Pressure boosting

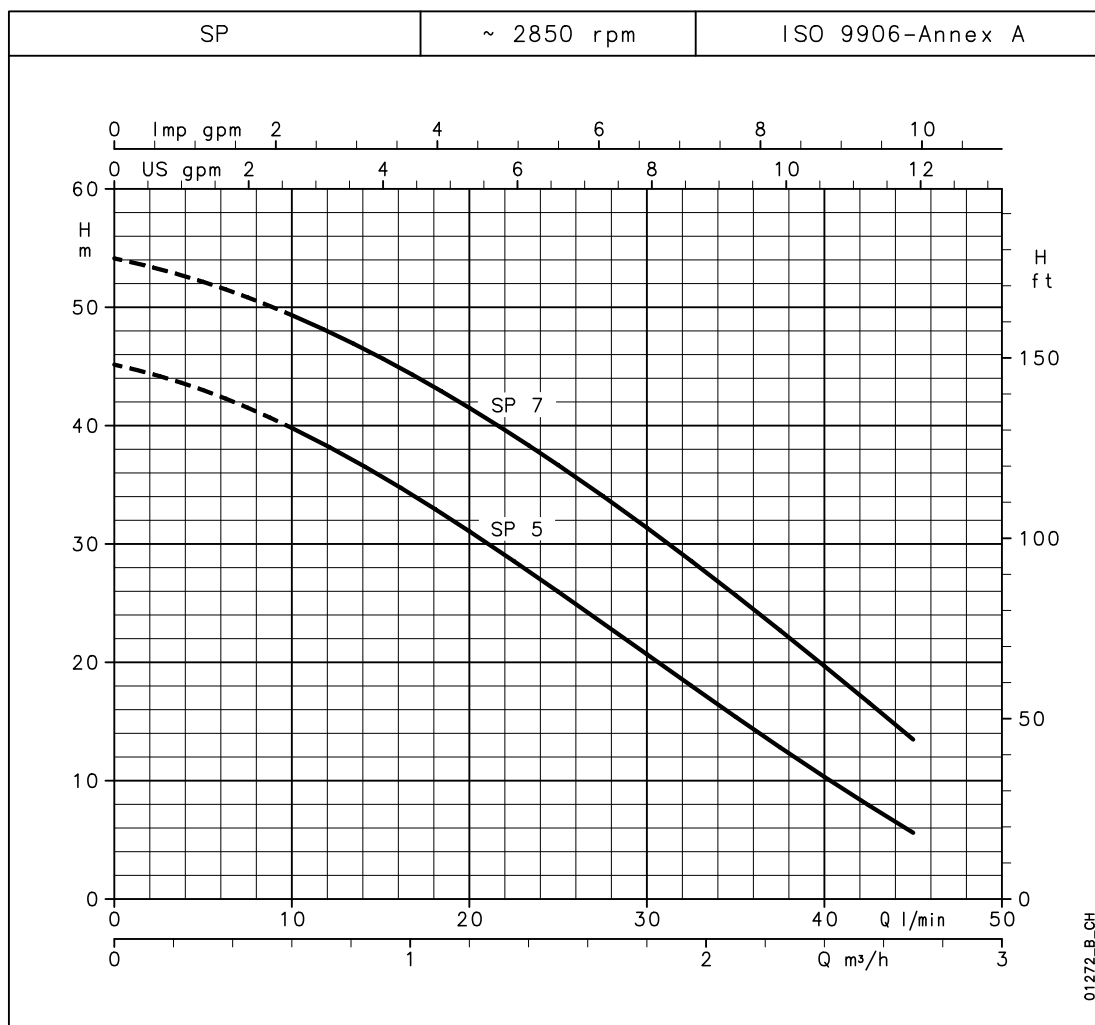
Irrigation



For a complete list of technical information, consult www.lowara.com

SP SERIES

Operating characteristics at 50 Hz



Hydraulic performance table

| PUMP TYPE | RATED POWER | | Q = DELIVERY | | | | | | | | |
|-----------|-------------|------|-------------------|--|------|------|------|------|------|------|--|
| | | | l/min | 10 | 20 | 25 | 30 | 35 | 40 | 45 | |
| | | | 0 | 0,6 | 1,2 | 1,5 | 1,8 | 2,1 | 2,4 | 2,7 | |
| | | | m ³ /h | H = TOTAL HEAD IN COLUMN OF WATER (METRES) | | | | | | | |
| SP5(T) | 0,55 | 0,75 | 45,2 | 39,8 | 31,1 | 26,0 | 20,7 | 15,4 | 10,3 | 5,7 | |
| SP7(T) | 0,75 | 1 | 54,1 | 49,3 | 41,5 | 36,7 | 31,4 | 25,7 | 19,7 | 13,5 | |

These performances are valid for liquids with density $\rho = 1.0 \text{ kg/dm}^3$ and kinematic viscosity $\nu = 1 \text{ mm}^2/\text{s}$.

sp-2p50_a_th

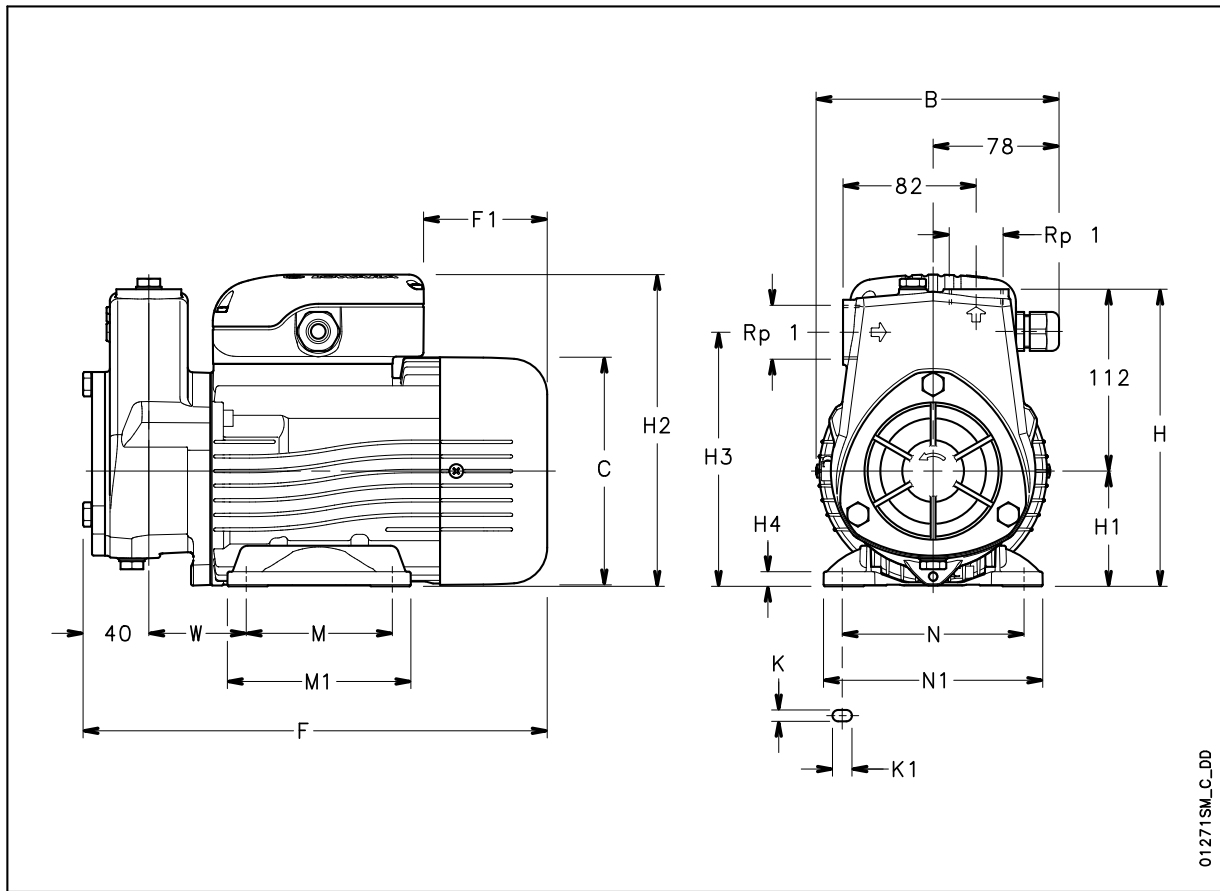
Electrical data

| TYPE | TYPE | POWER* | | CURRENT* | | TYPE | TYPE | POWER* | | CURRENT* | |
|------|-------------|--------|----|-----------|-------------------------------|------|--------------|--------|----|-----------|-----------|
| | | kW | HP | 220-240 V | 380-415 V | | | kW | HP | 220-240 V | 380-415 V |
| 1 ~ | | | | A | $\mu\text{F} / 450 \text{ V}$ | 3 ~ | | | | | |
| SP5 | SM71SP/1055 | 0,87 | | 4,21 | 16 | SP5T | SM71SP/305 | 0,78 | | 2,67 | 1,54 |
| SP7 | SM71SP/1075 | 1,00 | | 4,60 | 20 | SP7T | SM80SP/307HE | 0,95 | | 3,04 | 1,76 |

*Maximum value in specified range

sp-2p50-en_b_te

1 SP SERIES Dimensions and weights



01271SM_C_DD

| PUMP TYPE | DIMENSIONS (mm) | | | | | | | | | | | | | | | WEIGHT | |
|--------------|-----------------|-----|-----|-----|-----|----|-----|-----|----|-----|-----|-----|-----|---|----|--------|----|
| | B | C | F | F1 | H | H1 | H2 | H3 | H4 | M | M1 | N | N1 | K | K1 | W | kg |
| SP5 | 150 | 140 | 286 | 76 | 183 | 71 | 192 | 156 | 9 | 90 | 113 | 112 | 135 | 7 | 12 | 60 | 11 |
| SP7 | 150 | 140 | 286 | 76 | 183 | 71 | 192 | 156 | 9 | 90 | 113 | 112 | 135 | 7 | 12 | 60 | 12 |
| SP5T | 150 | 140 | 286 | 76 | 183 | 71 | 192 | 156 | 9 | 90 | 113 | 112 | 135 | 7 | 12 | 60 | 11 |
| SP7T | 156 | 155 | 325 | 113 | 192 | 80 | 209 | 165 | 10 | 100 | 124 | 125 | 153 | 9 | 12 | 72 | 15 |

sp-2p50-en_b_td