

AUTOCLAVE ZINCATA Z PED VT

CERTIFIED VERTICAL GALVANIZED PRESSURE VESSEL (STANDARD 2014/68/UE)



Hauptsitz
Gloor Pumpenbau AG
 Thunstrasse 25 | CH-3113 Rubigen
Tel. +41 (0)31 721 52 24
 Fax +41 (0)31 721 54 34
 office@gloor-pumpen.ch
 www.gloor-pumpen.ch

Bureau Suisse Romande
Gloor Pumpenbau SA
 Rue du Collège 3 | Case postale
 CH-1410 Thierrens
Tél. +41 (0)21 905 10 80
 office@gloor-pumpen.ch
 www.gloor-pumpen.ch



PRESSURE	TEMPERATURE
Pmax	Tmax
[vedi tabella]	-10 / +50 °C

Model	AUTOCL. Z VT Art. Nr.	Working Pressure [Bar]
100	3052171990001	8
200	3052171990022	
300	3052171990003	
500	3052171990004	
750	3052171990025	
1000	3052171990026	
1500	3051171990015	
2000	3051171990016	
2500	3051171990017	
3000	3051171990068	
4000	3051171990019	12
5000 ø1450	3051171990020	
5000 ø1600	3051172020007	
8000	3051172020011	
10000	3051172020012	

Model	AUTOCL. Z VT Art. Nr.	Working Pressure [Bar]
100	3052171990015	11,76
200	3051171990074	
300	3051171990025	
500	3051171990026	
750	3051171990077	
1000	3051171990078	12
1500	3051171990029	
2000	3051171990030	
2500	3051171990031	
3000	3051171990082	
4000	3051172020008	
5000 ø1450	3051172020004	
8000	3051172020013	
10000	3051172020014	

Models from 100 to 1000 are provided with the security valve and the pressure gauge.
 Models 5000 (ø1600), 8000 and 10000 are provided with the manhole.

Models from 100 and 500 are provided with security valve and the pressure gauge.
 Models from 4000 to 10000 are provided with the manhole.

APPLICATION AND TECHNICAL DESCRIPTION

Air cushion pressure vessels. Suitable to supply water to the highest floors of the buildings and to compensate for the water shortage of the water-works. The air cushion pressure vessels Z PED VT are made for the water pumping and they work as a pressurized water lung that, if correctly dimensioned, can limit the self-starting of the pump. These products are made in galvanized mild steel.

ANTI-CORROSION TREATMENT

These tanks are galvanized inside and outside, with immersion in a pool of fused zinc with pureness not below 99,99% (Uni EN 1179)

DOCUMENTS ATTACHED

- CE certification
- User Instructions

CERTIFICATIONS

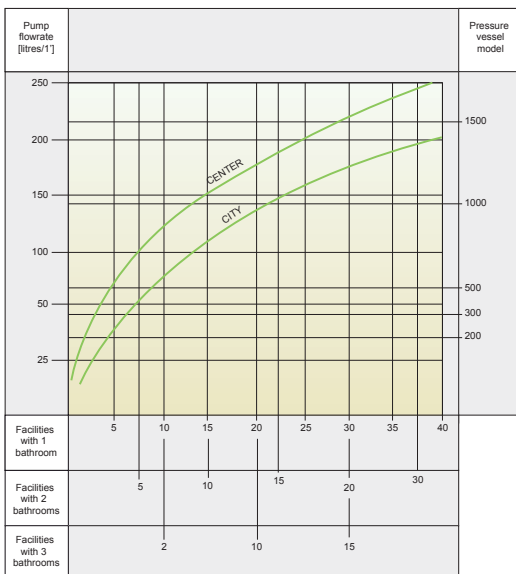
The Z PED VT pressure vessels are made according to the security policy of the standard 2014/68/UE that rules the pressurized products. Under surveillance of the Notified Body, a CE mark is stuck on them as well as the following project data that characterize the product:

- Pressurized fluid: water + air or nitrogen
- Fluid group: 2
- Max operating pressure: see the table chart
- Temperature: -10/+50 °C

WARRANTY

2 years
 See general sales conditions and warranty.

To quickly determine both the capacity of the pressure vessel and the pump according to the number of the flats, you can use the following chart (always valid for 15 self-starting):



AUTOCLAVE Z PED OR

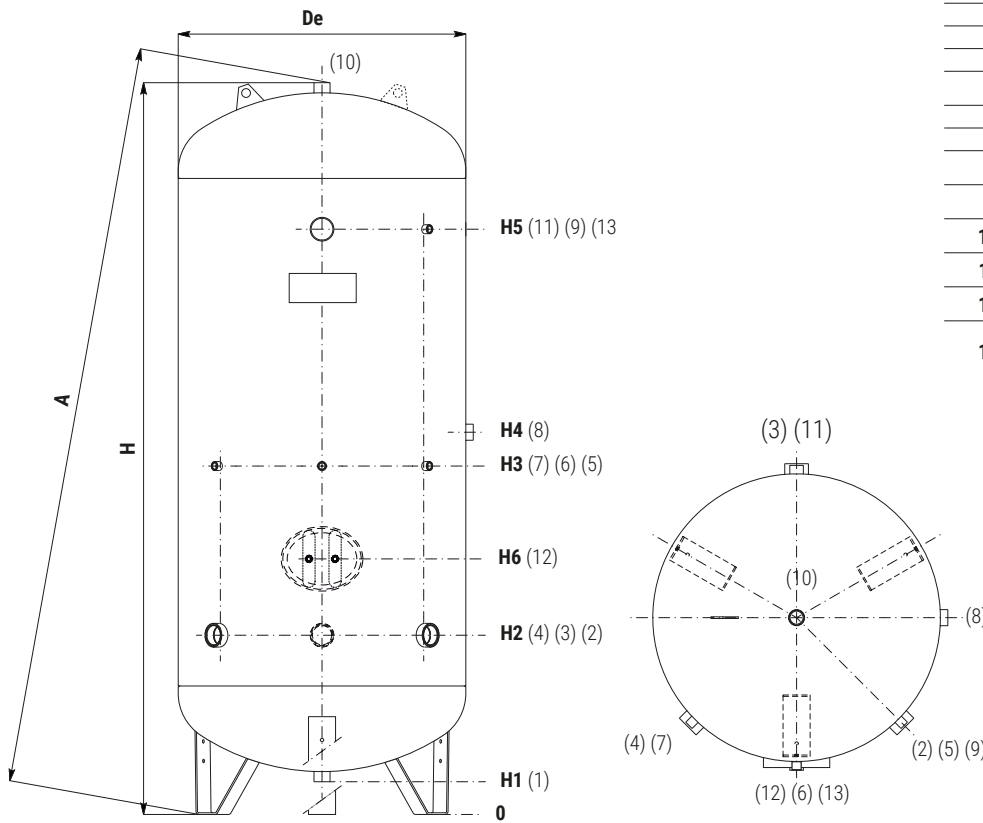
CERTIFIED HORIZONTAL GALVANIZED PRESSURE VESSEL



Model	AUTOCL. Z OR Art. Nr.	Press. max [Bar]	Model	AUTOCL. Z OR Art. Nr.	Press. max [Bar]
100	3052170990001	8	100	3052170990015	11,76
200	3052170990022				
300	3052170990003				
500	3052170990004				
750	3052170990025				
1000	3052170990026		12		
1500	3051170990015				
2000	3051170990016				
3000	3051170990068				
4000	3051170990019				
5000	3051170990020				
100	3052170990015	11,76			
200	3051170990072				
300	3051170990025				
500	3051170990026				
750	3051170990077				
1000	3051170990078	12			
1500	3051170990040				
2000	3051170990030				
2500	3051170990041				
3000	3051170990082				
4000	3051170990042				
5000	3051170990044				

AUTOCLAVE ZINCATA Z PED VT

CERTIFIED VERTICAL GALVANIZED PRESSURE VESSEL (STANDARD 2014/68/UE)



- 1** Drain
- 2**
- 3** Supply - Use
- 4**
- 5** Visual level indicator
- 6** Control features
- 7**
- 8** Level switch - Pressure switch
- 9** Visual level indicator
- 10** Safety Valve
- 11** Level switch - Pressure switch
- 12** Manhole 400 x 300 (if required)
- 13** Instrumentation 2" (only on 8000-10000 Lt)



Model	De	H	A	H1	H2	H3	H4	H5	H6	1-10	2-3-4	11	5-6-7-9	8
										Connections Gas F				
										[mm]				

WORKING PRESSURE 8 bar	100	400	1055	1065	90	350	500	600	800	-	1"1/4	1"	-	1/2"	1" 1/4
	200	450	1420	1435	85	355	655	755	1155	-	1"1/4	1"	-	1/2"	1" 1/4
	300	550	1530	1555	140	435	735	835	1235	-	1"1/4	1" 1/4	-	1/2"	1" 1/4
	500	650	1825	1840	135	455	855	955	1505	-	1"1/4	1" 1/2	-	1/2"	1" 1/4
	750	790	1865	1880	115	515	965	1065	1465	-	1"1/4	1" 1/2	-	1/2"	1" 1/4
	1000	790	2380	2395	110	520	1020	1120	1920	-	1"1/4	1" 1/2	-	1/2"	1" 1/4
	1500	950	2470	2490	115	570	1070	1170	2020	-	2"	2"	-	1/2"	1" 1/4
	2000	1100	2535	2560	100	595	1095	1195	2045	-	2"	2"	-	1/2"	1" 1/4
	2500	1200	2660	2690	140	680	1280	1380	2130	-	2"	3"	-	1/2"	1" 1/4
	3000	1200	3000	3075	135	720	1320	1420	2420	-	2"	3"	-	1/2"	2"
	4000	1450	3000	3030	115	710	1310	1410	2410	-	2"	3"	2"	1/2"	2"
	5000	1450	3500	3525	115	710	1610	1710	2910	-	2"	3"	2"	1/2"	2"
5000	1600	3050	3090	100	725	1325	1425	2425	1025	2"	3"	2"	1/2"	2"	

Models from 100 to 1000 are provided with security valve and pressure gauge. Models 5000 (Ø1600), 8000 and 10000 are provided with the manhole.

WORKING PRESSURE	11,76 bar	100	400	1055	1065	90	350	500	600	800	-	1"1/4	1"	-	1/2"	1" 1/4
		200	450	1420	1435	85	355	655	755	1155	-	1"1/4	1"	-	1/2"	1" 1/4
		300	550	1530	1540	140	435	735	835	1235	-	1"1/4	1" 1/4	-	1/2"	1" 1/4
		500	650	1825	1840	135	455	855	955	1505	-	1"1/4	1" 1/2	-	1/2"	1" 1/4
		750	790	1865	1880	115	515	965	1065	1465	-	1"1/4	1" 1/2	-	1/2"	1" 1/4
		1000	790	2380	2395	110	520	1020	1120	1920	-	1"1/4	1" 1/2	-	1/2"	1" 1/4
	12 bar	1500	950	2490	2515	115	570	1070	1170	2020	-	2"	2"	-	1/2"	1" 1/4
		2000	1100	2535	2560	100	595	1095	1195	2045	-	2"	2"	-	1/2"	1" 1/4
		2500	1200	2660	2690	140	680	1280	1380	2130	-	2"	3"	-	1/2"	1" 1/4
		3000	1200	3000	3075	135	720	1320	1420	2420	-	2"	3"	-	1/2"	2"
		4000	1450	3000	3030	115	710	1310	1410	2410	1011	2"	3"	2"	1/2"	2"
		5000	1450	3500	3525	115	710	1610	1710	2910	1165	2"	3"	2"	1/2"	2"

Models from 100 to 500 are provided with security valve and pressure gauge. Models from 4000 to 10000 Lt are provided with the manhole.

AUTOCLAVE INOX X PED VT

CERTIFIED VERTICAL 316L STAINLESS STEEL PRESSURE VESSEL (DIRECTIVE 2014/68/UE)



HORIZONTAL VERSION



PRESSURE	TEMPERATURE
Pmax	Tmax
8 bar	-10 / +50 °C

AUTOCL. X PED VT	
Model	Art. Nr.
100	3051052010001
200	3051052010002
300	3051052010003
500	3051052010004
750	3051052010005
1000	3051052010006
1500	3051052010007
2000	3051052010008
3000	3051052010009
4000	3051052010010
5000	3051052010011

AUTOCL. X PED OR	
Model	Art. Nr.
100	3051051010001
200	3051051010002
300	3051051010003
500	3051051010004
750	3051051010005
1000	3051051010006
1500	3051051010007
2000	3051051010008
3000	3051051010009
4000	3051051010010
5000	3051051010011

APPLICATION AND TECHNICAL DESCRIPTION

Air cushion pressure vessels.

Suitable to supply water to the highest floor of the buildings and to compensate for the water shortage of the water-works.

The air cushion pressure vessels X PED VT are made for the water pumping and they work as a pressured water lung that, if correctly dimensioned, can limit the self-starting of the pump. These products are entirely made in 316L stainless steel.

DOCUMENTS ATTACHED

- CE certification
- User Instructions

CERTIFICATIONS

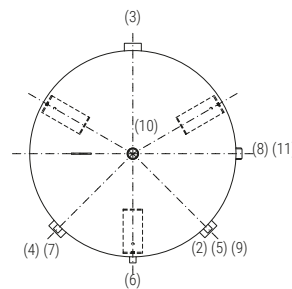
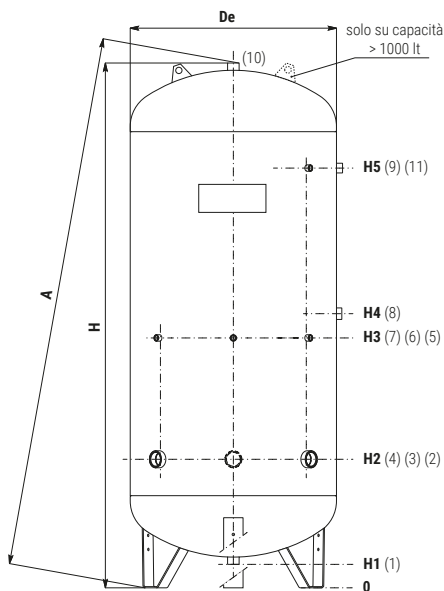
The X PED VT pressure vessels are made according to the security policy of the standard 2014/68/UE that rules the pressurized products. Under surveillance of the Notified Body, a CE mark is stuck on them as well as the following project data that characterize the product:

- Pressurized fluid: water + air or nitrogen
- Fluid group: 2
- Max operating pressure: see the table chart
- Temperature: -10/+50 °C

WARRANTY

2 years

See general sales conditions and warranty.



1	Drain
2-3-4	Input - use
5	Visual level indicator
6-7	Control elements
8	Level switch - Pressure switch
9	Visual level indicator
10	Safety Valve
11	Level switch - Pressure switch



Model	De	H	A	H1	H2	H3	H4	H5	1-8-10	2-3-4	5-6-7-9	11
[mm]												
										Connections Gas F		
100	400	1071	1095	97	372	522	622	797	1" 1/4	1"	1/2"	-
200	450	1459	1490	70	365	665	765	1165	1" 1/4	1"	1/2"	-
300	550	1554	1585	135	445	745	845	1245	1" 1/4	1" 1/4	1/2"	-
500	650	1847	1880	127	462	862	962	1512	1" 1/4	1" 1/2	1/2"	1"
750	750	2133	2170	103	518	968	1068	1718	1" 1/4	2"	1/2"	1"
1000	850	2633	2665	103	518	1168	1268	2218	1" 1/4	2"	1/2"	1"
1500	1000	2295	2350	105	600	1100	1200	1800	1" 1/4	2"	1/2"	1"
2000	1000	2795	2840	105	600	1250	1350	2300	1" 1/4	2"	1/2"	1"
3000	1250	2880	2955	110	645	1245	1345	2345	1" 1/4	3"	1/2"	1"
4000	1450	2973	3070	84	679	1279	1379	2379	1" 1/4	3"	1/2"	1"
5000	1450	3473	3555	84	679	1579	1679	2879	1" 1/4	3"	1/2"	1"